

THIS DRAWING IS UNPUBLISHED.

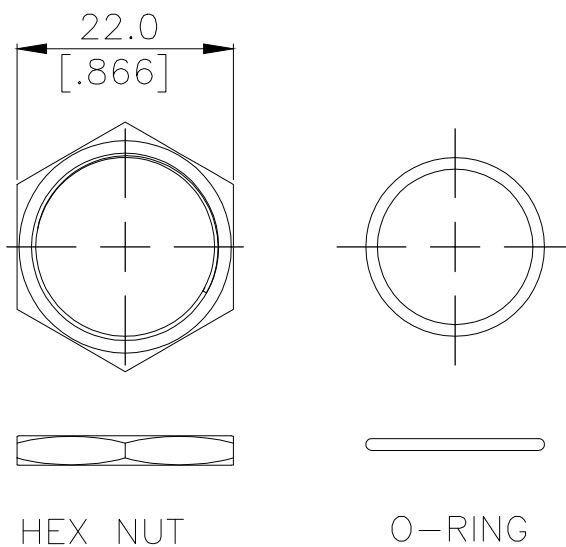
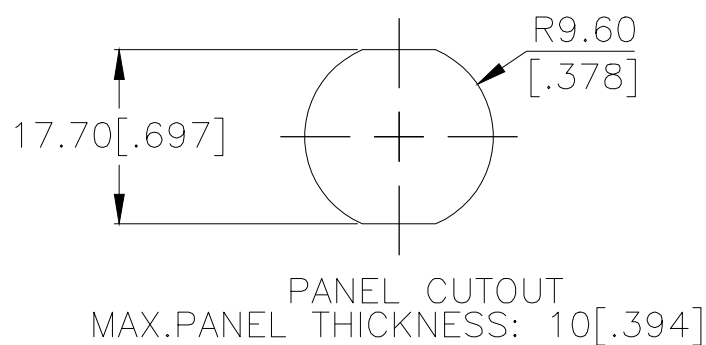
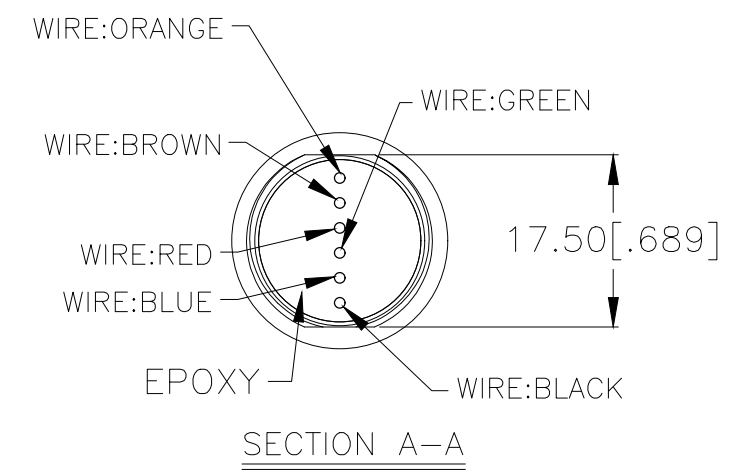
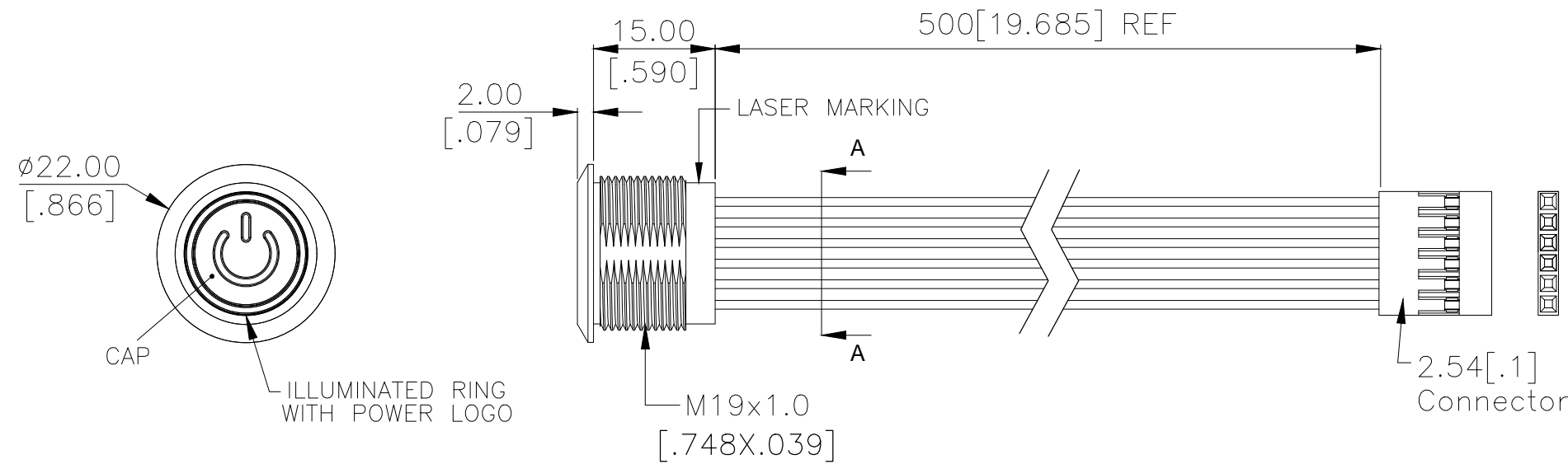
RELEASED FOR PUBLICATION

ALL RIGHTS RESERVED.

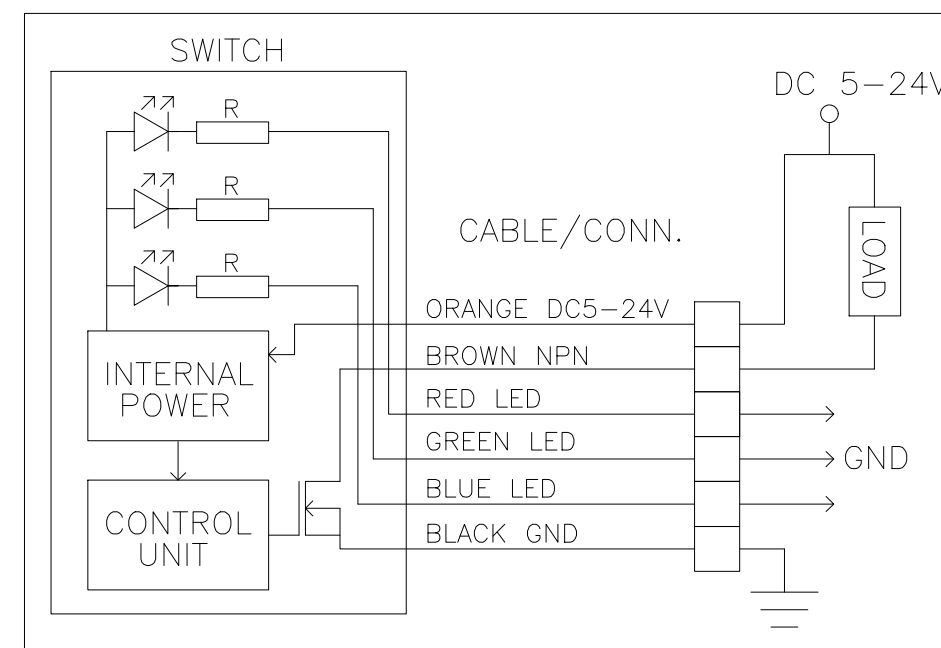
© COPYRIGHT - TE Connectivity Ltd.

REVISIONS

P	LTR	DESCRIPTION	DATE	DWN	APVD
1		NEW DRAWING	28SEP2018	GCM	AS



INDICATOR			
SWITCH	LED		
	RED	GREEN	BLUE
OFF	USER		
ON	USER		



APPLICABLE FOR TE P/N:

2342835-1
2342835-3
2342835-5
2342835-7
2342835-8
2342835-9

THIS DRAWING IS A CONTROLLED DOCUMENT.

DIMENSIONS: mm [INCHES]	TOLERANCES UNLESS OTHERWISE SPECIFIED:
	± -
	± -
	± -
	± -
	± -
	± -
	FINISH

DWN	29SEP2018
CHK	29SEP2018
APVD	29SEP2018
NAME	ALEXANDER SHARPE
PRODUCT SPEC	-
APPLICATION SPEC	-
WEIGHT	-

**PRELIMINARY** **STE** TE Connectivity Ltd.

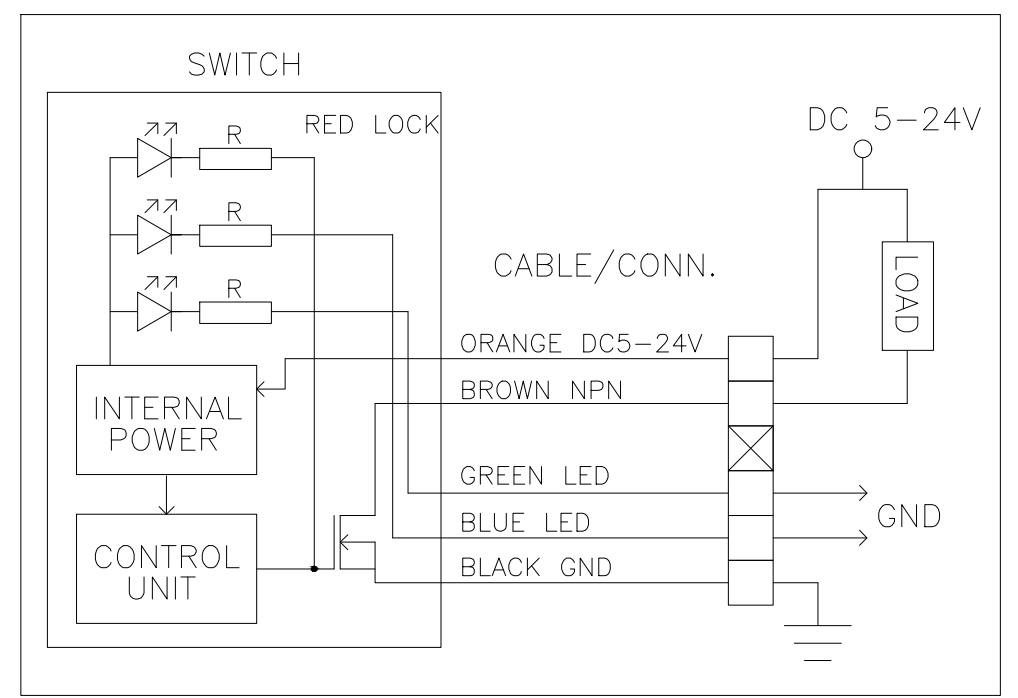
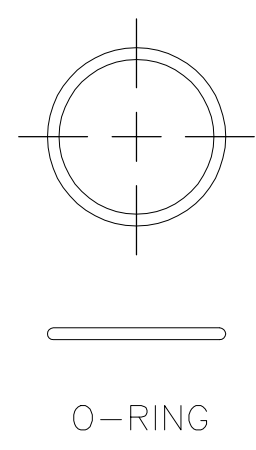
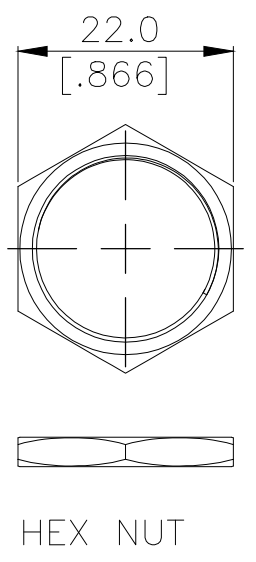
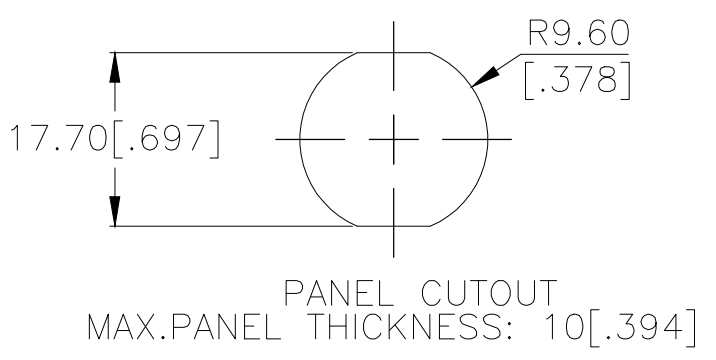
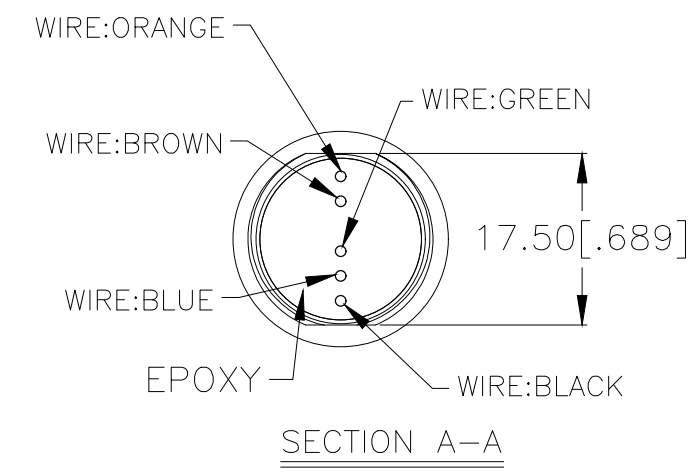
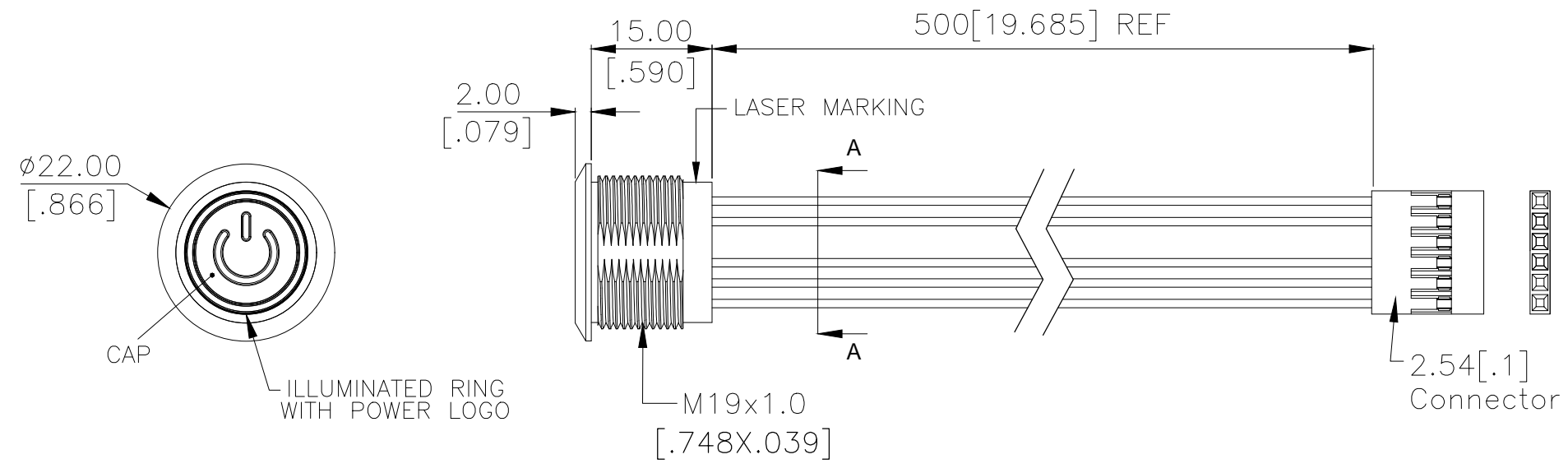
SWITCH,AV,CAPACITIVE,19mm,FL BTN,  
ILLUM RING W/POWER LOGO,LED,  
LEADED W/1x6 REC

**PRELIMINARY**

SIZE	CAGE CODE	DRAWING NO	RESTRICTED TO
A3	00779	C-2342835	-
CUSTOMER DRAWING		SCALE	SHEET
		NTS	1 OF 3
		REV	1

THIS DRAWING IS UNPUBLISHED. RELEASED FOR PUBLICATION  
 © COPYRIGHT - TE Connectivity Ltd. ALL RIGHTS RESERVED.

REVISIONS					
P	LTR	DESCRIPTION	DATE	DWN	APVD
-	-	SEE SHEET 1	-	-	-



APPLICABLE FOR TE P/N:
2342835-2
2342835-4
2342835-6

THIS DRAWING IS A CONTROLLED DOCUMENT.		DWN 29SEP2018 GANESH C M	TE Connectivity Ltd.			
DIMENSIONS: mm [INCHES] 		CHK 29SEP2018 ALEXANDER SHARPE				
TOLERANCES UNLESS OTHERWISE SPECIFIED: 0 PLC ± - 1 PLC ± - 2 PLC ± - 3 PLC ± - 4 PLC ± - ANGLES ± -		APVD 29SEP2018 ALEXANDER SHARPE	NAME SWITCH,AV,CAPACITIVE,19mm,FL BTN, ILLUM RING W/POWER LOGO,LED, LEADED W/1x6 REC			
MATERIAL		PRODUCT SPEC	SIZE	CAGE CODE	DRAWING NO	RESTRICTED TO
FINISH		APPLICATION SPEC	A3	00779	C-2342835	-
CUSTOMER DRAWING			SCALE	SHEET	REV	
			NTS	2 of 3	1	

**PRELIMINARY**

THIS DRAWING IS UNPUBLISHED.

RELEASED FOR PUBLICATION

- . - .

REVISIONS

© COPYRIGHT - TE Connectivity Ltd.

ALL RIGHTS RESERVED.

P	LTR	DESCRIPTION	DATE	DWN	APVD
-	-	SEE SHEET 1	-	-	-

NOTES:

1. SPECIFICATIONS:
  1. OPERATING LIFE: 50 MILLION CYCLE MIN.
  2. CONTACT RESISTANCE: 1Ω MAX.
  3. OPERATING TEMPERATURE: -20°C to 65°C
2. MATERIAL:
  1. SEALING: SILICONE, EPOXY
  2. O-RING: SILICONE
  3. HEX NUT: NICKEL PLATED BRASS
3. PACKAGING:
 

SWITCH ASSEMBLIES ARE INDIVIDUALLY BUNDLED.  
HARDWARE IS NOT ASSEMBLED TO THE SWITCHED.
4. COMPLIANCE:
 

ALL MATERIALS AND FINISHES SHALL COMPLY WITH EU DIRECTIVE  
2002/95/EC OF 27 JAN2003(ROHS).
5. HARDWARE IS SHIPPED UNASSEMBLED.

PC; STAINLESS STEEL	STAINLESS STEEL 316	RGB	MOMENTARY	AVC19MS16FE1DT5A04	2342835-9
PC; STAINLESS STEEL	STAINLESS STEEL 304	RGB	MOMENTARY	AVC19MS04FE1DT5A04	2342835-8
PC; ALUMINUM	ALUMINUM	RGB	MOMENTARY	AVC19MAIOFE1DT5A04	2342835-7
PC; STAINLESS STEEL	STAINLESS STEEL 316	RED LOCK	LOCKING	AVC19LS16FE13T5A04	2342835-6
PC; STAINLESS STEEL	STAINLESS STEEL 316	RGB	LOCKING	AVC19LS16FE1DT5A04	2342835-5
PC; STAINLESS STEEL	STAINLESS STEEL 304	RED LOCK	LOCKING	AVC19LS04FE13T5A04	2342835-4
PC; STAINLESS STEEL	STAINLESS STEEL 304	RGB	LOCKING	AVC19LS04FE1DT5A04	2342835-3
PC; ALUMINUM	ALUMINUM	RED LOCK	LOCKING	AVC19LAI0FE13T5A04	2342835-2
PC; ALUMINUM	ALUMINUM	RGB	LOCKING	AVC19LAI0FE1DT5A04	2342835-1
CAP MATERIAL	BUSHING MATERIAL	LED COLOR	CONTACT CONFIGURATION	TE SMART PART NUMBER	PART NUMBER

THIS DRAWING IS A CONTROLLED DOCUMENT.

DWN 29SEP2018 GANESH C M

CHK 29SEP2018 ALEXANDER SHARPE

APVD 29SEP2018 ALEXANDER SHARPE

PRODUCT SPEC

APPLICATION SPEC

WEIGHT

CUSTOMER DRAWING



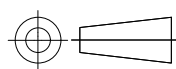
NAME SWITCH,AV,CAPACITIVE,19mm,FL BTN, ILLUM RING W/POWER LOGO,LED, LEADED W/1x6 REC

SIZE A3 CAGE CODE 00779 DRAWING NO C-2342835 RESTRICTED TO -

SCALE NTS SHEET 3 of 3 REV 1

DIMENSIONS: mm [INCHES]

TOLERANCES UNLESS OTHERWISE SPECIFIED:



- 0 PLC ± -
- 1 PLC ± -
- 2 PLC ± -
- 3 PLC ± -
- 4 PLC ± -
- ANGLES ± -

MATERIAL FINISH

PRELIMINARY