

REVISIONS				
P	LTR	DESCRIPTION	DATE	APP'D
J		REVISED PER ECO-17-015513	19DEC2017	PHM CT

- CONNECTOR DIMENSIONS ARE PER ARINC 600 SPECIFICATION.
- CONNECTOR IS SUPPLIED WITH A DUST COVER INSTALLED; NOT SHOWN.
- KEYING SHOWN IN POSITION FOR ILLUSTRATION ONLY. CONNECTORS SHIPPED WITH KEYING INSTALLED IN POSITION PER TABLE. FOR POSITION "00" KEYING HARDWARE SHIPPED UNASSEMBLED.
- SIZE 22, 12, 16 & 20 CONTACTS NOT SHOWN IN FRONT AND REAR VIEWS FOR CLARITY.
- DIMENSION TO CONTACT POST IS WITH CONTACTS FULLY SEATED TO REAR OF CONTACT CAVITIES.
- THE FOLLOWING CONTACTS AND FILLER PLUGS ARE LOADED IN 2221968-1 CONNECTOR:  
 MODULE A:  
 P/N 1663625-1 (SIZE 1 FILLER PLUG; QTY = 2) POSITIONS 3 & 4.  
 P/N 1757669-1 (MODIFIED SIZE 1 COAX PIN ADAPTER; QTY = 2) POSITION 1 & 2  
 MODULE B:  
 P/N 211431-6 (SIZE 22 POSTED CONTACT; QTY = 118)  
 P/N 448540-3 (POSTED SIZE 8 PIN COAX; QTY = 2)  
 MODULE C:  
 P/N 448140-6 (SIZE 12 POSTED CONTACT; QTY = 4) POSITIONS 2, 3, 7 & 8  
 P/N 2-448139-5 (SIZE 16 POSTED CONTACT; QTY = 1) POSITION 9  
 P/N 2-448138-6 (SIZE 20 POSTED CONTACT; QTY = 2) POSITIONS 4 & 6,  
 P/N 1484201-4 (POSTED SIZE 5 PIN COAX; QTY = 2) POSITIONS 12 & 13  
 P/N 1663767-2 (SIZE 20 FILLER PLUG; QTY = 2) POSITIONS 1 & 5.  
 P/N 1663767-3 (SIZE 16 FILLER PLUG; QTY = 2) POSITIONS 10 & 11.
- THE FOLLOWING CONTACTS AND FILLER PLUGS ARE LOADED IN 2221968-2 CONNECTOR:  
 MODULE A:  
 P/N 1663625-1 (SIZE 1 FILLER PLUG; QTY = 2) POSITIONS 3 & 4.  
 P/N 1757669-1 (MODIFIED SIZE 1 COAX PIN ADAPTER; QTY = 2) POSITION 1 & 2  
 MODULE B:  
 P/N 2102065-8 (SIZE 22 STAMPED & FORMED CONTACT W/HOODS; QTY = 118) (NON-REMOVABLE)  
 P/N 448540-3 (POSTED SIZE 8 PIN COAX; QTY = 2)  
 MODULE C:  
 P/N 448140-6 (SIZE 12 POSTED CONTACT; QTY = 4) POSITIONS 2, 3, 7 & 8  
 P/N 2-448139-5 (SIZE 16 POSTED CONTACT; QTY = 1) POSITION 9  
 P/N 2-448138-6 (SIZE 20 POSTED CONTACT; QTY = 2) POSITIONS 4 & 6,  
 P/N 1484201-4 (POSTED SIZE 5 PIN COAX; QTY = 2) POSITIONS 12 & 13  
 P/N 1663767-2 (SIZE 20 FILLER PLUG; QTY = 2) POSITIONS 1 & 5.  
 P/N 1663767-3 (SIZE 16 FILLER PLUG; QTY = 2) POSITIONS 10 & 11.

COMPONENT	MATERIAL	FINISH
SHELL	DIE CAST ALUMINUM PER ASTM-B-85	ELECTROLESS NICKEL PER MIL-C-26074
RETENTION PLATES	ALUMINUM ALLOY PER ASTM-B-209	ELECTROLESS NICKEL PER MIL-C-26074
FLAT HEAD SCREWS	STAINLESS STEEL	PASSIVATED
FLAT HEAD SCREWS (FOR KEYING HARDWARE)	STAINLESS STEEL	RoHS COMPLIANT YELLOW TRIVALENT CHROMATE
POLARIZING KEYS	ZINC ALLOY PER ASTM-B-86	-
POLARIZING KEY RETAINING PLATE	ALUMINUM ALLOY PER ASTM-B-209	BLUE ANODIZED PER MIL-A-8625
C4 INSERT	DIE CAST ALUMINUM PER ASTM-B-85.	ELECTROLESS NICKEL PER MIL-C-26074
120T2 & 13C2 INSERTS	THERMOSET OR THERMOPLASTIC PPS PER MIL-M-24519	-
ALL CONTACTS	COPPER ALLOY	GOLD PLATED TAILS

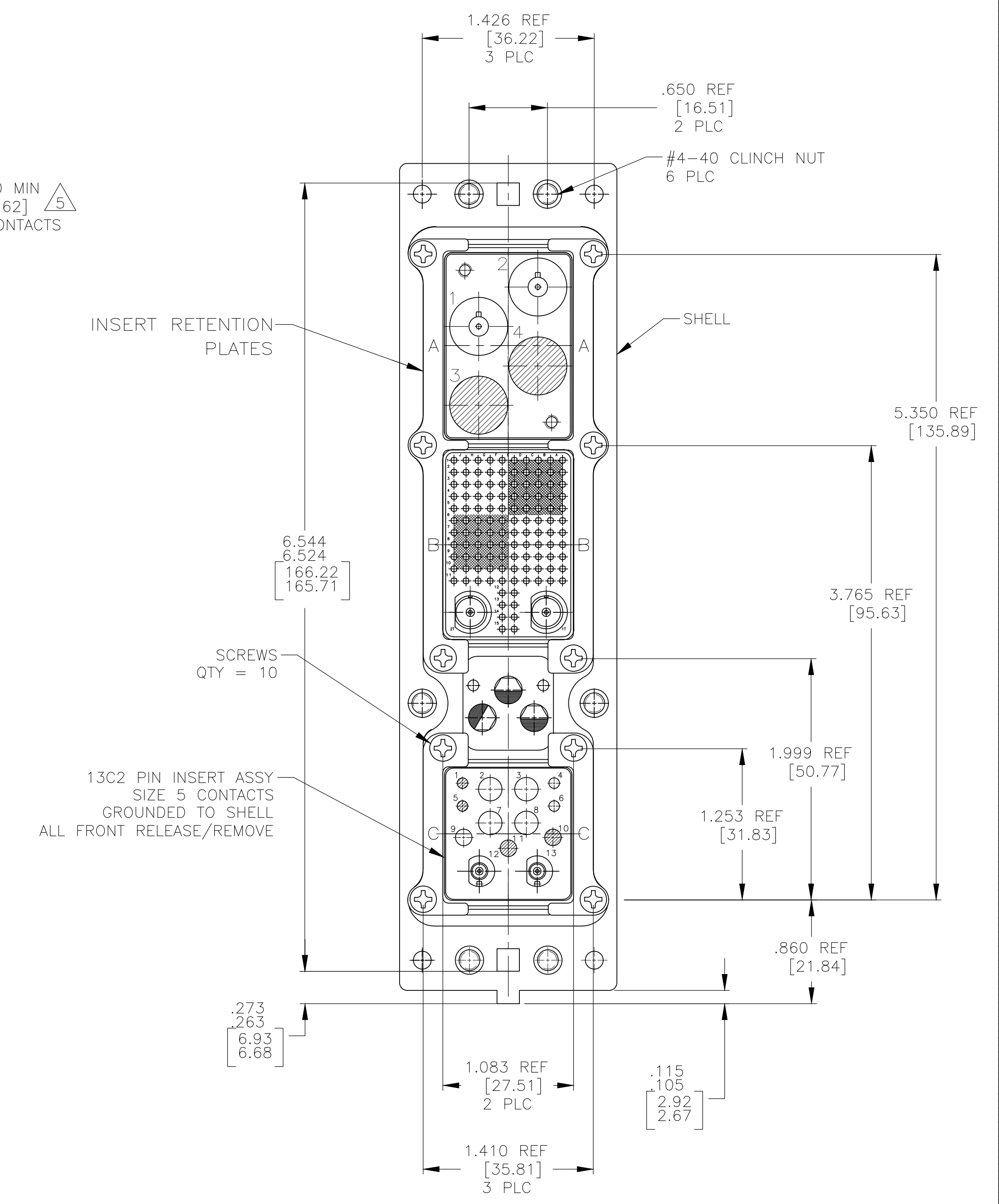
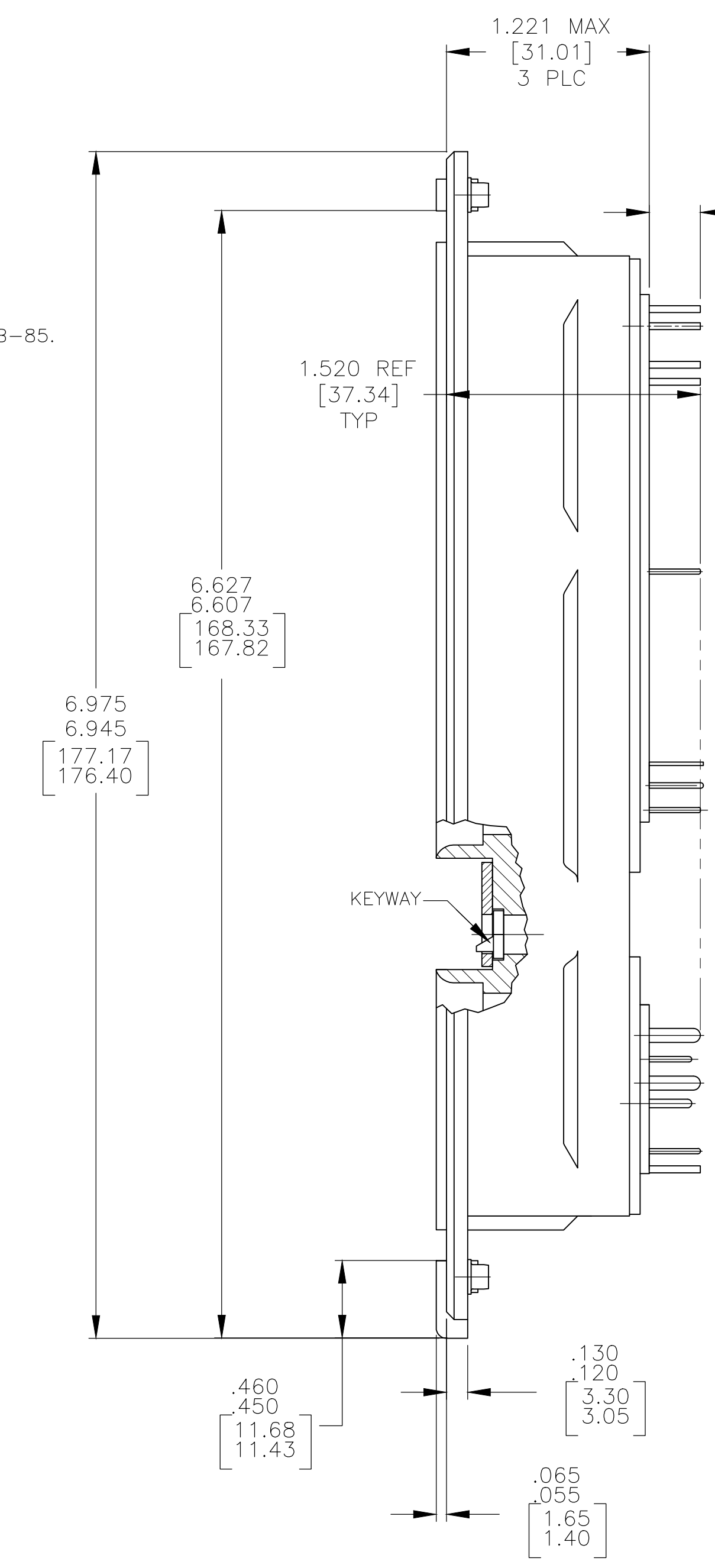
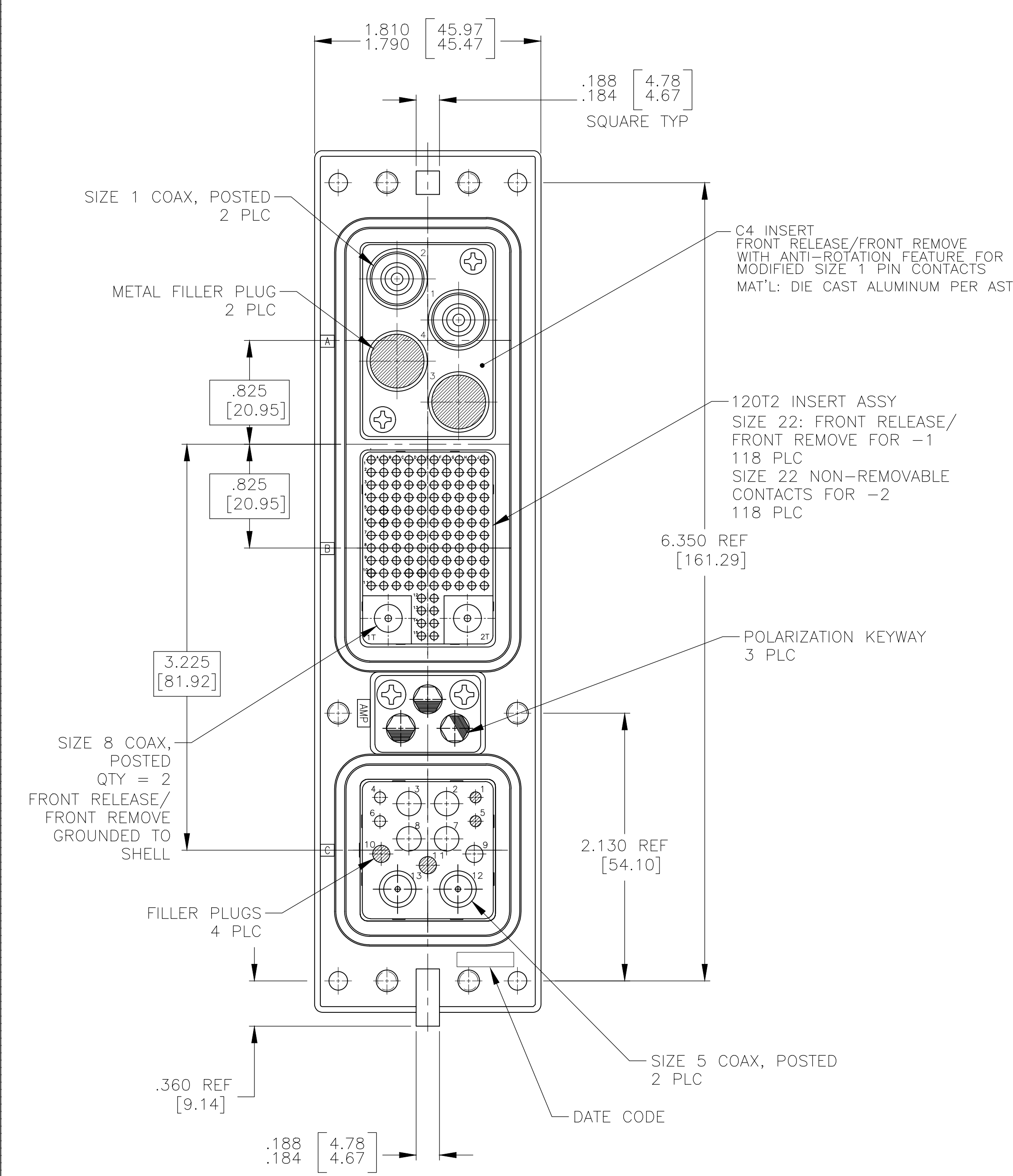
03		2221968-2
03		2221968-1
KEYING POSITION	CONTACTS INCLUDED AND INSTALLED	PART NUMBER

THIS DRAWING IS A CONTROLLED DOCUMENT.

DIMENSIONS: INCHES [mm]	TOLERANCES UNLESS OTHERWISE SPECIFIED:	DIN C.C.THOMAS 12-5-13	DRW W. BERNHART 12-5-13	APVD W. BERNHART 12-5-13	NAME RCPT ASSY, SIZE 2, ARINC 600 (C4/120T2/13C2)
	0. PLC ± - 1. PLC ± - 2. PLC ± - 3. PLC ± .005 (0.13) 4. PLC ± - ANGLES ± -	PRODUCT SPEC	APPLICATION SPEC	SIZE A1	CAGE CODE 00779
MATERIAL SEE TABLE	FINISH SEE TABLE	WEIGHT	RESTRICTED TO	SCALE 3:2	SHEET 1 OF 3

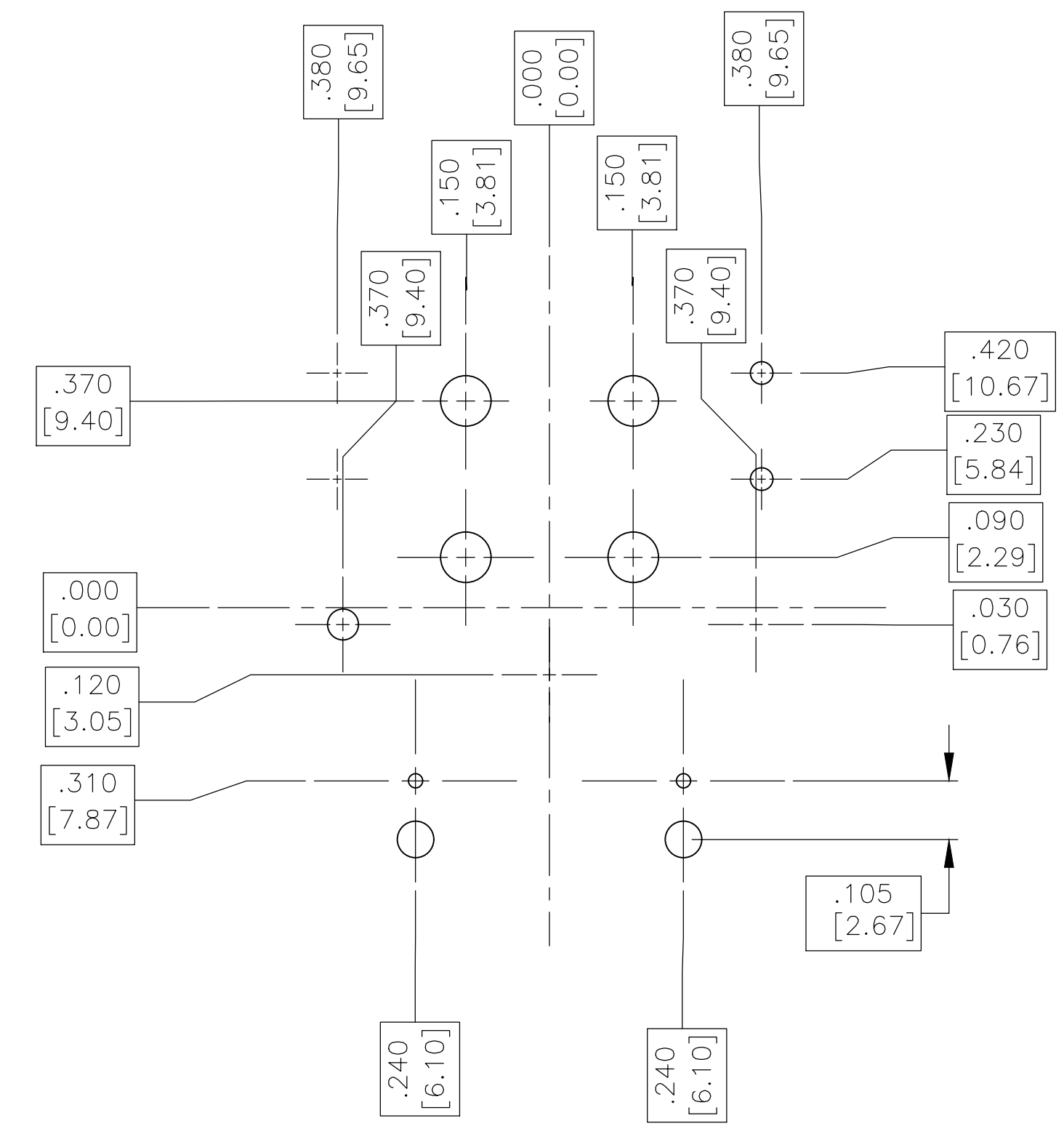
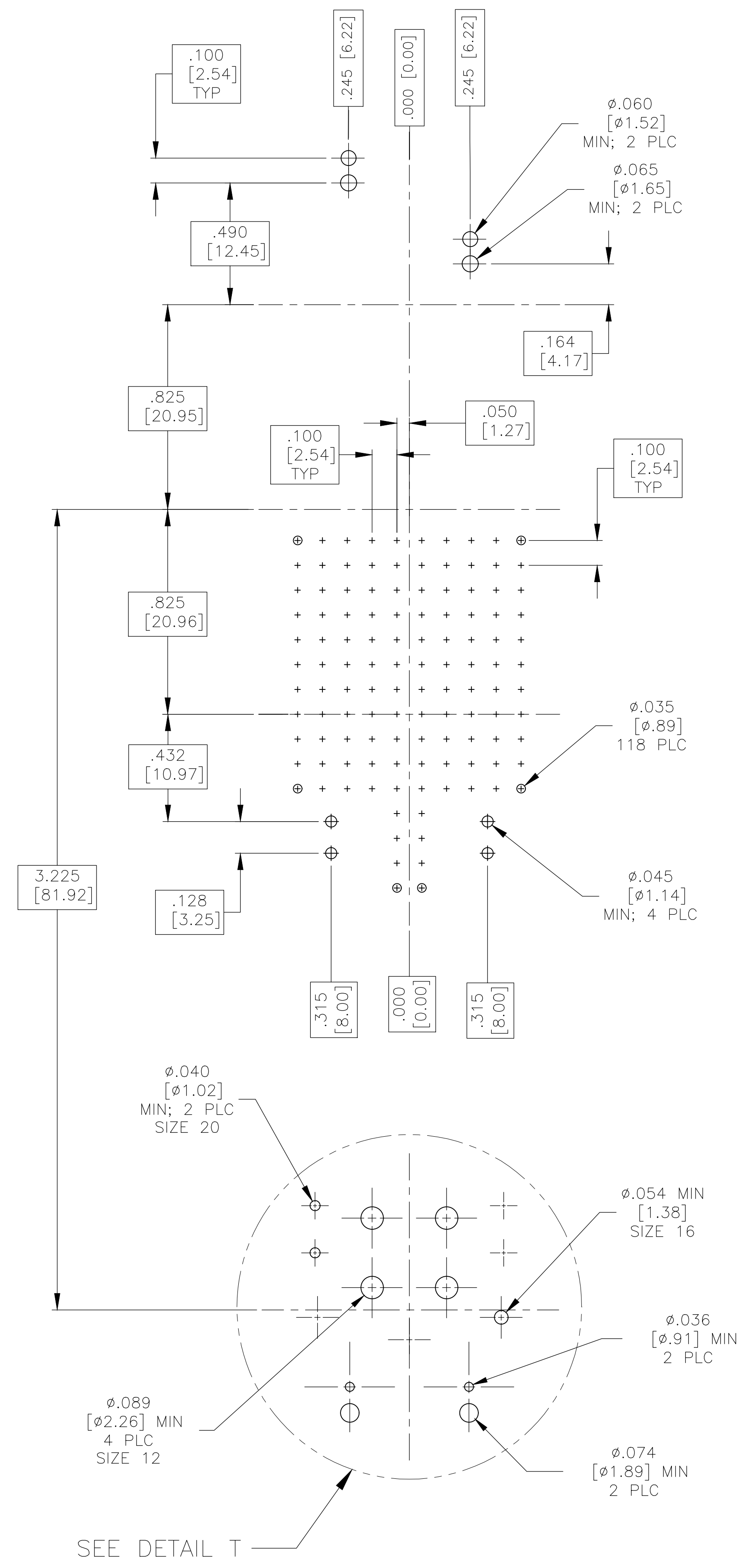
CUSTOMER DRAWING

REVISIONS				
P	LTR	DESCRIPTION	DATE	APPD
-	-	SEE SHEET 1	-	-



THIS DRAWING IS A CONTROLLED DOCUMENT.		DIN C.C.THOMAS 12-5-13	TE Connectivity Ltd.
DIMENSIONS: INCHES [mm]		CHK W.BERNHART 12-5-13	
TOLERANCES UNLESS OTHERWISE SPECIFIED:		APVD W.BERNHART 12-5-13	NAME
0 PLC ± -			RCPT ASSY, SIZE 2, SEALED, ARINC 600 (C4/120T2/13C2)
1 PLC ± -			PRODUCT SPEC
2 PLC ± -			APPLICATION SPEC
3 PLC ± .005 [0.13]			
4 PLC ± -			
ANGLES ± -			
MATERIAL SEE TABLE	FINISH SEE TABLE	WEIGHT -	SIZE CAGE CODE DRAWING NO. RESTRICTED TO
			A1 00779 C=2221968
CUSTOMER DRAWING		SCALE 3:2	SHEET 2 OF 3 REV J

REVISIONS					
P	LTR	DESCRIPTION	DATE	DMN	APVD
-	-	SEE SHEET 1	-	-	-



THIS DRAWING IS A CONTROLLED DOCUMENT.		DIN C.C.THOMAS 12-5-13	TE Connectivity Ltd.																		
DIMENSIONS: INCHES [mm]		CHK W.BERNHART 12-5-13																			
TOLERANCES UNLESS OTHERWISE SPECIFIED:		APVD W.BERNHART 12-5-13	NAME RCPT ASSY, SIZE 2, ARINC 600 (C4/120T2/13C2)																		
<table border="1"> <tr><td>0 PLC</td><td>±</td><td>-</td></tr> <tr><td>1 PLC</td><td>±</td><td>-</td></tr> <tr><td>2 PLC</td><td>±</td><td>-</td></tr> <tr><td>3 PLC</td><td>±</td><td>.005 [0.13]</td></tr> <tr><td>4 PLC</td><td>±</td><td>-</td></tr> <tr><td>ANGLES</td><td>±</td><td>-</td></tr> </table>		0 PLC	±	-	1 PLC	±	-	2 PLC	±	-	3 PLC	±	.005 [0.13]	4 PLC	±	-	ANGLES	±	-	PRODUCT SPEC	APPLICATION SPEC
0 PLC	±	-																			
1 PLC	±	-																			
2 PLC	±	-																			
3 PLC	±	.005 [0.13]																			
4 PLC	±	-																			
ANGLES	±	-																			
MATERIAL SEE TABLE	FINISH SEE TABLE	WEIGHT -	RESTRICTED TO -																		
CUSTOMER DRAWING		SIZE A1	CAGE CODE 00779																		
		DRAWING NO. 2221968	SCALE 3:2																		
		SHEET 3 OF 3	REV J																		