

Part number description :

10134327-XXXLF

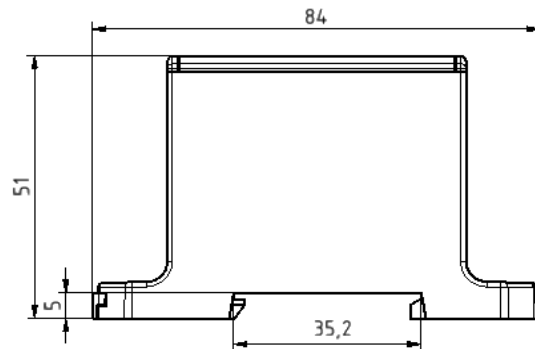
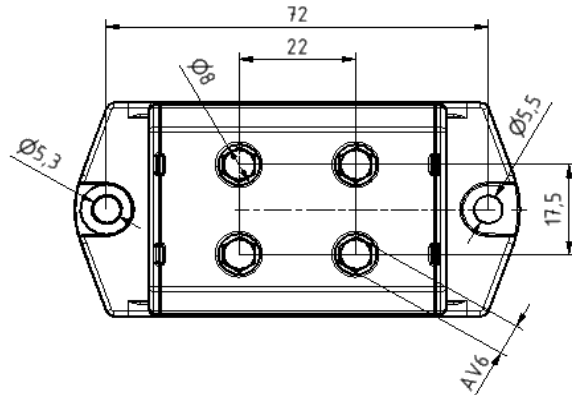
LF: Lead Free, RoHs compliant, see note

XXX : Color ref or/and version

PN	Colour	Version
10134327-001LF	grey	(A) multiple
10134327-002LF	blue	(A) multiple
10134327-003LF	yellow-green	(A) multiple

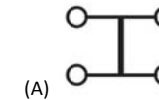
TECHNICAL DATA / DIMENSIONS

Dimensions	
Width mm	42.0
Length mm	84.0
Height mm	46.0
Mounting type (EN 60715)	Omega TH35
Panel mounting	M5 screw
Technical data	
Maximum load current	Cu 490A Al 440A
Insulating material	PA
Self-extinguishing degree acc. to UL94	V2
Nominal Voltage	690V
Nominal Current	490A
Connection data	
Conductor cross-section solid min/max	6 / 95 mm ²
Stripping length	max 20 mm
Screw – recessed Allen screw	M14 – SW6
Tightening torque: 6-25 mm ²	12 Nm
Tightening torque: 35-95 mm ²	22 Nm



APPROVALS

EN60947-7-1
1000V – Cu490A / Al440A



Note : THIS PRODUCT MEETS EUROPEAN UNION DIRECTIVES AND OTHER COUNTRY REGULATIONS AS PER GS-47-0004

ACCESSORIES

Item	Description
DIN RAIL system - Mounting and Installation material	
10134392-001LF	Steel Omega Rail TH35x7,5mm -2mt length
10134393-001LF	Slotted Steel Omega Rail TH35x7,5mm -2mt length
10134394-001LF	Steel Omega Rail TH35x15mm -2mt length
10134395-001LF	Slotted Steel Omega Rail TH35x15mm -2mt length
10134387-001LF	Angled support bracket
10134389-001LF	End Bracket for TH35 Omega rail -Width 9mm
10134390-001LF	End Bracket for TH35 Omega rail -Width 6mm

spec ref	dir Aymeric Soudy 29-06-2015	projection	size A3	scale
tolerance std ISO 406 ISO 1101	eng Aymeric Soudy 29-06-2015		mm	size out of scale
TOLERANCES UNLESS OTHERWISE SPECIFIED				ecn no
surface ISO 1302	chr	appr Aymeric Soudy 29-06-2015	product family DIN Terminal Block	rel level
linear 0.X ± 0.3 0.XX ± 0.1 0.XXX ± 0.05	angular 0° ± 2°	www.fcicon	cat. no.	Product customer drawing
			title SCREW Terminal block Higt current 95 - Multiple	dwg no 10134327
				rev A
				sheet 1 of 1