

THIS DRAWING IS UNPUBLISHED.

RELEASED FOR PUBLICATION

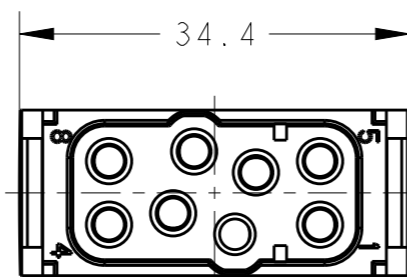
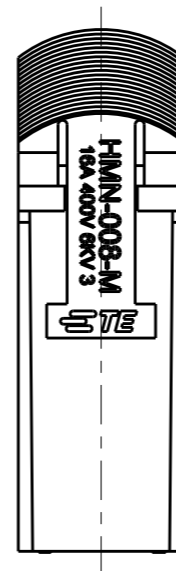
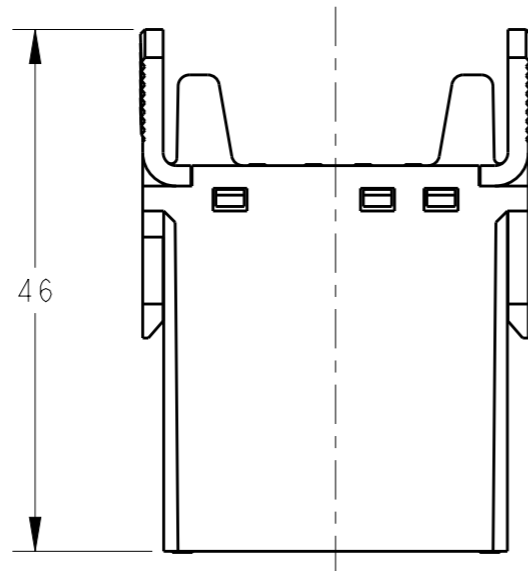
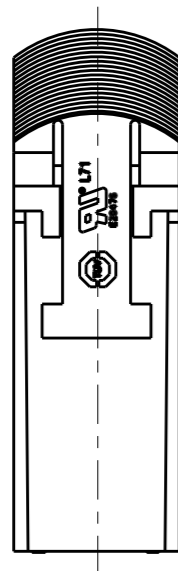
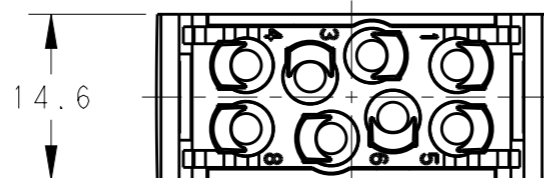
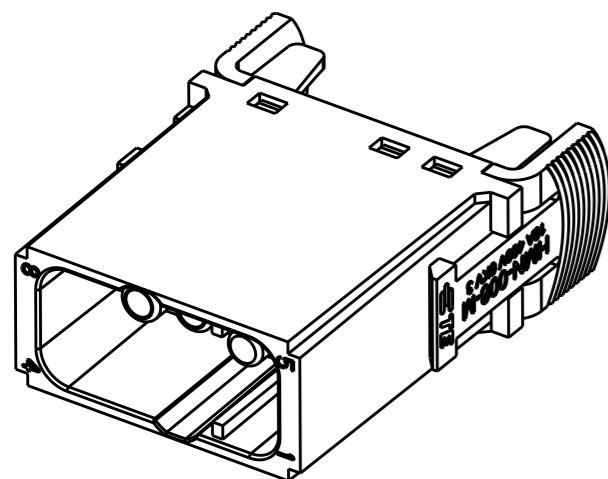
20

© COPYRIGHT 20 BY -

ALL RIGHTS RESERVED.

REVISIONS

P	LTR	DESCRIPTION	DATE	DWN	APVD
	A	INITIAL	25MAR2015	DW	CW
	B	ECR-15-018270	07DEC2015	DW	CW




NOTES:

- TECHNICAL CHARACTERISTICS:
 INSULATION MATERIAL: PC
 RATED VOLTAGE: 400V
 RATED CURRENT: 16A
 INSULATION RESISTANCE: $\geq 400M\Omega$
 RATED IMPULSE VOLTAGE: 6KV
 POLLUTION DEGREE: 3
 FLAMMABILITY: UL94V-0
 MATING CYCLES: 500 CYCLES
 OPERATION TEMPERATURE: $-40\sim+125^{\circ}C$
 WIRE RANGE: $0.14\sim 4\text{ mm}^2$ (26~12 AWG)
 CONTACT TYPE: CRIMP CONTACT
 CONTACT NEED TO BE ORDERED SEPARATELY.
 (ORDER No. REFER TO DRAWING:T20300X10XX000)

注释:

- 技术参数:
 绝缘材料: PC
 额定电压: 400V
 额定电流: 16A
 绝缘电阻: $\geq 400M\Omega$
 额定脉冲电压: 6KV
 污染等级: 3
 阻燃等级: UL94V-0
 插拔次数: 500次
 工作温度: $-40\sim+125^{\circ}C$
 接线范围: $0.14\sim 4\text{ mm}^2$ (26~12 AWG)
 接线类型: 冷压接
- 端子需要单独订购。
 (订货号参考图面: T20300X10XX000)

HMN-008-M	T2111082101-000
DESCRIPTION	PART NUMBER

THIS DRAWING IS A CONTROLLED DOCUMENT.		DWN 25MAR2015 David Wang	 TE Connectivity	
DIMENSIONS: mm		CHK 25MAR2015 Chris Wang		
TOLERANCES UNLESS OTHERWISE SPECIFIED:		APVD 25MAR2015 Xiang Xu	NAME HMN-008-M	
0 PLC \pm		PRODUCT SPEC 108-137061	SIZE A3	
1 PLC \pm		APPLICATION SPEC 114-137061	CAGE CODE 00779	DRAWING NO T2111082101000
2 PLC \pm		WEIGHT -	RESTRICTED TO -	
3 PLC \pm				
4 PLC \pm				
ANGLES \pm				
MATERIAL -			SCALE 3:2	
FINISH -			SHEET 1 OF 1	
		Customer Drawing	REV B	