

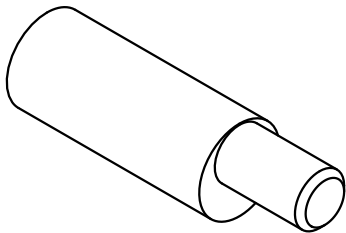
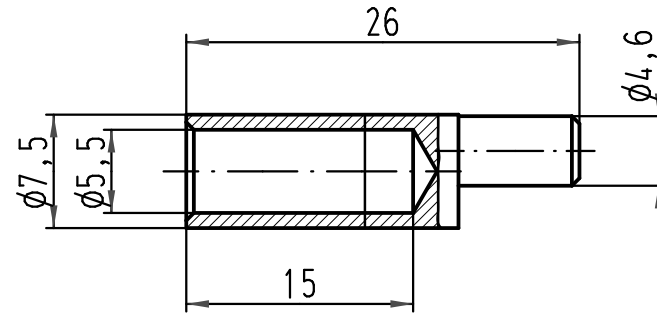
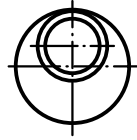
1 2 3 4 5 6

A

B

C

D



| | | | | | | | | | |
|---|------|------|--------------------------------|----------|------|---|--|--|-------------|
| All Dimensions in mm Original Size DIN A 4 | | | Techn. Character. | | | Nicht tolerierte Maße/ Free size tolerances | | | |
| | | | | Dat. | Name | Maßstab/ Scale 2:1 | Han-Modular PE-Anschlußerweiterung Han-Modular grounding contact | | |
| | | | Detail. | 09.02.10 | Pe | | | | |
| | | | Insp. | | Be | | | | |
| | | | Stand. | | | | | | |
| A | | | HARTING Electric GmbH & Co. KG | | | | TB 09 14 000 9912 | | Blatt/ page |
| Mod. | Dat. | Name | D-32339 Espelkamp | | | | Sub. TB 09 14 000 9912 v. 16.04.98 | | |