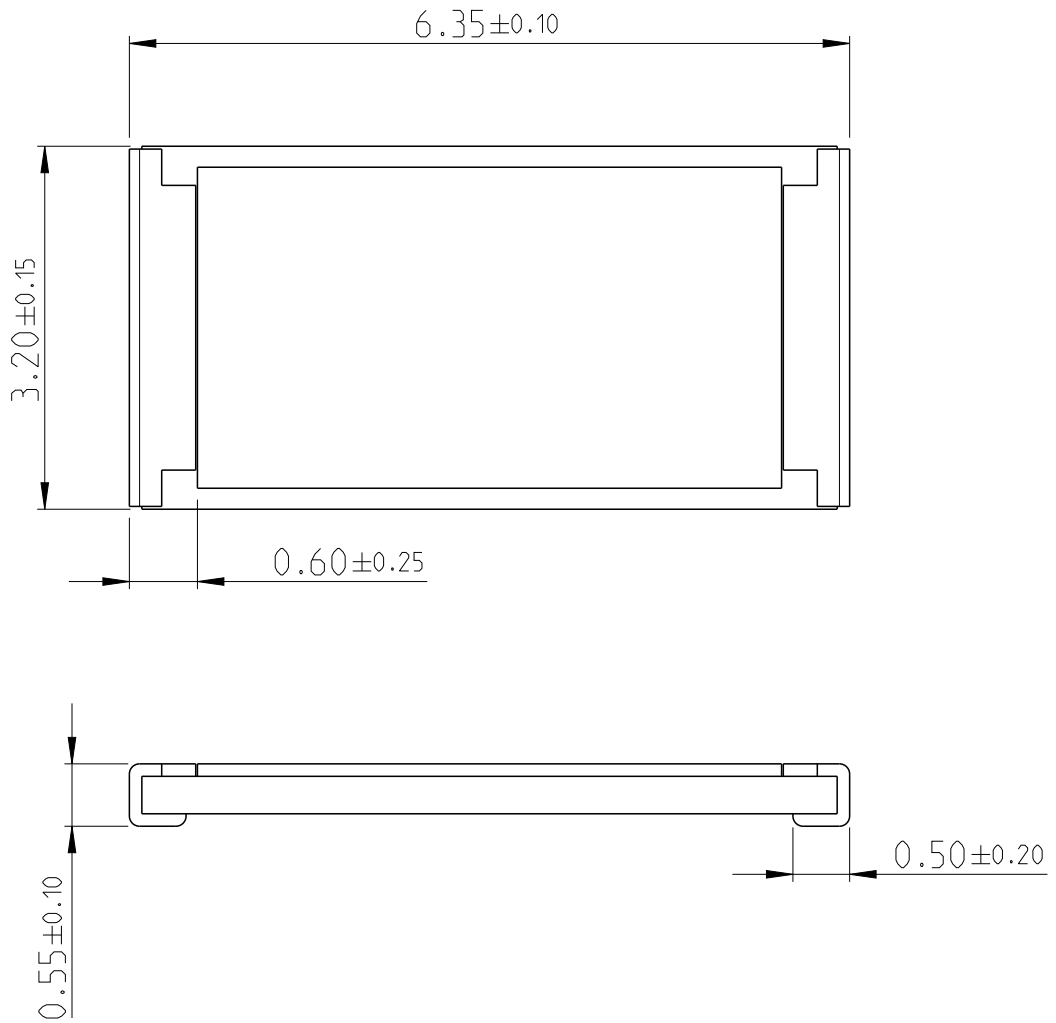
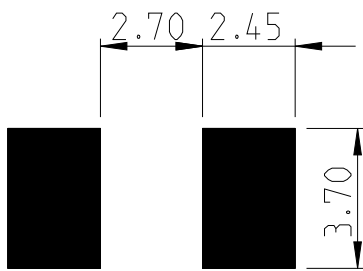


LOC	DIST	REVISIONS					
-	-	P	LTR	DESCRIPTION	DATE	DWN	APVD
		BC	ECR-16-000748		18JAN2016	KR	TN

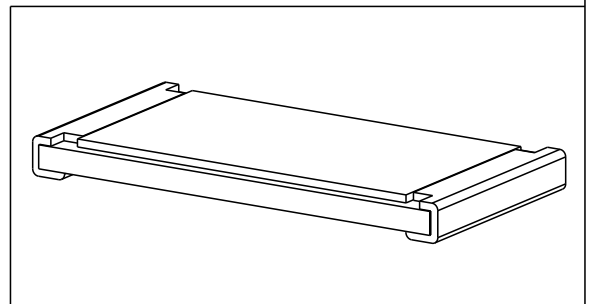


FOR FURTHER INFORMATION SEE DATA SHEET FOR 3521 SERIES



RoHS Compliant



PCB LAYOUT PLAN



20
 RELEASED FOR PUBLICATION
 ALL RIGHTS RESERVED.
 BY -
 COPYRIGHT 20

DIMENSIONS:	DWN	15MAR2012	MATERIAL	FINISH			
mm	DARSHAN MS		-	-			
TOLERANCES UNLESS OTHERWISE SPECIFIED:	CHK	15MAR2012	 TE Connectivity				
0 PLC ±	ALLAN P						
1 PLC ±0.5	APVD	15MAR2012	NAME SMD POWER RESISTORS - TYPE 3521 SERIES				
2 PLC ±0.13	STEPHEN.P						
3 PLC ±0.013	PRODUCT SPEC		SIZE	CAGE CODE	DRAWING NO	RESTRICTED TO	
4 PLC ±0.0001	APPLICATION SPEC		A 4	00779	C-2176071	-	
ANGLES ±	WEIGHT	0.03806 Gram	SCALE		SHEET	OF	REV
	Customer Drawing		40:1		1	1	BC