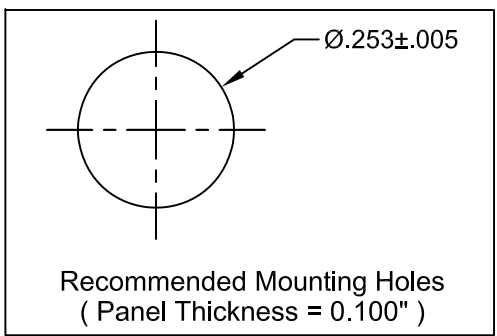


ITEM	Q'TY	PART NUMBER	PART DESCRIPTION
1	1	SMFLP	Adapter, Surface Mount Flexible Light Pipe
2	1	FLP5-XX.X	Lens Cap / FLPS1022-X.XXX Assembly. (X.XXX, Cut Length in Inches)

REV.	DESCRIPTION	DATE	APPROVED
A	Engineering Release.	07/08/08	M. C.
B	Updated Table For Length "L"	11/14/12	M. C.

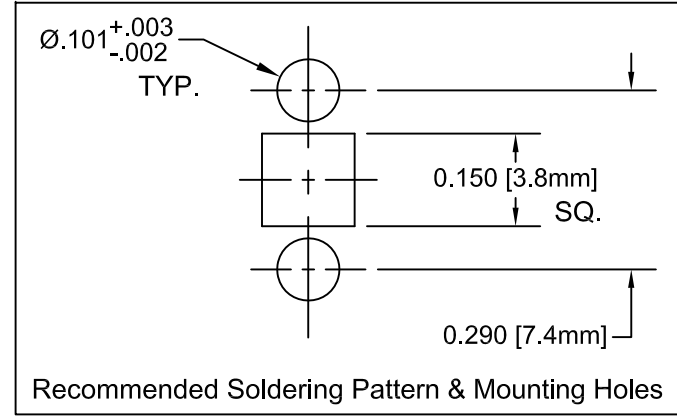
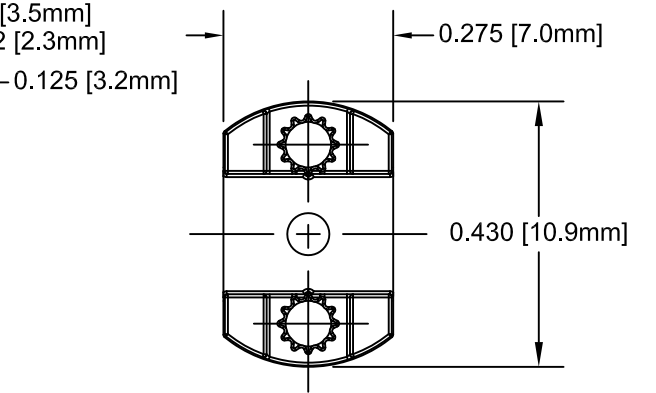


② FLP5-XX.X
(PRE-ASSEMBLED)



" L " *	Tolerance
1.0" ~ 16.0"	±0.050"
16.1" ~ 40.0"	±0.15"
40.1" ~ 80.0"	±0.30"
80.1" ~ 3,940.0"	±0.5%

* Available in 0.1" increments only



NOTE: SMFLP ADAPTER SHIPPED NON-ASSEMBLED

STANDARD TOLERANCE (UNLESS OTHERWISE SPECIFIED)		BIVAR [®] 4 THOMAS, IRVINE, CA. 92618 TEL: (949) 951-8808 FAX: (949) 951-3974	
DECIMALS	ANGULAR		
.X ± .1	X° ± 1°	TITLE: FLEXIBLE LIGHT-PIPE SMD LED ADAPTER ASSY PART NO: SMFLP5-X.X REVISION: B	
.XX ± .02			
.XXX ± .010			
DESIGNED: Brian Oliver	DATE: 07/08/08	CAGE CODE : 32559	SHEET # 1 OF 1
CHECKED: T. Yin	DATE: 07/08/08	CAD GENERATED DOCUMENT, DO NOT MEASURE DRAWING.	