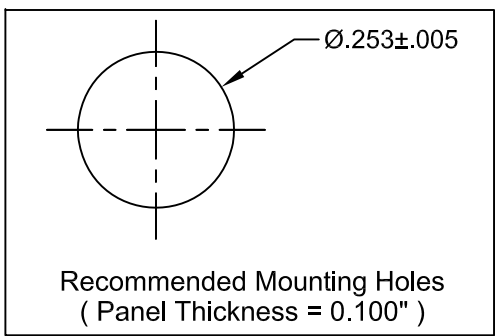


| ITEM | Q'TY | PART NUMBER | PART DESCRIPTION   |
|------|------|-------------|--|
| 1    | 1    | SMFLP       | Adapter, Surface Mount Flexible Light Pipe                         |
| 2    | 1    | FLP5-XX.X   | Lens Cap / FLPS1022-X.XXX Assembly. ( X.XXX, Cut Length in Inches) |

| REV. | DESCRIPTION                  | DATE     | APPROVED |
|------|------------------------------|----------|----------|
| A    | Engineering Release.         | 07/08/08 | M. C.    |
| B    | Updated Table For Length "L" | 11/14/12 | M. C.    |
|      |                              |          |          |
|      |                              |          |          |

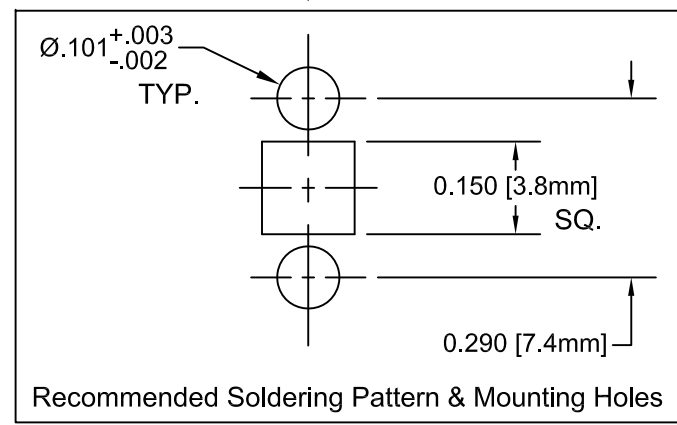


② FLP5-XX.X  
( PRE-ASSEMBLED )



| " L " *          | Tolerance |
|------------------|-----------|
| 1.0" ~ 16.0"     | ±0.050"   |
| 16.1" ~ 40.0"    | ±0.15"    |
| 40.1" ~ 80.0"    | ±0.30"    |
| 80.1" ~ 3,940.0" | ±0.5%     |

\* Available in 0.1" increments only



Recommended Soldering Pattern & Mounting Holes

NOTE: SMFLP ADAPTER SHIPPED NON-ASSEMBLED

|  |                          |   |                       |
|--|--------------------------|---|-----------------------|
| STANDARD TOLERANCE<br>( UNLESS OTHERWISE SPECIFIED ) |                          | <b>BIVAR</b> <sup>®</sup><br>4 THOMAS, IRVINE, CA. 92618<br>TEL: (949) 951-8808 FAX: (949) 951-3974           |                       |
| DECIMALS   | ANGULAR                  |   |                       |
| .X ± .1  | X° ± 1°                  | <b>TITLE:</b> FLEXIBLE LIGHT-PIPE<br>SMD LED ADAPTER ASSY<br><b>PART NO:</b> SMFLP5-X.X<br><b>REVISION:</b> B |                       |
| .XX ± .02  |                          |   |                       |
| .XXX ± .010  |                          |   |                       |
| DESIGNED:<br><b>Brian Oliver</b>                     | DATE:<br><b>07/08/08</b> | <b>CAGE CODE :</b> 32559  | <b>SHEET #</b> 1 OF 1 |
| CHECKED:<br><b>T. Yin</b>                            | DATE:<br><b>07/08/08</b> | CAD GENERATED DOCUMENT, DO NOT MEASURE DRAWING.   |                       |