

PART NAME: KNOB & SKIRT

SCALE: 1:1

DATE: 8/25/99

DR. BY TL

DAVIES MOLDING COMPANY
CAROL STREAM, ILLINOIS 60188

P/N 4109AR

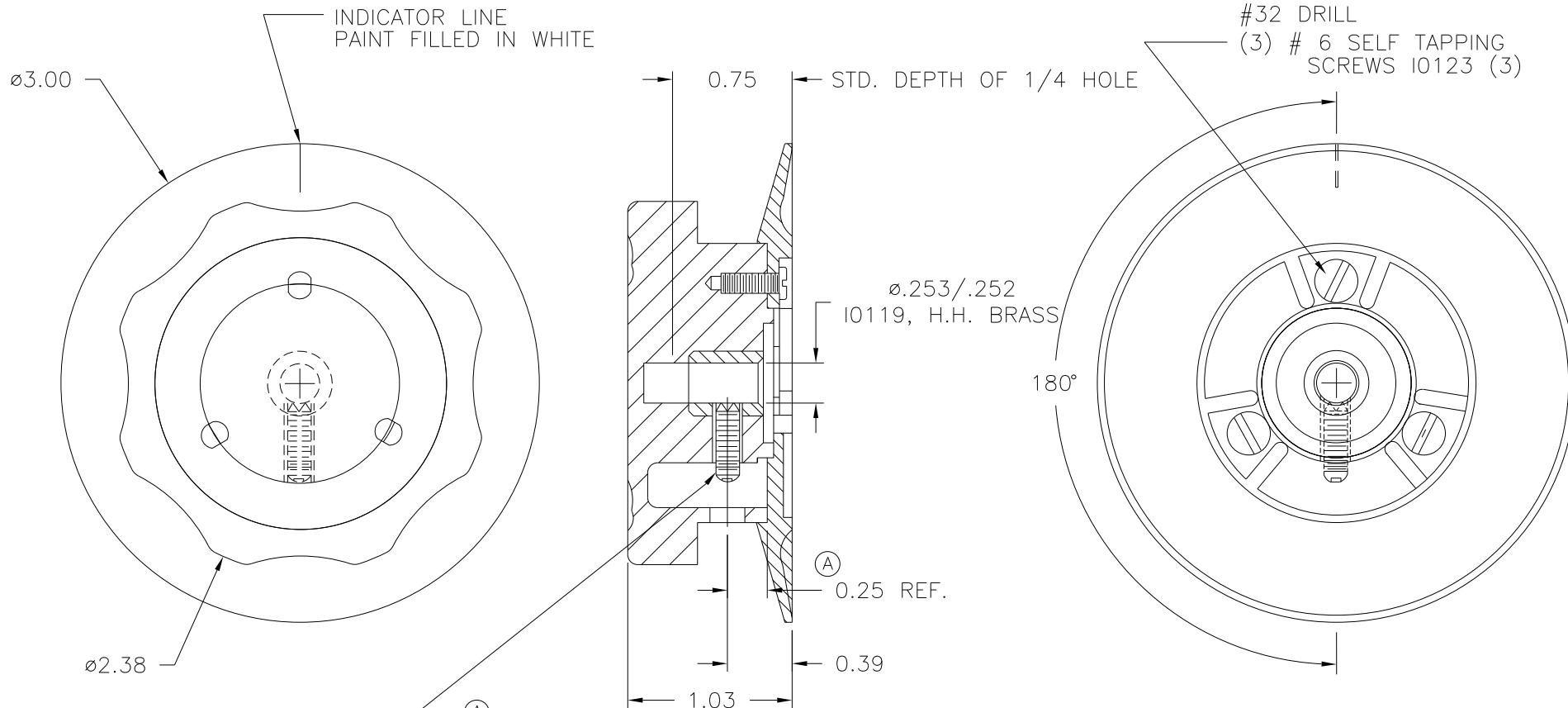
BASE PART 4103-01

SKIRT 4113-M

SCREWS I0123 (3)

SET SCREW I0121

THIS DRAWING IS THE PROPERTY OF DAVIES MOLDING COMPANY, IS SUBMITTED SOLELY AS A DESIGN OR ENGINEERING PROJECT.
WE ACCEPT NO RESPONSIBILITY WHATSOEVER FOR THE PRACTICAL APPLICATION OF THE PIECES MADE TO THIS DESIGN.



(A) $\phi 0.22$ C'SINK & USE #21 DR.(.159 DIA.); # 10-32 TAPPED THREAD.
10-32 THD. X 1/2 LG. CUP POINTED, HEADLESS,
SLOTTED TYPE, SET SCREW I0121 (1)

MATERIAL: G.P. PHENOLIC (B11)
COLOR: BLACK

TOLERANCES: UNLESS OTHERWISE SPECIFIED	DO NOT SCALE DRAWING	B	ADDED DRILL	JAM	10/24/11
DECIMALS: X.XXX \pm .005 X.XX \pm .015	MM: X.XX \pm 0.15MM X.X \pm 0.4MM	A	ADDED DIM.	JAM	10/10/11
FRACTIONS \pm 1/64	ANG. \pm 1°	-	UPDATED TOOLBOX	JAM	2/21/03
CHANGES					