



New Product Announcement

AP3983B/C/D/E/R

High-Performance Primary-Side Power Switcher for Off-Line SMPS

The AP3983B/C/D/E/R is a family of enhanced-performance power switchers delivering improved:

- Conversion efficiency
- Voltage & current accuracy
- Protection functions

The family regulates the output voltage and current on the primary side by piece-wise Pulse Frequency Modulation (p-PFM) in discontinuous conduction mode with an operating frequency up to 80kHz.

The AP3983B/C/D/E/R family has built-in fixed cable voltage compensation. Typical applications include chargers, Data-comms adapters and home appliance power supplies.

The AP3983B/C/R are packaged in SO-7, delivering output powers up to 10W and the AP3983C/D/E are packaged in PDIP-7, delivering powers up to 20W.



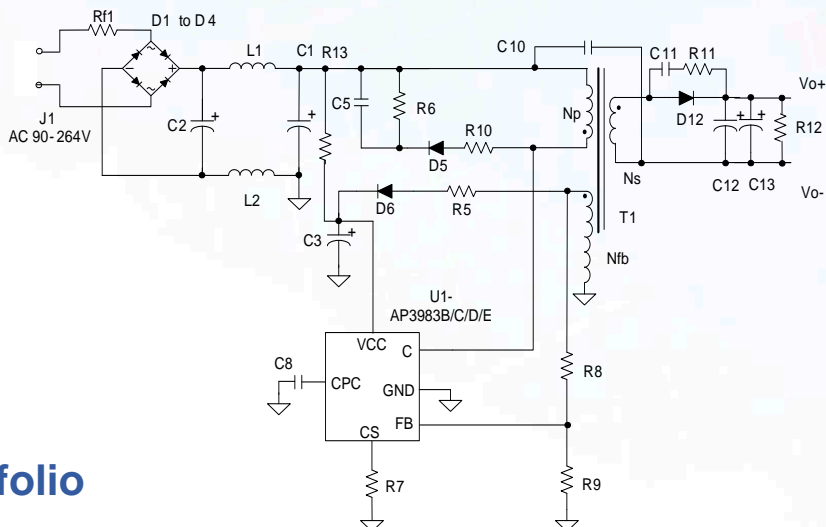
The Diodes Advantage

- **Accurate Primary Side Regulation**
Eliminates Opto-coupler and '431/CC-CV components, reducing overall BOM size and cost
- **Built-in MOSFET:**
650 BV_{DSS} for AP3983B/C/D
700 BV_{DSS} for AP3983E/R
Reduces solution size; High-drain voltage meets wide AC input
- **Internal Output Cable Voltage Drop Compensation**
Reduces external components and solution size
- **Switching Frequency Dithering Function**
Improves EMC performance
- **Multi-Interval Pulse Frequency Modulation**
Avoids audible noise
- **Hiccup Function**
Improves Short Circuit Protection

Applications

- <20W Adapters
- Appliance power supplies
- Data-comms adapters
- Chargers

Typical Application Schematic



Product Portfolio

Part Number	BVDSS (V)	Drain Current (A)	Startup Current (μ A)	Operating Current (μ A)	UVLO Threshold on/off (V)	Power Rating (W)	Standby Power (mW)	Package
AP3983B	650	1	0.6	650	15.5/6.8	Up to 6	75	SO-7
AP3983C	650	2	0.6	650	15.5/6.8	Up to 7.5	75	SO-7
AP3983C	650	2	0.6	650	15.5/6.8	Up to 10	75	PDIP-7
AP3983D	650	4	0.6	650	15.5/6.8	Up to 18	75	PDIP-7
AP3983E	700	5	0.6	650	15.5/6.8	Up to 20	75	PDIP-7
AP3983R	700	5	0.6	650	15.5/6.8	Up to 10	75	SO-7

Family page: http://www.diodes.com/catalog/Primary_Side_Regulation_Switchers_143

Datasheets: <http://diodes.com/datasheets/AP3983R.pdf>
http://diodes.com/datasheets/AP3983B_C_D.pdf

Ordering Information

Part Number	Package	Temperature Range	Marking ID	Packing
AP3983BMTR-G1	SO-7	-40°C to +85°C	3983BM-G1	4,000/Tape & Reel
AP3983CMTR-G1	SO-7	-40°C to +85°C	3983CM-G1	4,000/Tape & Reel
AP3983CP7-G1	PDIP-7	-40°C to +85°C	AP3983CP7-G1	50/Tube
AP3983DP7-G1	PDIP-7	-40°C to +85°C	AP3983DP7-G1	50/Tube
AP3983EP7-G1	PDIP-7	-40°C to +85°C	AP3983EP7-G1	50/Tube
AP3983RMTR-G1	SO-7	-40°C to +85°C	3983RM-G1	4,000/Tape & Reel