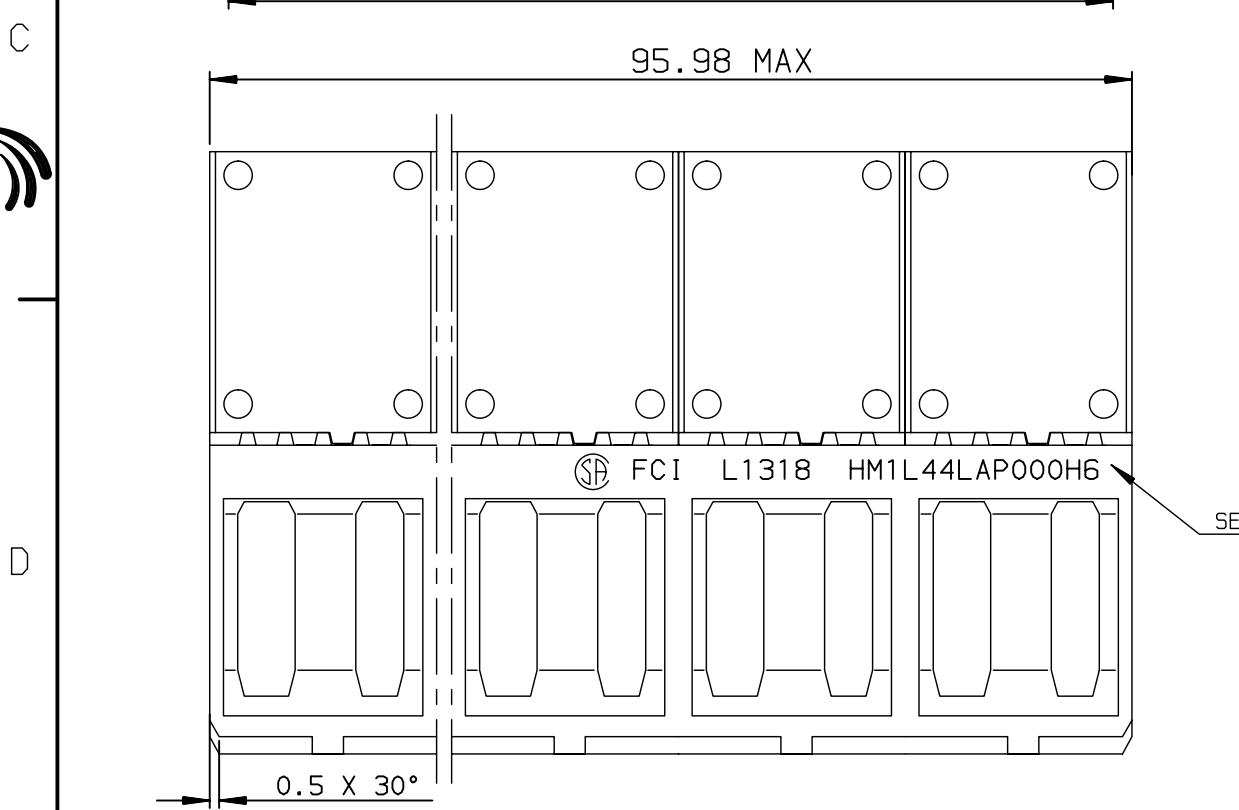
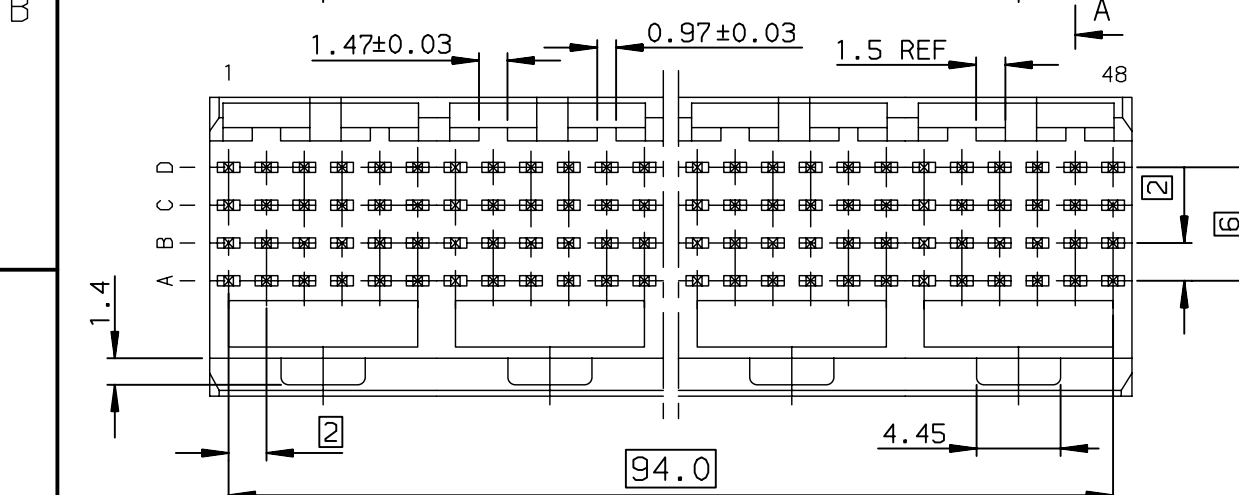
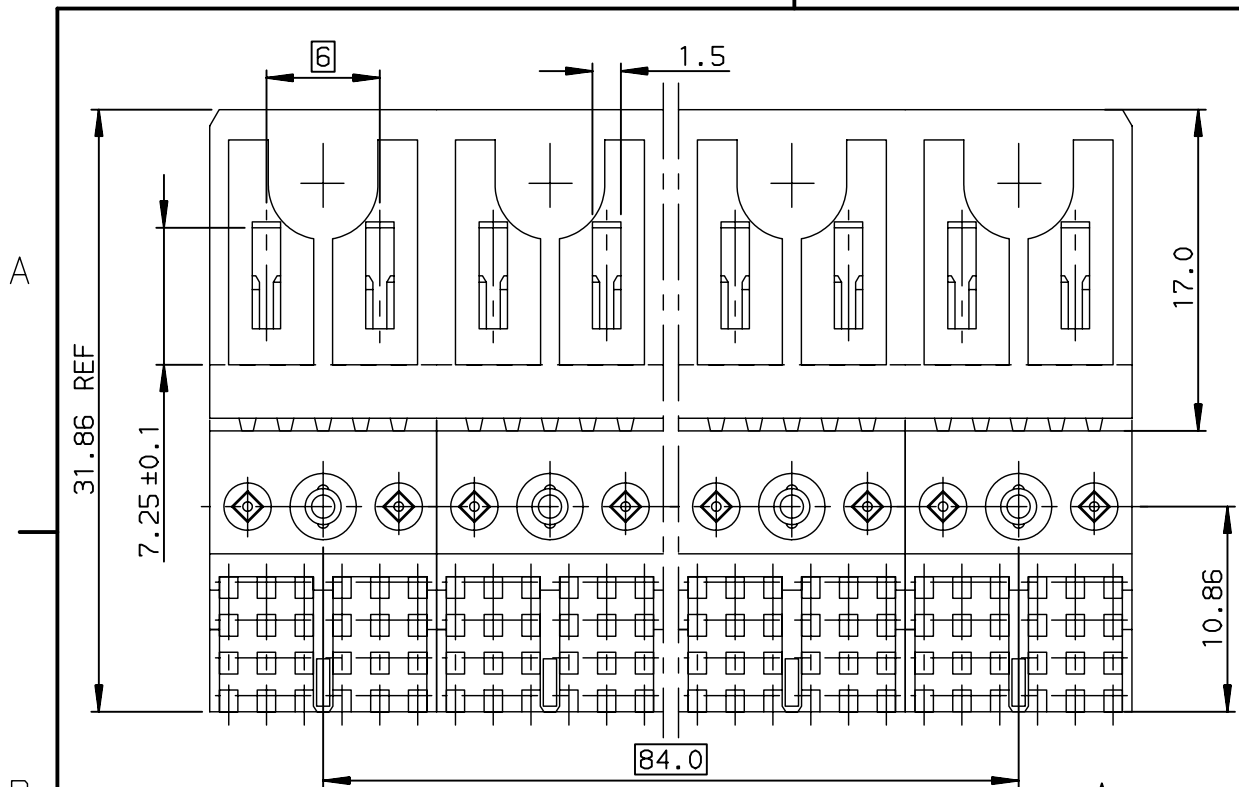


1

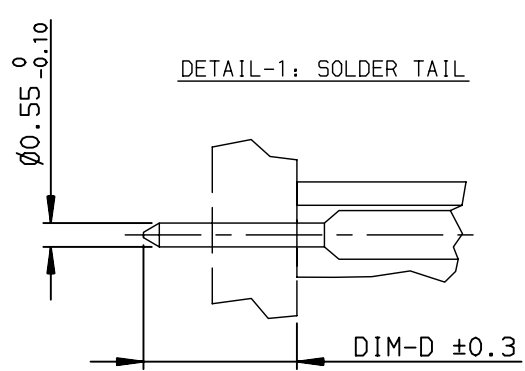
2

3

4



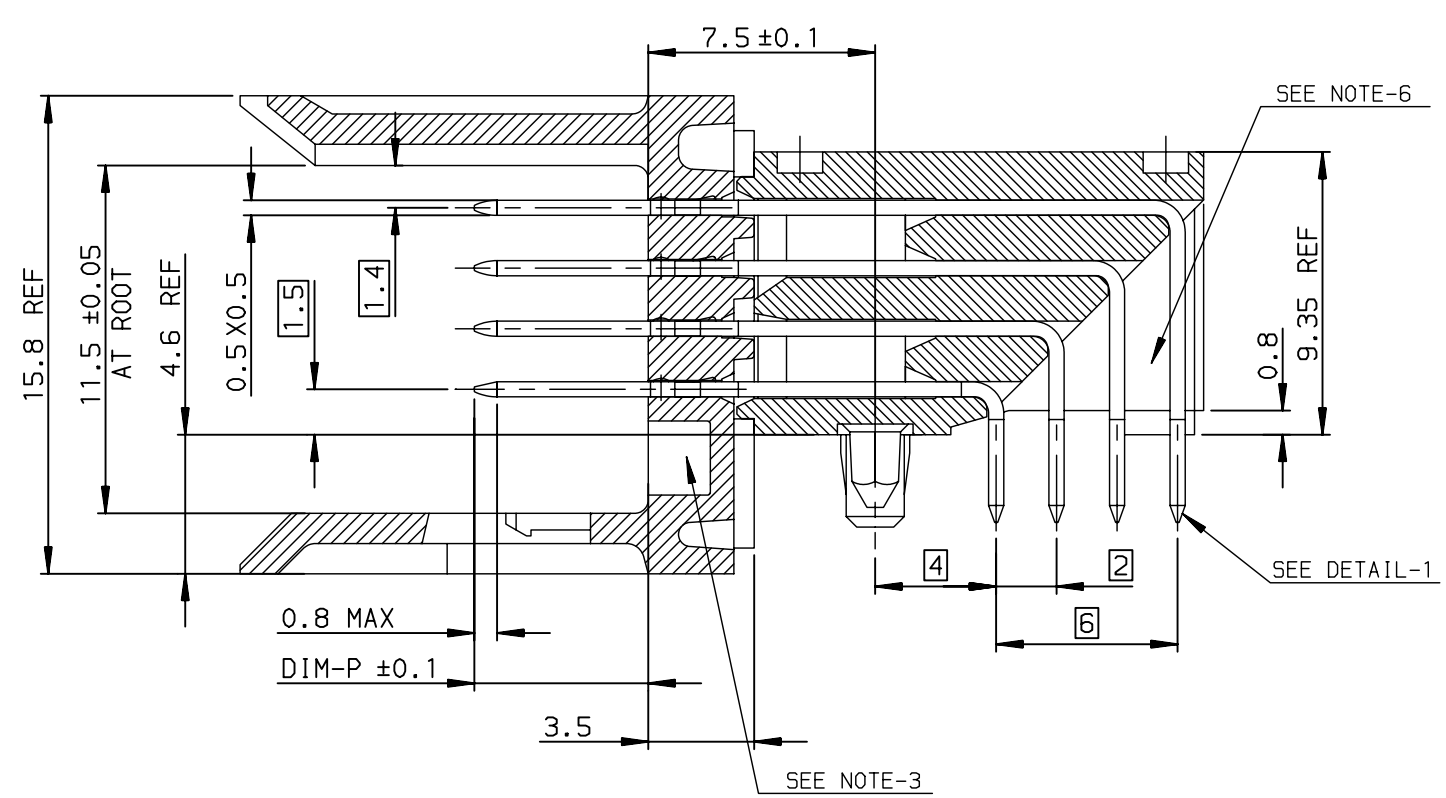
8 MODULE SIZE



GENERAL CHARACTERISTICS AND ROHS INFORMATIONS:  
 SEE PRODUCT SPECIFICATION GS-12-446

- NORMINATIVE REF = IEC-61076-4-104
- NOTE-2: ONE CENTER PEG FOR HOLD DOWN FORCE
- NOTE-3: CODING RECESS FOR 8MM EXTENDED KEYS
- NOTE-4: PRODUCT MARKING = FCI + BATCH CODE + PRODUCT NUMBER
- FOR 8 MODULE SIZE, ADD CSA LOGO MARKING
- NOTE-6: CENTRAL WALL WITH END REAR SUPPORT
- NOTE-7: PACKAGING IN TRAY + COVER
- IF SUFFIX "P" IS ADDED IN P/N PACKAGING IS IN TRAYS BUT CONNECTOR MARKING IS WITHOUT "P"
- EXAMPLE: HM1XXXXXXXXH6P, MARKED HM1XXXXXXXXH6

SECTION-A SCALE: 4/1



OTHERS INFORMATIONS, SEE DRW C-8626-0157-2

European Views

www.fciconnect.com		surface ISO 1302 ✓	tolerance std ISO 406 ISO 1101	projection mm
TOLERANCES UNLESS OTHERWISE SPECIFIED				size A3
Dr	CHAMPION	1995/01/25	ANGULAR	Scale 2.5:1
Eng	LENOIR	1995/01/25	LINEAR	ECN LS07-0184
Chr	LEGARE	1995/01/25	0.XX' ± 2°	Product family METRAL
Appr	LEGARE	1995/01/25	0.XXX ± 0.1	Spec ref -
FCI L1318 HM1L44LAP000H6		title METRAL RA HDR WB CONVERGE		Rev. J
4x48 CTS - STB PUSH PEG		dwg no C-8626-0157-1		sheet 1 of 2
catalog no		CUSTOMER		

rev	ecn no	dr	date
F	-	CHA	2003/07/03
G	LS05-0056	LGO	2005/05/02
H	LS06-0097	LGO	2006/07/21
J	LS07-0184	MLE	2007/07/24
-	-	-	-
-	-	-	-
-	-	-	-

Copyright FCI. FCI

REV F - 2006-04-17

