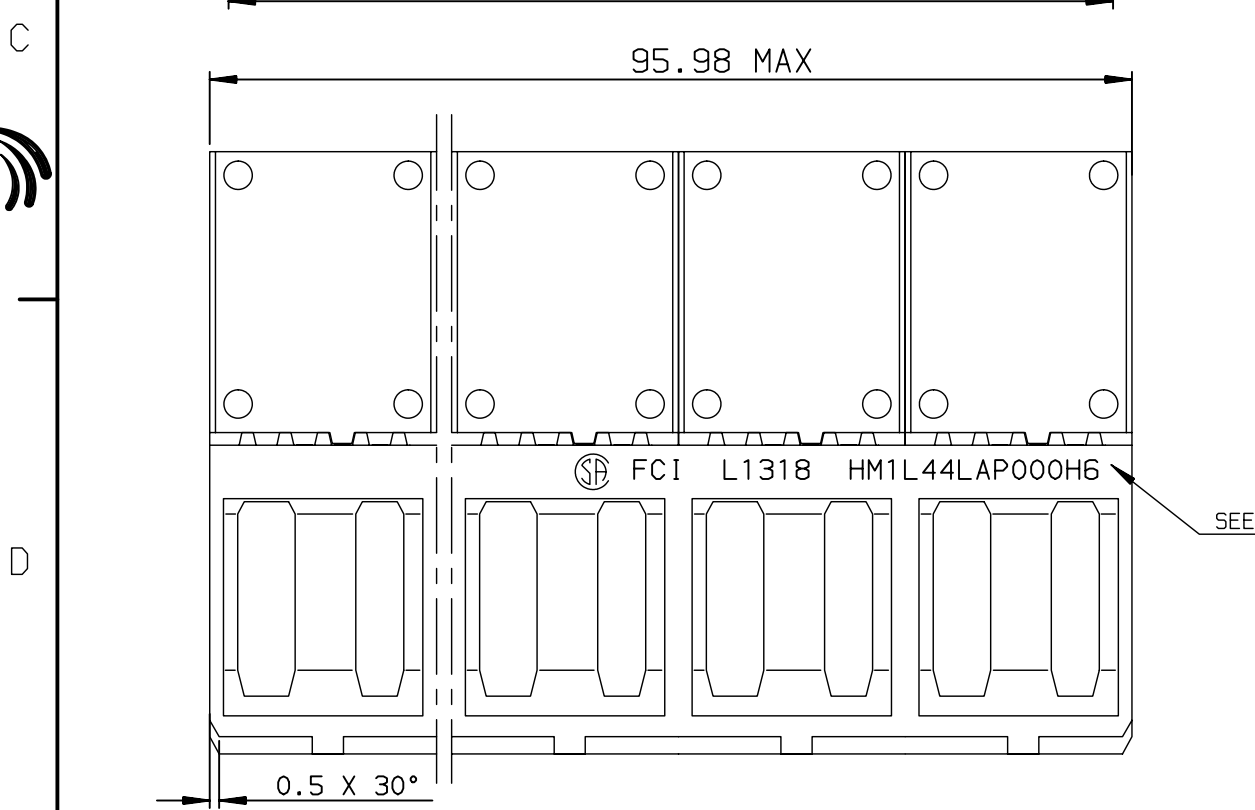
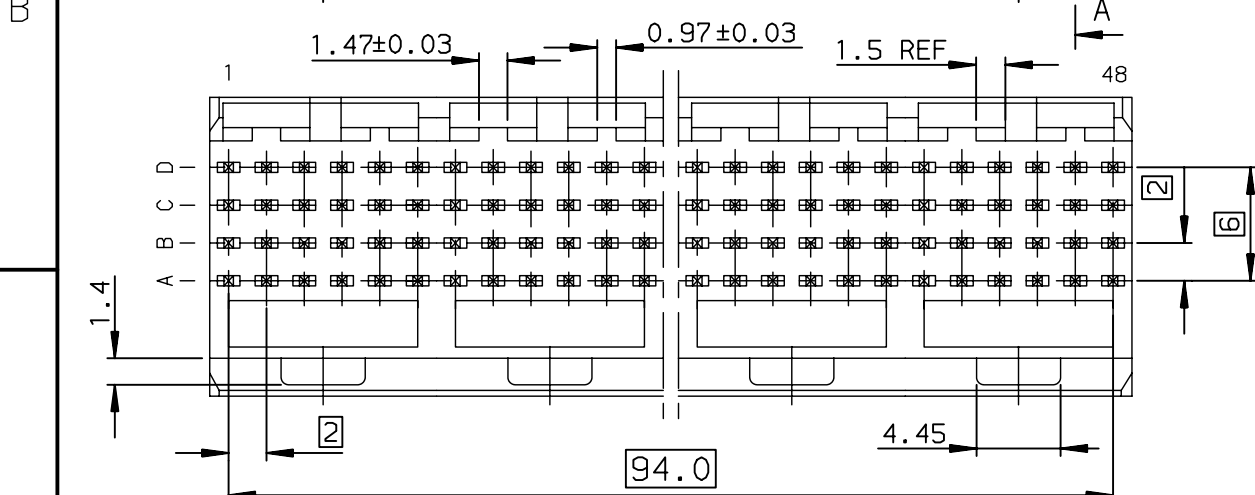
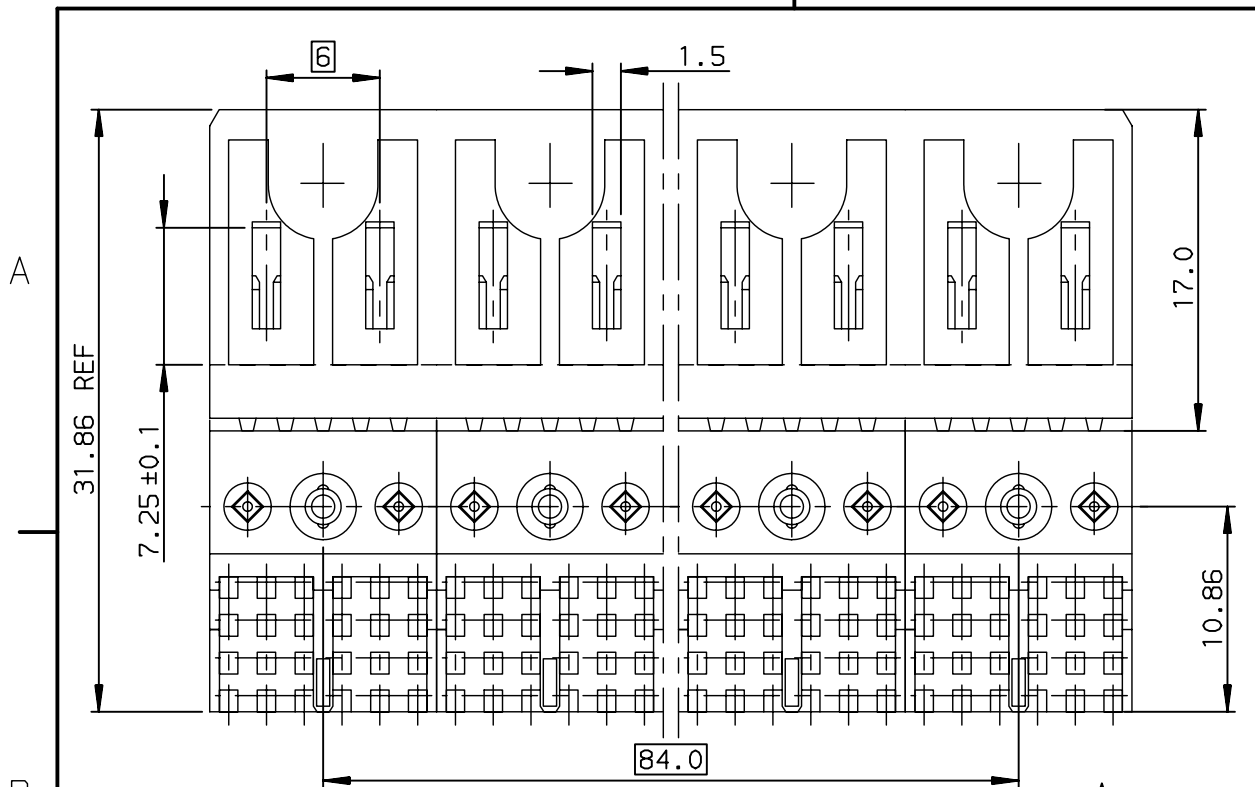


1

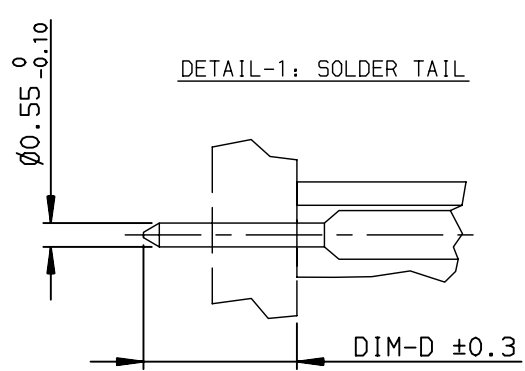
2

3

4



8 MODULE SIZE

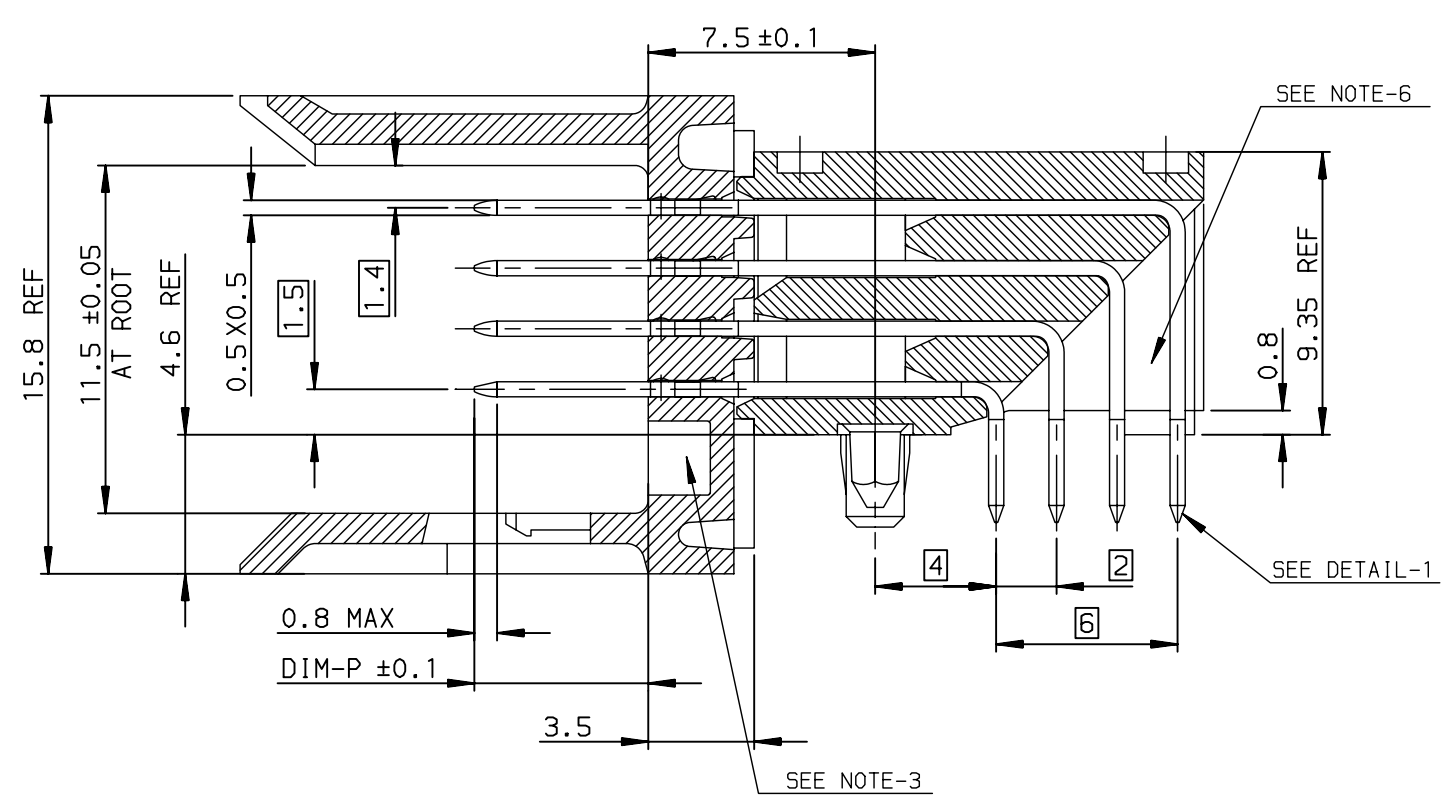


GENERAL CHARACTERISTICS AND ROHS INFORMATIONS:

SEE PRODUCT SPECIFICATION GS-12-446

- NORMINATIVE REF = IEC-61076-4-104
- NOTE-2: ONE CENTER PEG FOR HOLD DOWN FORCE
- NOTE-3: CODING RECESS FOR 8MM EXTENDED KEYS
- NOTE-4: PRODUCT MARKING = FCI + BATCH CODE + PRODUCT NUMBER
- FOR 8 MODULE SIZE, ADD CSA LOGO MARKING
- NOTE-6: CENTRAL WALL WITH END REAR SUPPORT
- NOTE-7: PACKAGING IN TRAY + COVER
- IF SUFFIX "P" IS ADDED IN P/N PACKAGING IS IN TRAYS BUT CONNECTOR MARKING IS WITHOUT "P"
- EXAMPLE: HM1XXXXXXXXH6P, MARKED HM1XXXXXXXXH6

SECTION-A SCALE: 4/1



OTHERS INFORMATIONS, SEE DRW C-8626-0157-2

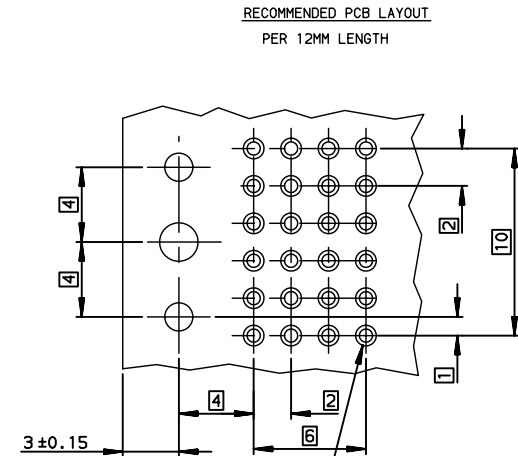
European Views

www.fciconnect.com		surface ISO 1302 ✓	tolerance std ISO 406 ISO 1101	projection mm
TOLERANCES UNLESS OTHERWISE SPECIFIED				size A3
Dr	CHAMPION	1995/01/25	ANGULAR	Scale 2.5:1
Eng	LENOIR	1995/01/25	LINEAR	ECN LS07-0184
Chr	LEGARE	1995/01/25	0.XX' ± 2°	Product family METRAL
Appr	LEGARE	1995/01/25	0.XXX ± 0.1	Spec ref -
rev	ecn no	dr	date	title METRAL RA HDR WB CONVERGE
F	-	CHA	2003/07/03	4x48 CTS - STB PUSH PEG
G	LS05-0056	LGO	2005/05/02	catalog no -
H	LS06-0097	LGO	2006/07/21	dwg no C-8626-0157-1
J	LS07-0184	MLE	2007/07/24	Rev. J
-	-	-	-	CUSTOMER sheet 1 of 2

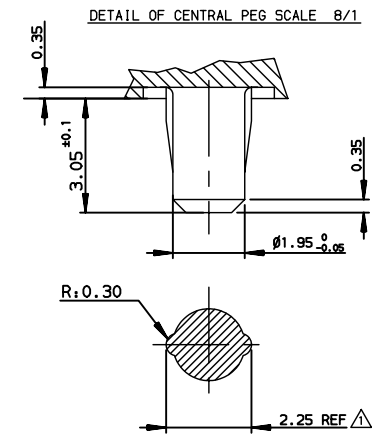
SEE NOTE-4

Copyright FCI. FCI

PART NUMBER / CONTACT LOADING									
DIM-P ±0.10				DIM-D ±0.3	TIN LEAD PART NUMBER AND PERFORMANCE LEVEL	LEAD FREE PART NUMBER AND PERFORMANCE LEVEL	SP N°		
ROW-A	ROW-B	ROW-C	ROW-D						
5.00	5.00	5.00	5.00	TABLE-2	HM1L44AxP000H6P	HM1L44AxP000H6PLF			
5.75	5.75	5.75	5.75	TABLE-2	HM1L44LxP000H6P	HM1L44LxP000H6PLF			
6.50	6.50	6.50	6.50	TABLE-2	HM1L44DxP000H6P	HM1L44DxP000H6PLF			
6.50	5.00	5.00	5.00	TABLE-2	HM1L44BxP000H6P	HM1L44BxP000H6PLF			
6.50	5.75	5.75	6.50	TABLE-2	HM1L44CxP000H6P	HM1L44CxP000H6PLF			
5.00	5.00	6.50	5.00	TABLE-2	HM1L44ZxP110H6P	HM1L44ZxP110H6PLF			110
5.00	5.75	6.50	5.00	TABLE-2	HM1L44ZxP430H6P	HM1L44ZxP430H6PLF			430
5.00	5.75	5.00	5.00	TABLE-2	HM1L44ZxP448H6P	HM1L44ZxP448H6PLF			448
5.75	5.00	5.00	5.00	TABLE-2	HM1L44ZxP009H6P	HM1L44ZxP009H6PLF			009
5.75	6.50	5.75	5.00	TABLE-2	HM1L44ZxP424H6P	HM1L44ZxP424H6PLF			424
6.50	5.75	6.50	5.75	TABLE-2	HM1L44ZxP037H6P	HM1L44ZxP037H6PLF			037
6.50	5.75	5.00	5.75	TABLE-2	HM1L44ZxP102H6P	HM1L44ZxP102H6PLF			102
6.50	6.50	6.50	5.75	TABLE-2	HM1L44ZxP135H6P	HM1L44ZxP135H6PLF			135
6.50	5.75	5.75	5.75	TABLE-2	HM1L44ZxP369H6P	HM1L44ZxP369H6PLF			369

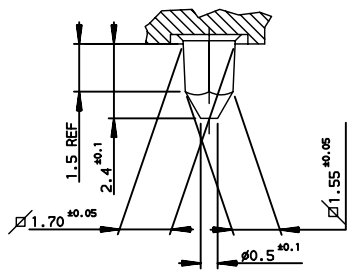


Hole according to product spec  
 6S-12-445 (For press-fit) ,  
 6S-12-446 (For STB)



DIM-D=2.9 / replace 'x' by 'A' in the P/N  
 DIM-D=3.7 / replace 'x' by 'B' in the P/N

DETAIL OF LOCATING PEGS (2x) SCALE 8/1



OTHERS INFORMATIONS, SEE DRW C-8626-0157-1  
 STANDARD MATING LENGTHS = 5.75 (AND 5.00-6.50)  
 STANDARD TERMINATION LENGTH = 2.90

rev	ecn no	dr	date
E	-	CHA	2003/03/17
G	LS05-0056	LGO	2005/05/02
H	LS06-0097	LGO	2006/07/21
J	LS07-0184	MLE	2007/07/24
-	-	-	-
-	-	-	-
-	-	-	-

www.fciconnect.com			surface ISO 1302 ✓	tolerance std ISO 406 ISO 1101	projection mm
TOLERANCES UNLESS OTHERWISE SPECIFIED					
Dr	CHAMPION	1994/06/30	ANGULAR	0.X ±0.1	size A3
Eng	LENOIR	1995/01/25	LINEAR	0.XX ±0.1	Scale 4:1
Chr	LEGARE	1995/01/25		0.XXX ±0.1	ECN LS07-0184
Appr	LEGARE	1995/01/25	Product family	METRAL	Spec ref -
FCI title METRAL RA HDR WB CONVERGE			dwg no C-8626-0157-2		Rev. J
catalog no			CUSTOMER		sheet 2 of 2

European Views

Copyright FCI.