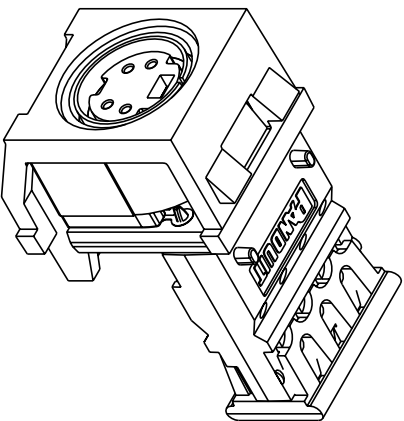
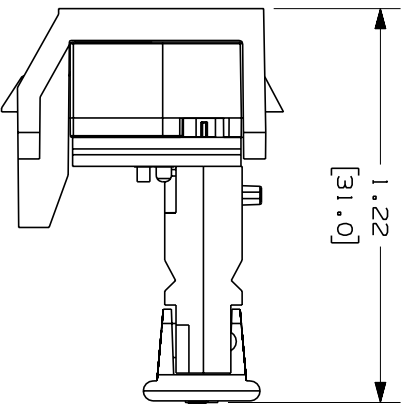
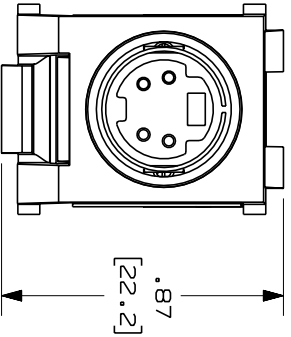
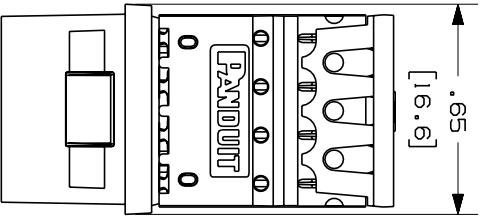


THIS COPY IS PROVIDED ON A RESTRICTED BASIS AND IS NOT TO BE USED IN ANY WAY DETRIMENTAL TO THE INTERESTS OF PANDUIT CORP.

PANDUIT P/N	WEIGHT
NKSPM**	$\triangle c$ (6.0 g/pc)

- NOTES:
- SEE CURRENT CATALOG FOR ADDITIONAL PART SUFFIXES TO INDICATE COLOR AND OR PACKAGE QUANTITY.
  - DIMENSIONS IN PARENTHESIS ARE IN METRIC.



MODEL FILENAME: MO2403AG\_NK\_110\_SVIDEO\_ASSY\_00.PRT  
 DRAWING FILENAME: D38450BC\_DC\_00D.PRT  
 SIZE: A

NETKEY™ S-VIDEO PUNCHDOWN  
 MODULE CUSTOMER DRAWING

REV	DATE	BY	CHK	DESCRIPTION	ECN	R	CUST	SUP	OTH	CHK'D	TRW	MATERIAL	PART NO.	DRAWING NO.
1	09/09/02	JBN	RGRO	RELEASED TO PRODUCTION	38450-02						JHEP	ABS	NKSPM**	38450-02
2	10-18-02	JSP	PBD	A. REVISED TITLE OF DRAWING.	38450-02	PBD	PBD				JHEP	ABS	NKSPM**	38450-02
3	4-19-06	MDJ		C. WEIGHT WAS REVISED. B. REVISED MODULE AND DIMENSIONS.	38450-02						JHEP	ABS	NKSPM**	38450-02
R	06/24/02	JHEP	TRW	DRAWING RELEASED							TRW	ABS	NKSPM**	38450-02

**PANDUIT** CORP.  
 TINLEY PARK, IL 60477

ALL DIMENSIONS ARE GIVEN IN INCHES.  
 DIMENSIONAL TOLERANCES ARE:  
 (.XX) ±.03 ANGLES ±.1°  
 (.XXX) ±.005

WORK INSTRUCTION: N/A  
 SCALE: NONE  
 I.I. NUMBER: N/A  
 PRODUCT SPEC: N/A