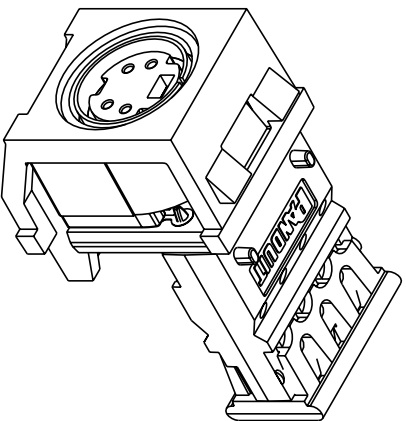
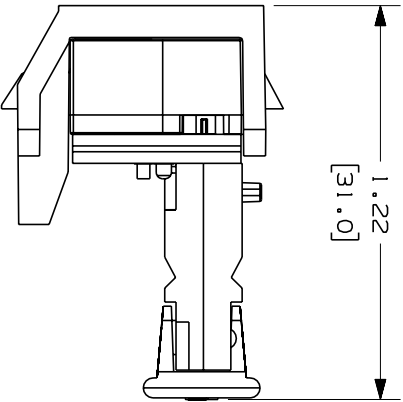
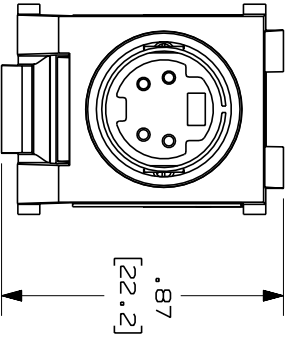
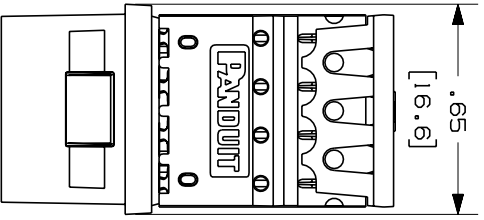


THIS COPY IS PROVIDED ON A RESTRICTED BASIS AND IS NOT TO BE USED IN ANY WAY DETRIMENTAL TO THE INTERESTS OF PANDUIT CORP.

PANDUIT P/N	WEIGHT
NKSPM**	(6.0 g/pc)

- NOTES:
- SEE CURRENT CATALOG FOR ADDITIONAL PART SUFFIXES TO INDICATE COLOR AND OR PACKAGE QUANTITY.
 - DIMENSIONS IN PARENTHESIS ARE IN METRIC.



REV	DATE	BY	CHK	DESCRIPTION	ECN	R	CUST	SUP	OTH
R	06/24/02	JHEP	TRW	DRAWING RELEASED					
1	09/09/02	JBN	RGRO	RELEASED TO PRODUCTION	38450-02				
2	10-18-02	JSP	PBD	A. REVISED TITLE OF DRAWING.	38450-02	PBD	PBD		
3	4-19-06	MDJ		C. WEIGHT WAS REVISED. B. REVISED MODULE AND DIMENSIONS.	38450-02				

MODEL FILENAME: MO2403AG_NK_110_SVIDEO_ASSY_00.PRT
 DRAWING FILENAME: D38450BC_DC_00D.PRT
 SIZE: A

NETKEY™ S-VIDEO PUNCHDOWN
 MODULE CUSTOMER DRAWING

TINLEY PARK, IL 60477
PANDUIT CORP.
 ALL DIMENSIONS ARE GIVEN IN INCHES.
 DIMENSIONAL TOLERANCES ARE:
 (.XX) ±.03 ANGLES ±.1°
 (.XXX) ±.005
 (.XXX) ±.01

1.1. NUMBER: N/A
 PRODUCT SPEC: N/A
 WORK INSTRUCTION: N/A
 SCALE: NONE
 PART NO.: NKSPM**

DATE: 6/24/02
 DRAWN BY: JHEP
 CHECKED BY: TRW

ABS
 DRAWING NO.: 38450-02