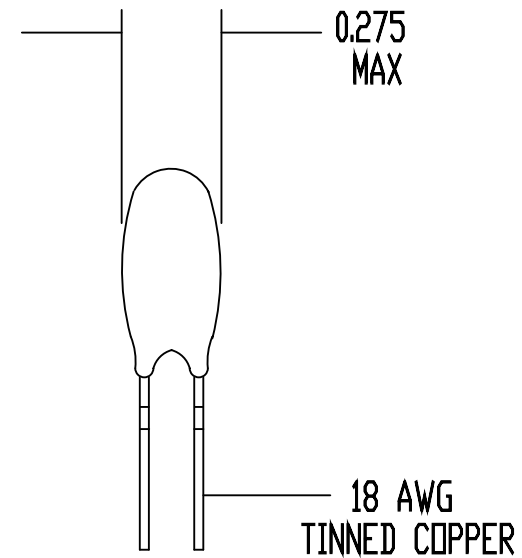
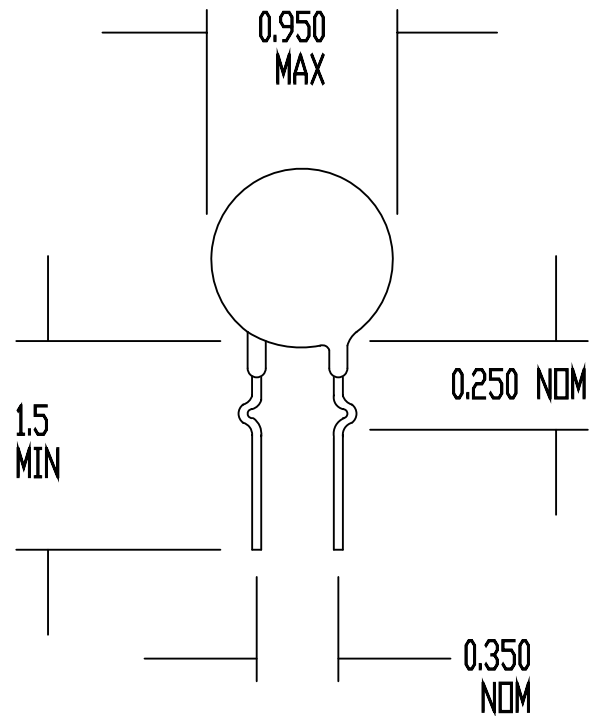


REV	DATE	ECD#
A	05/07/93	1258

DRAWING NOT TO SCALE  
ALL DIMENSIONS IN INCHES



**SPECIFICATIONS:**

RESISTANCE AT 25 DEG C = 7 OHMS +/- 15%  
 MAXIMUM CONTINUOUS CURRENT (I<sub>max</sub>) = 10 AMPS  
 RESISTANCE AT I<sub>max</sub> = 0.08 OHMS NOMINAL  
 MAXIMUM VOLTAGE RATING = 265 VAC (RMS)  
 MAXIMUM SURGE RATING = 100 JOULES  
 ENCAPSULATION = SILICONE RESIN  
 MARKING = OPTIONAL  
 LEADS = RODAN P/N STL-209-45

DRAWN BY D. NGUYEN		<b>AMETHERM</b> <i>Circuit Protection Thermistors</i>
DATE 11/05/90	ORIG. F.T.	
REV A	APP	SURGE-GARD INRUSH CURRENT LIMITER
SHEET 1 OF 1		SG336