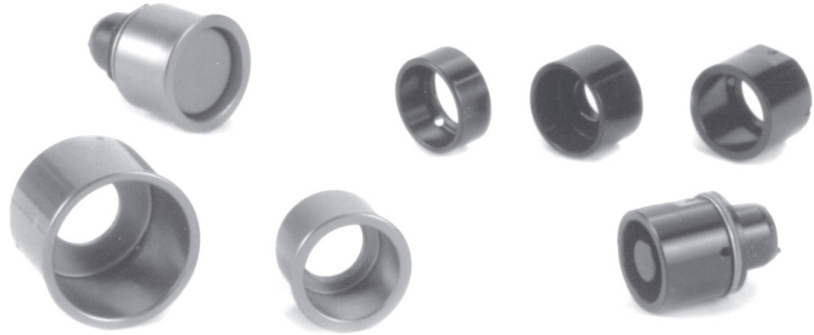


SHROUDS, PANEL SEALS & MOUNTING HARDWARE

Shrouds

Shrouds are added to pushbutton switches to guard against inadvertent actuation. The actuating device must be inserted into the shroud in order to actuate the switch. We have an assortment from which to choose shown here. We are also able to design and fabricate a shape to meet your specifications and application needs.

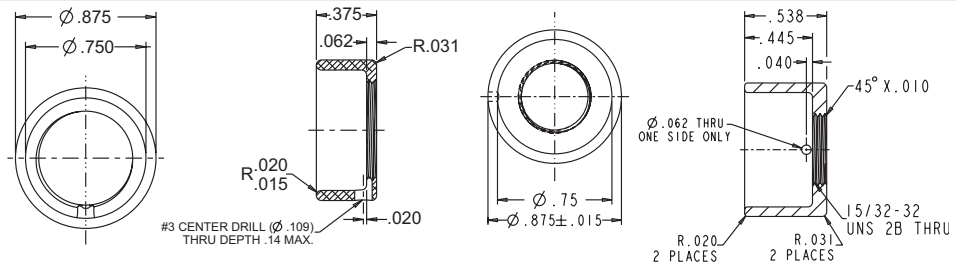


Material:

Aluminum alloy, machined to specification.

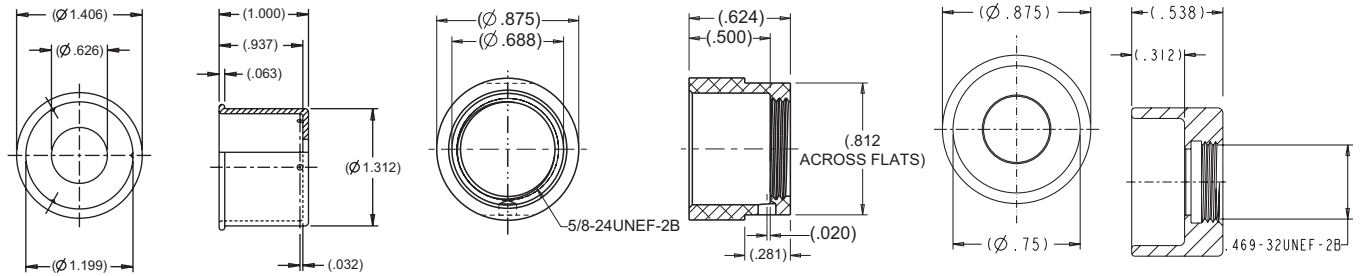
Finish:

Black anodized. For other color options, contact factory.



OTTO P/N C300793

OTTO P/N C300428



OTTO P/N C300302

OTTO P/N C300871

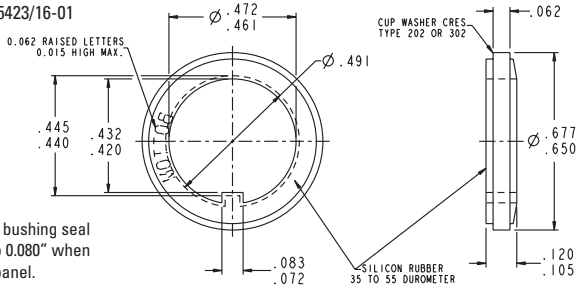
OTTO P/N C300426

Panel Seals

Stainless steel cup washer with silicone rubber seal assures proper watertight panel seal. Mounts behind panel. Approved to MIL-DTL-5423/16. Designed for sealing 15/32" bushing with keyway.

OTTO P/N: 710196

MIL P/N: M5423/16-01



Thickness of bushing seal is reduced to 0.080" when mounted to panel.

Gaskets

OTTO P/N	I.D.
700117	0.250"
700110	0.469"
700109	0.625"

O-Rings (Buna)

OTTO P/N	I.D.
802568-010	0.250"
802568-015	0.500"
802568-016	0.625"

Mounting Hardware

MILITARY P/N

KEYWAY WASHERS

MS25081-C0	710081-C0	0.250"
MS25081-C4	710081-C4	0.469"
MS25081-C6	710081-C6	0.625"

INTERNAL TOOTH LOCKWASHERS

MS35333-135	710333-135	0.250"
MS35333-136	710333-136	0.469"

HEX NUTS—STANDARD

MS25082-C14	710082-C14	0.250-40
MS25082-C21	710082-C21	0.469-32
MS25082-B11	710082-B11	0.625-24

HEX NUTS—WIRE LOCKING

MS21340-04	710340-04	0.469-32
MS21340-05	710340-05	0.625-24

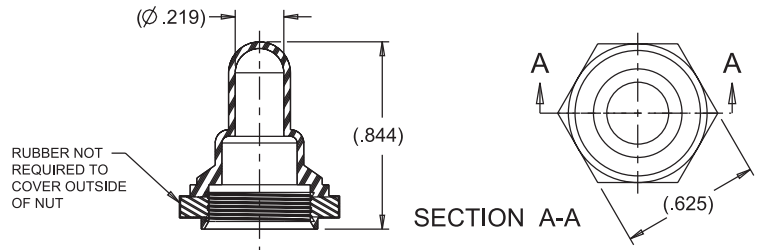
ACCESSORIES & HARDWARE

SWITCH BOOTS, TOGGLE BOOTS AND HEX NUTS

P/N 740191

T9 Toggle Boot with 15/32" Thread

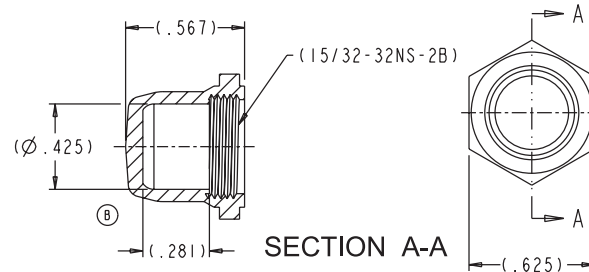
Boot: Black Silicone Rubber
Nut: Brass, Nickel Plated



P/N 740144

P4-4 Switch Boot with Threaded Insert

Boot: Black Silicone Rubber
Insert: Brass, Nickel Plated



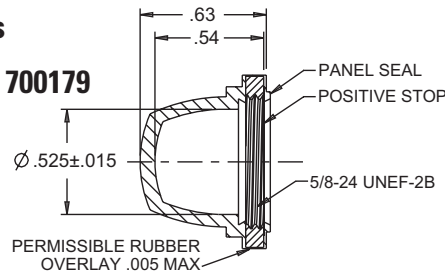
P3-6 Pushbutton Boots

P/N 700179

MIL-DTL-5423/7
Type B, Style 2, Size 4

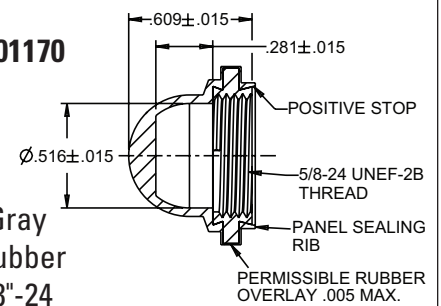
Material: Silicone
Rubber

700179-2S = Black, 700179-4S = Yellow, 700179-8S = Gray



P/N 701170

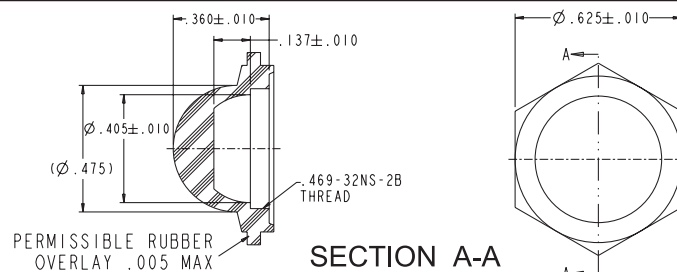
Material: Gray
Silicone Rubber
Thread: 5/8"-24



P/N 701211

P7-6 Pushbutton Boot Hex Nut

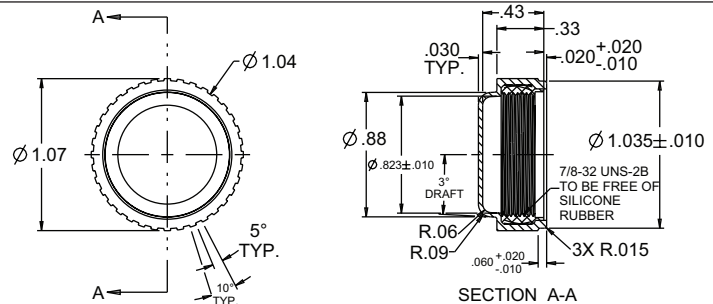
Material: Black Neoprene
Thread: 15/32"



P/N 913786

Boot with Hard Stop Feature
for Custom P3's and P8's that have
Switch Buttons less than .78" Diameter

Boot: Silicone Rubber
Insert: Clear Anodized Aluminum Threaded



P7/P9 Sealing Boots

P/N 402246

For Raised Dome

P/N 402339

For Flush Dome

