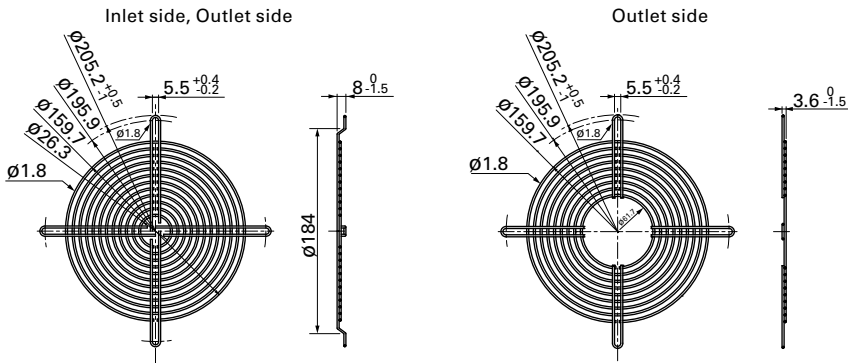


160 mm sq. type

Model no.	Surface treatment	Mass (g)	Model no.	Surface treatment	Mass (g)
109-619E	Nickel-chrome plating (silver)	85	109-620	Nickel-chrome plating (silver)	74
109-619H	Cation electropainting (black)				



Mounting example

Axial fan

