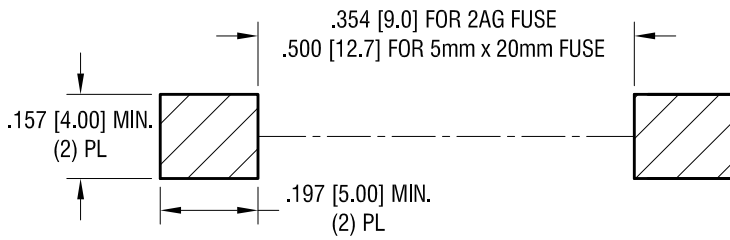
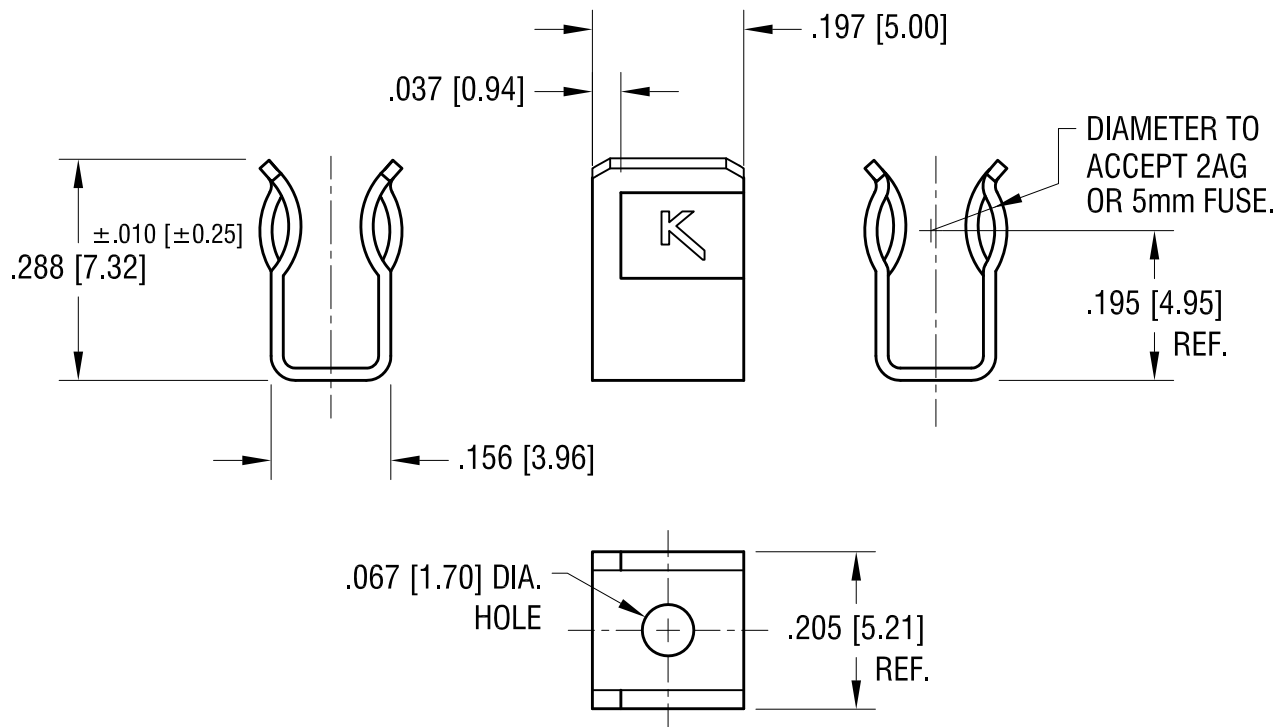


PAD LAYOUT



THIS DOCUMENT IS THE PROPERTY OF KEYSTONE ELECTRONICS CORP. AND SHALL NOT BE REPRODUCED, DISTRIBUTED OR USED AS A BASIS FOR MANUFACTURE WITHOUT PRIOR WRITTEN PERMISSION FROM KEYSTONE ELECTRONICS CORP.

ACTUAL SIZE



4.11.17	CHANGE AS PER ECN 17-033	E
9.12.12	CHANGE AS PER ECN 12-138	D
12.08.10	CHANGE AS PER ECN 10-08	C
6.08.09	CHANGE AS PER ECN 09-053	B
2.28.08	CHANGE AS PER ECN 08-091	A
DATE	DESCRIPTION	REV.

KEYSTONE ELECTRONICS CORP.			
www.keyelco.com • ASTORIA, N.Y. 11105-2017 • Tel (718) 956-8900			
PART NAME		2AG/5mm SURFACE MOUNT FUSE CLIP	
MATERIAL		.016 [0.40] TH'K BRASS	
FINISH		DRN BY	DATE
MATTE TIN PLATE		BOONE	4.02.98
		APP'D	SCALE
		LN	4X
TOLERANCES	INCH [MM]	CODE	DWG NO.
DECIMAL	± .005 [± 0.15]	C	3561
ANGULAR	± 1°		
UNLESS OTHERWISE SPECIFIED			