



## Main

|                                       |  |
|---------------------------------------|--|
| Range of product                      | Preventa Safety detection  |
| Product or component type             | Safety light curtain type 4  |
| Device short name                     | XUSL4E   |
| Output type                           | 2 safety outputs OSSD solid-state PNP (integrated arc suppression) |
| Product specific application          | For hand protection  |
| Minimum object diameter for detection | 1.18 in (30 mm)  |
| [Sn] nominal sensing distance         | 0...12 m by cabling<br>0...4 m by cabling                          |
| Height protected                      | 35.83 in (910 mm)  |
| Number of beams                       | 38   |
| Type of start                         | Automatic<br>Manual  |
| Control type                          | Selected by wiring   |

## Complementary

|                                |  |
|--------------------------------|--|
| Detection system               | Transmitter-receiver system  |
| Kit composition                | Adjustable mounting bracket(s)<br>1 receiver(s)<br>1 transmitter(s)<br>1 user guide with certificate of conformity on CD-ROM |
| [EAA] effective aperture angle | +/- 2.5 ° at 3 m   |
| Emission                       | IR LED ( $\lambda = 950$ nm)   |
| [Us] rated supply voltage      | 24 V DC (+/- 20 %)   |
| Supply                         | Power supply must meet requirements of IEC 61496-1<br>Power supply must meet requirements of IEC 60204-1                     |
| [Ie] rated operational current | 2 A  |
| Current consumption            | 42 mA no-load (transmitter)<br>83 mA no-load (receiver)<br>42 mA (transmitter)<br>900 mA with maximum load (receiver)        |
| Output current limits          | 0.4 A for safety outputs OSSD  |
| Output voltage                 | 24 V   |
| Output circuit type            | DC   |
| Voltage drop                   | $\leq 0.5$ V   |
| Local signalling               | 1 multi-colour LED (transmitter)<br>2 dual colour LEDs (receiver)  |
| Electrical connection          | 1 male connector M12 5 pins (transmitter)<br>1 male connector M12 8 pins (receiver)  |
| Function available             | Test<br>Muting through external safety module XPSLCMUT1160<br>LED display of operating modes and faults                      |
| Marking                        | CE   |
| Material                       | Casing : aluminium<br>Front panel: polycarbonate<br>End caps: polypropylene  |
| Housing colour                 | RAL 3000: red  |
| Fixing mode                    | By fixing brackets   |
| Product weight                 | 3.79 lb(US) (1.72 kg)  |
| Offer type                     | Standard distance  |

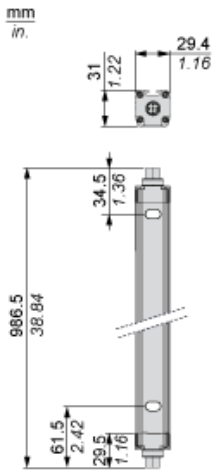
## Environment

|                                       |  |
|---------------------------------------|--|
| directives                            | 89/336/EEC - electromagnetic compatibility<br>2002/96/EC - WEEE directive<br>2002/95/EC - RoHS directive<br>98/37/EEC - machinery<br>89/655/EEC - work equipment                       |
| product certifications                | CE<br>CULus<br>TÜV   |
| safety level                          | SIL 3 conforming to IEC 61508<br>Type 4 conforming to IEC 61496-1<br>SILCL 3 conforming to IEC 62061<br>Category 4 conforming to EN/ISO 13849-1<br>PL = e conforming to EN/ISO 13849-1 |
| environmental characteristic          | Resistance to light disturbance conforming to EN/IEC 61496-2   |
| service life                          | 20 yr  |
| safety reliability data               | PFHd = 1.30E-8 1/h conforming to IEC 61508   |
| ambient air temperature for operation | -22...131 °F (-30...55 °C)<br>14...131 °F  |
| ambient air temperature for storage   | -31...158 °F (-35...70 °C)<br>-13...158 °F   |
| relative humidity                     | 0...95 % without condensation  |
| IP degree of protection               | IP65<br>IP67   |
| shock resistance                      | 10 gn 16 ms conforming to IEC 61496-1  |
| vibration resistance                  | 0.35 +/- 0.05 mm (f = 10...55 Hz) conforming to IEC 61496-1  |

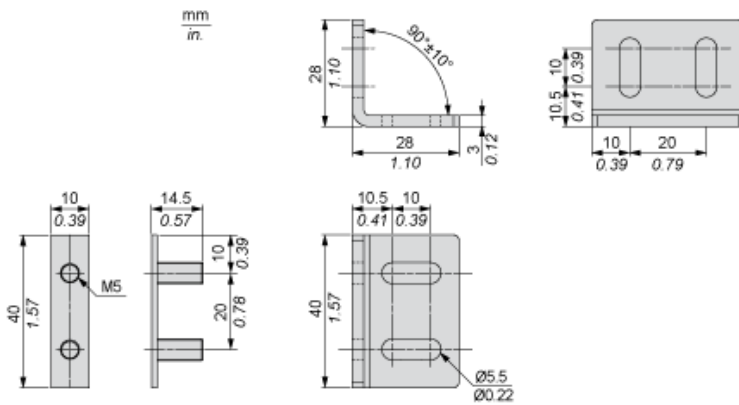
## Offer Sustainability

|  |  |
|--|--|
| Green Premium product  | Green Premium product  |
| Compliant - since 1425 - Schneider Electric declaration of conformity  | Compliant - since 1425 - Schneider Electric declaration of conformity  |
| Reference not containing SVHC above the threshold  | Reference not containing SVHC above the threshold  |
| Available  | Available  |
| Available  | Available  |
| WARNING: This product can expose you to chemicals including:   | WARNING: This product can expose you to chemicals including:   |
| Diisononyl phthalate (DINP), which is known to the State of California to cause cancer, and                                | Diisononyl phthalate (DINP), which is known to the State of California to cause cancer, and                                |
| Di-isodecyl phthalate (DIDP), which is known to the State of California to cause birth defects or other reproductive harm. | Di-isodecyl phthalate (DIDP), which is known to the State of California to cause birth defects or other reproductive harm. |
| For more information go to <a href="http://www.p65warnings.ca.gov">www.p65warnings.ca.gov</a>                              | For more information go to <a href="http://www.p65warnings.ca.gov">www.p65warnings.ca.gov</a>                              |

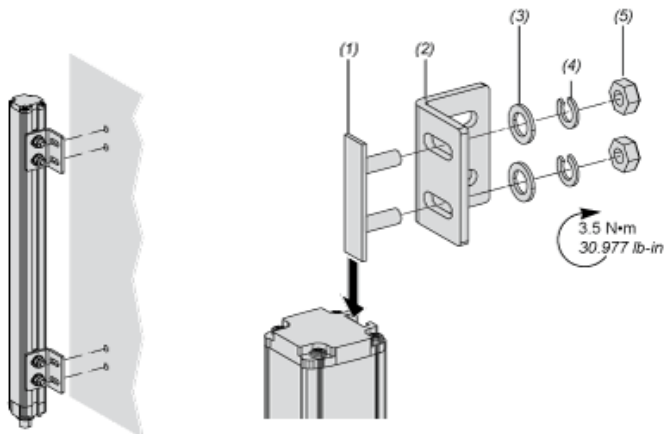
## Dimensions



## Brackets Dimensions



## Mounting and Clearance



- (1) Insert
- (2) Bracket
- (3) Washer
- (4) Spring washer
- (5) Nut

## Wiring Diagrams

### Transmitter Connections

Master primary connector at the bottom

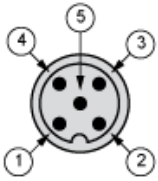


- (1) +24 Vdc
- (2) Configuration\_0
- (3) 0 Vdc
- (4) Configuration\_1
- (5) FE

Transmitter configurations and operating modes

|                         | High range option | Low range option | Transmitter in Test state | Forbidden wiring |
|-------------------------|-------------------|------------------|---------------------------|------------------|
| Pin 4 : Configuration_1 | 24 V              | 0 V              | 0 V                       | 24 V             |
| Pin 2 : Configuration_0 | 0 V               | 24 V             | 0 V                       | 24 V             |

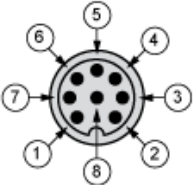
Master secondary connector at the top



- (1) +24 Vdc
- (2) Master/Slave\_A
- (3) 0 Vdc
- (4) Master/Slave\_B
- (5) FE

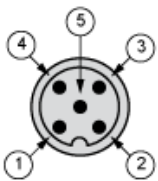
### Receiver Connections

Master primary connector at the bottom



- (1) OSSD1
- (2) + 24 V
- (3) OSSD2
- (4) Configuration\_A
- (5) K1\_K2 Feedback/Restart
- (6) Configuration\_B
- (7) 0 Vdc
- (8) FE

Master secondary connector at the top



- (1) +24 Vdc
- (2) Master/Slave\_A
- (3) 0 Vdc
- (4) Master/Slave\_B
- (5) FE

## Receiver Configurations and Operating Modes

### Automatic Start/Restart

Without External Device Monitoring (EDM) feedback loop

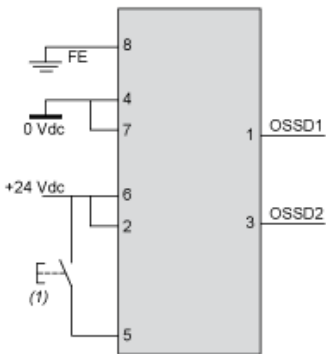


With External Device Monitoring (EDM) feedback loop



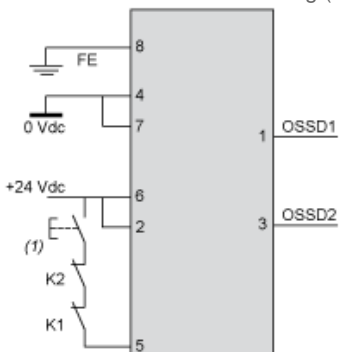
### Manual Start/Restart

Without External Device Monitoring (EDM) feedback loop



(1) Restart

With External Device Monitoring (EDM) feedback loop



(1) Restart

## Connecting to a Safety Interface

**Discover XUSL4E14F016N by**

- Characteristics
- Dimensions Drawings
- Mounting and Clearance
- Connections and Schema
- **Download & Documents**

**Download & Documents 1 to 9 of 9**

**Image of product**

|   |                   |         |
|---|-------------------|---------|
| Generic image for XUSL standard sensing distance. | SILENT 2014-12-11 | (See ▼) |
|---|-------------------|---------|

**Product environmental**

|  |                    |       |
|--|--------------------|-------|
| XUSL4E..., XUSL2E... Safety Light Curtain, Product Environmental Profile | English 2014-09-08 | pdf ▼ |
|--|--------------------|-------|

**End of life manual**

|   |                    |       |
|---|--------------------|-------|
| XUSL4E..., XUSL2E... Safety Light Curtain, Product End-of-Life Instructions | English 2014-09-08 | pdf ▼ |
|---|--------------------|-------|

**Application solutions**

|  |                    |       |
|--|--------------------|-------|
| Safety light curtains association with safety interfaces | English 2016-01-08 | pdf ▼ |
|--|--------------------|-------|

**Catalog**

|                                     |                    |       |
|-------------------------------------|--------------------|-------|
| Safety light curtains Preventa XUSL | English 2015-05-18 | pdf ▼ |
|-------------------------------------|--------------------|-------|

**User guide**

|   |                    |       |
|---|--------------------|-------|
| XUSL2E..., XUSL4E... Type 2 and Type 4 Safety Light Curtains, User Manual | English 2015-06-25 | pdf ▼ |
|---|--------------------|-------|

1 : Click on Download & Documents

2 : Click on Application solutions

To have all connection schematics concerning our safety module, select "download and document" and download the file "Safety light curtains association with safety interfaces"