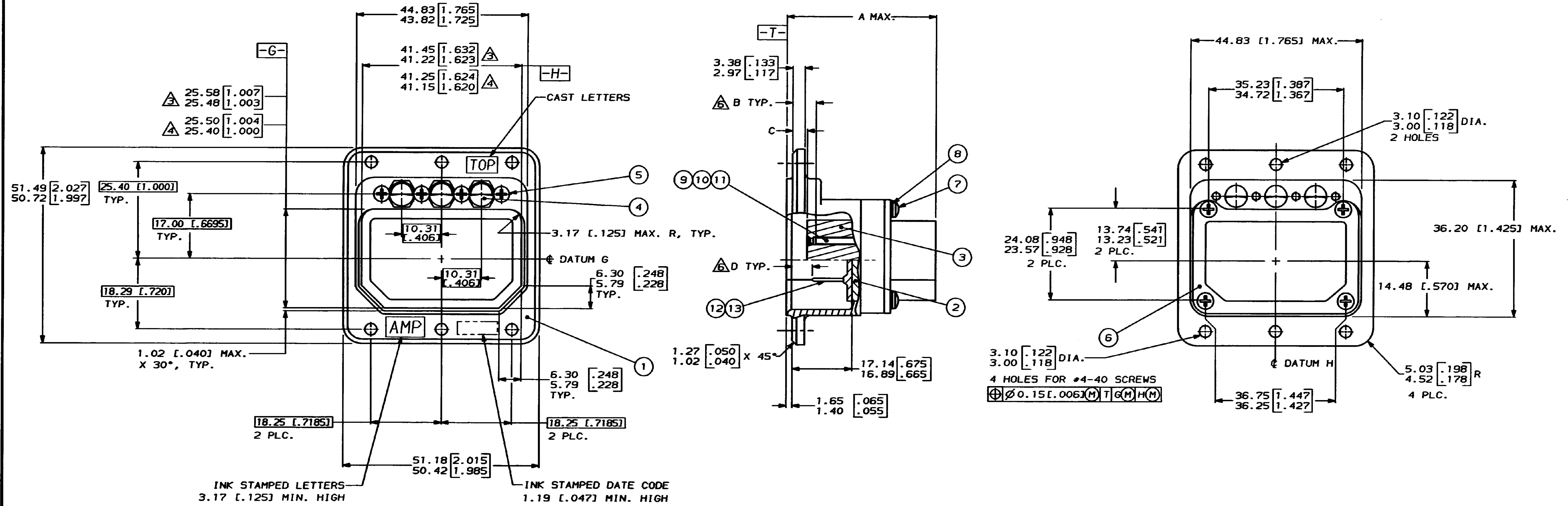
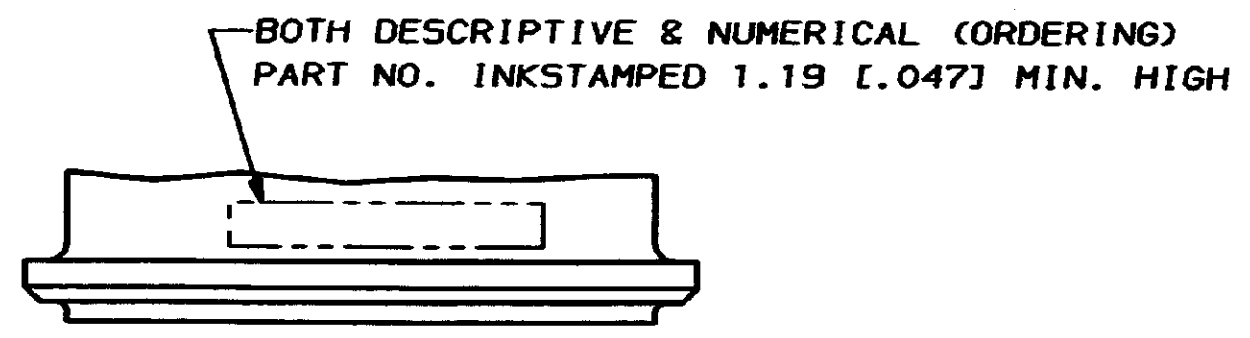
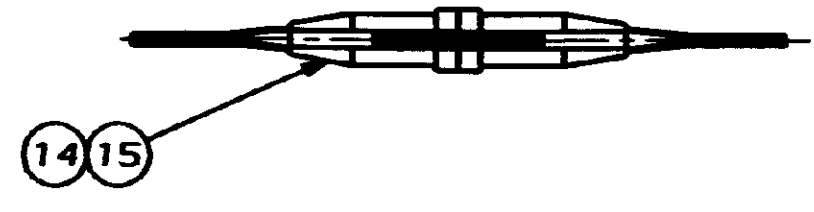


DRAWING MADE IN THIRD ANGLE PROJECTION
 THIS DRAWING IS UNPUBLISHED. RELEASED FOR PUBLICATION .19
 © COPYRIGHT 19 BY AMP INCORPORATED, HARRISBURG, PA. ALL INTERNATIONAL RIGHTS RESERVED. AMP PRODUCTS MAY BE COVERED BY U.S. AND FOREIGN PATENTS AND/OR PATENTS PENDING.

5049		LOC	DIST	P	F	ZONE	LTR	REVISIONS		DATE	APPD
								0	RELEASED	3-11-87	MPT
								A	REV PER DF-0440	3-16-88	LGL
								B	REV PER ECN DF-0770 TW	3-89	EJW
								C	REV PER ECO-16-012137	10-16	CT



- 1. CONTACTS SHOWN LOADED FOR ILLUSTRATION ONLY; ARE INCLUDED IN A CONTAINER WITHIN CONNECTOR PACKAGE FOR SHIPMENT.
- 2. FOR INSERT ARRANGEMENTS AND DIMENSIONS, SEE TABLES ON SHEET 2 OF 2.
- △ DIMENSION TAKEN AT 7.67/7.57 [.302/.298] FROM TOP EDGE.
- ▲ DIMENSION TAKEN AT 1.32/1.22 [.052/.048] FROM BOTTOM OF CAVITY.
- 5. DIMENSIONS IN BRACKETS ARE IN INCHES.
- △ FOR CONTACT SIZE #22, DIMENSION "B" REPRESENTS PIN CONTACTS AND DIMENSION "D" REPRESENTS SOCKET CONTACTS.



METRIC

UNLESS OTHERWISE SPECIFIED DIMENSIONS ARE IN MM TOLERANCES ON:		DR	M. HOFFECKER	3-11-87	PART NO
2 PL DEC ±	---	CHK	L. LAWVER	3-11-87	
3 PL DEC ±	---	APPD	E. HOWARD	3-11-87	
ANGLES	± 0°30'	APPD	D. SMITH	3-12-87	
MATERIAL	SEE TABLE SHT. 2 OF 2	PRODUCT SPEC			
FINISH	SEE TABLE SHT. 2 OF 2	APPLICATION SPEC			
WEIGHT					
		SIZE	D	FSCN NO	00779
		DRAWING NO	213436		
		SCALE	2:1	SHEET	1 OF 2

AMP INCORPORATED
 HARRISBURG, PA. 17105
 NAME: RECEPTACLE CONN. KIT, ARINC 404, SINGLE INSERT, RM1R SERIES

CUSTOMER DRAWING

THIS DRAWING IS UNPUBLISHED. RELEASED FOR PUBLICATION .19
 © COPYRIGHT 19 BY AMP INCORPORATED, HARRISBURG, PA. ALL INTERNATIONAL RIGHTS RESERVED. AMP PRODUCTS MAY BE COVERED BY U.S. AND FOREIGN PATENTS AND/OR PATENTS PENDING.

5049	LOC	DIST	REVISONS		DATE	APPD
DF	A0	P	F	ZONE	LTR	DESCRIPTION
						SEE SHEET 1

106P	67P	67P	40C1S	33C4P	D8S	INSERT	
01	01	00	23	00	00		
01	01	01	01	01	01		
01	01	01	01	01	01		
CUSTOMER ORDERING CODE, SEE DRAWING 205102							
KEYING CODE, SEE DRAWING 204014							
MODIFICATION CODE, SEE DRAWING 205100							
CLINCH NUT - STEEL; PL CADMIUM							18
WASHER - STAINLESS STEEL; PASSIVATED							17
ALIGNMENT BUSHING - STAINLESS STEEL; PASSIVATED							16
INSERT/EXTRACT TOOL, SIZE 20 - ACETAL/BE CU; PL NICKEL							15
INSERT/EXTRACT TOOL, SIZE 16 - ACETAL/BE CU; PL NICKEL							14
PIN CONT, SIZE 20 - LEADED COPPER; PL GOLD OVER NICKEL							13
PIN CONT, SIZE 16 - LEADED COPPER; PL GOLD OVER NICKEL							12
SKT CONT ASSY, SIZE 20 - LEADED COPPER; PL GOLD OVER NICKEL							11
SKT CONT ASSY, SIZE 16 - LEADED COPPER; PL GOLD OVER NICKEL							10
SKT CONT ASSY, SIZE 12 - LEADED COPPER; PL GOLD OVER NICKEL							9
LOCKWASHER - STAINLESS STEEL; PASSIVATED							8
MACHINE SCREW - STAINLESS STEEL; PASSIVATED							7
RETAINER PLATE - ALUMINUM; ANODIZED BLUE							6
FLATHEAD SCREW - STAINLESS STEEL; PASSIVATED							5
KEYING INSERT - ALUMINUM; PL CADMIUM, YELLOW CHROMATE							4
SOCKET INSERT ASSEMBLY - EPOXY; BLACK							3
PIN INSERT ASSEMBLY - EPOXY; BLACK							2
SHELL - ALUMINUM; PL CADMIUM, YELLOW CHROMATE							1

B DIM.				C DIM.				D DIM.			
CONTACT SIZE				CONTACT SIZE				CONTACT SIZE			
22	20	16	12	22	20	16	12	22	20	16	12
4.32	5.21	5.21	4.44	2.06	2.06	2.06	6.35	8.79	4.19		
2.92	3.71	3.71	3.48	1.22	1.22	1.22	5.21	6.12	2.64		
.170	.205	.205	.175	.081	.081	.081	.250	.348	.165		
.115	.146	.146	.137	.048	.048	.048	.205	.241	.104		

A DIM.	INSERT ARRANGEMENT													
	C2	C3	8	C8	D8	26	32C2	33C4	40	40C1	45	57	67	106
					33.35				38.74		38.74		33.35	27.33
					[1.313]				[1.525]		[1.525]		[1.313]	[1.076]

METRIC

UNLESS OTHERWISE SPECIFIED DIMENSIONS ARE IN MM TOLERANCES: .01	DR M. HOFFECKER 3-11-87	AMP INCORPORATED Harrisburg, Pa. 17105
2 PL DEC ±	CHK L. LAWVER 3-11-87	
3 PL DEC ±	APPD E. HOWARD 3-11-87	RECEPTACLE CONN. KIT, ARINC 404, SINGLE INSERT, RMIR SERIES
ANGLES ±	APPD D. SMITH 3-12-87	
MATERIAL SEE TABLE	PRODUCT SPEC	SIZE D
FINISH SEE TABLE	APPLICATION SPEC	FSCM NO 00779
	WEIGHT	DRAWING NO 213436
		SCALE
		SHEET 2 OF 2