

C. Westoby 11-18-91

DESCRIPTION	APP'D./DATE	REV
		3

SAFETY ORGANIZATION(S)

THIS FILTER HAS BEEN FORMALLY RECOGNIZED, CERTIFIED OR APPROVED BY THE LISTED AGENCY. THEREFORE, ALL TEST/REQUIREMENTS SPECIFIED IN THE LATEST REVISION OF THE FOLLOWING AGENCY STANDARDS HAVE BEEN MET.

UL RECOGNIZED  
 CSA CERTIFIED  
 VDE APPROVED

UL 544  
 CSA 22.2, NO. 0, 0.4, 8  
 VDE 565-3, 625

OPERATING SPECIFICATIONS:

LINE VOLTAGE/CURRENT:  
 10 AMP., 120/250 VAC  
 10 AMP./40°C, 250 VAC  
 50-60HZ  
 40°C

LINE FREQUENCY,  
 MAX. CASE RISE & RATED CURRENT,  
 MAX. LEAKAGE CURRENT, EACH  
 LINE TO GROUND  
 2µA at 120V 60 Hz  
 5µA at 250V 50 Hz

OPERATING AMBIENT TEMP. RANGE,  
 IN AN AMBIENT,  $T_a$ , HIGHER THAN 40°C, THE MAXIMUM OPERATING  
 CURRENT,  $I_o$ , IS AS FOLLOWS:  

$$I_o = I_r \sqrt{\frac{85-T_a}{45}}$$

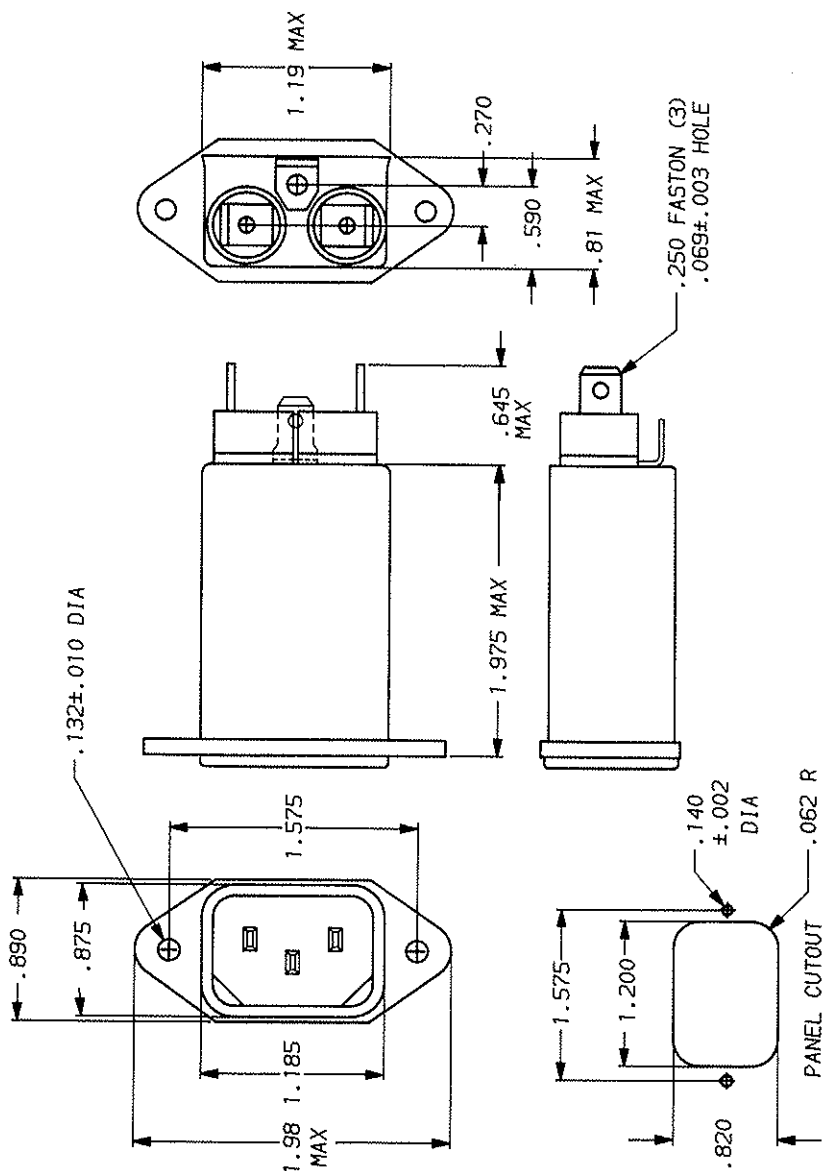
RELIABILITY SPECIFICATIONS:

STORAGE TEMPERATURE,  
 HUMIDITY,  
 CURRENT OVERLOAD TEST,  
 TEST SPECIFICATIONS:  
 INDUCTANCE,  
 CAPACITANCE, (MEASURED @ 1 KHz, 0.25 VAC MAX., 25°C ±1°C)  
 LINE TO LINE,  
 DISCHARGE RESISTOR,  
 LINE/GROUND AND LINE/LINE  
 INSULATION RESISTANCE  
 (W/O DISCHARGE RESISTOR)  
 RECOMMENDED RECEIVING INSPECTION HIPOT,  
 LINES TO GROUND,  
 LINE TO LINE,

21 DAYS @ 40°C 95% RH  
 6 TIMES RATED CURRENT FOR 8 SECONDS  
 .275 mH NOMINAL (6nd Choke)  
 .36 mH NOMINAL  
 .01µF ±20%  
 1.5 Ma  
 6000 Ma (MIN) AT 100 VDC  
 20°C AND 50% RH  
 2250 VDC FOR 1 MINUTE  
 1450 VDC FOR 1 MINUTE

FILTER APPROVAL:

THE BEST WAY TO SELECT AND QUALIFY A FILTER IS FOR YOUR ENGINEERING TO TEST THE UNIT IN YOUR EQUIPMENT.



FREQUENCY MHZ	50α - 50α (MINIMUM) INSERTION LOSS									
	.15	1.0	2.0	5.0	10	20	30			
COMMON	7	13	15	17	17	16	15	14		
dB										

This document is proprietary to CORCOM INC. and is not to be reproduced nor used for manufacturing purposes except on CORCOM's order or prior written consent.

**CORCOM**  
 LIBERTYVILLE, IL 60048

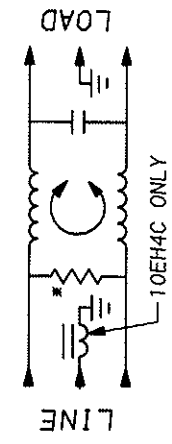
**POWER LINE FILTER**

SCALE	DATE	DRG. NO.	REV.
NTS	9-12-89	10EH4	3
DESIGN BY	ORIGINATOR	CW	
TDL			

TOLERANCE EXCEPT AS NOTED  
 DECIMAL: .XXX .XX .X ANGLES  
 ENGLISH: ±.015 ± 1°  
 METRIC: ±

MATERIAL:  
 AS SUPPLIED

FINISH:  
 AS SUPPLIED



\*RESISTOR ADDED TO PRODUCT BUILT AFTER 3-30-92 (9212).