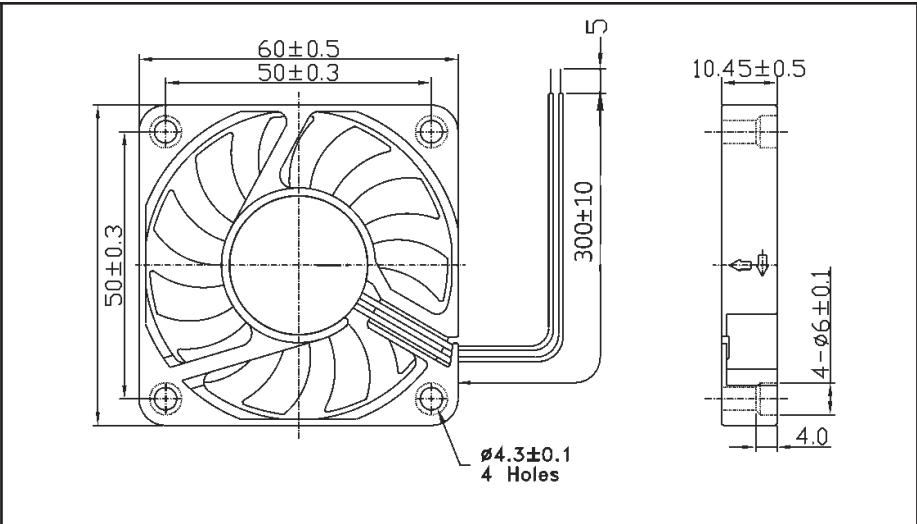


OD6010 Series



DC Fan - 5V, 12V
60x10mm (2.36"x 0.39")



| | | | |
|-----------------------|--|--|--|
| Frame & Impeller | PBT, UL94V-0 plastic | Available Options: Tachometer Alarm 24V Life Expectancy (L10) Ball - 60,000 hrs (45C) Sleeve - 30,000 hrs (45C) Operating Temperature Ball: -10C ~ 70C Sleeve: -10C ~ +50C Weight: ~ 0.07 lbs m1 | |
| Connection | 2x Lead wires 24AWG | | |
| Motor | Brushless DC, auto restart, impedance and polarity protected | | |
| Bearing System | Ball bearing or Sleeve | | |
| Insulation Resistance | 10M ohm between leadwire and frame (500VDC) | | |
| Dielectric Strength | 1 minute at 500 VAC, max leakage < 500 MicroAmp | | |
| Storage Temperature | -40C ~ +80C | | |

| Model Number | Speed (RPM) | Airflow (CFM) | Noise (dB) | Volts DC | Input Power (W) | Amps | Max. Static Pressure (\"H ₂ O) |
|--------------|-------------|---------------|------------|----------|-----------------|------|---|
| OD6010-05M * | 4000 | 17 | 31 | 5 | 1.65 | 0.33 | 0.12 |
| OD6010-05L * | 3400 | 14 | 26 | 5 | 1.30 | 0.26 | 0.09 |
| OD6010-12H * | 4600 | 21 | 36 | 12 | 3.00 | 0.25 | 0.16 |
| OD6010-12M * | 4000 | 17 | 31 | 12 | 1.92 | 0.16 | 0.12 |
| OD6010-12L * | 3400 | 14 | 26 | 12 | 1.20 | 0.10 | 0.09 |

* Indicate "B" for ball bearing or "S" for sleeve bearing