

THIS DRAWING IS UNPUBLISHED. RELEASED FOR PUBLICATION
 © COPYRIGHT BY TYCO ELECTRONICS CORPORATION. ALL RIGHTS RESERVED.

LOC		DIST		REVISIONS			
P	LTR	DESCRIPTION	DATE	DWN	APVD		
0		REVISED PER 0G3B-0844-03	11/7/03	SS	SRV		

NOTES:

- ⚠ MATERIAL: .032 THICK, BRASS, TEMPERED.
- ⚠ FINISH: BRIGHT TIN PLATE.

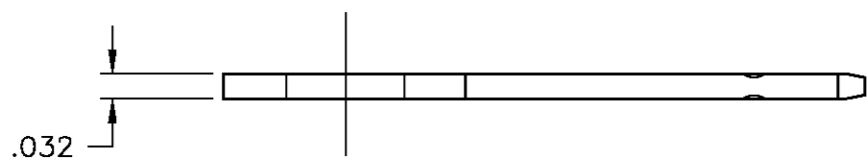
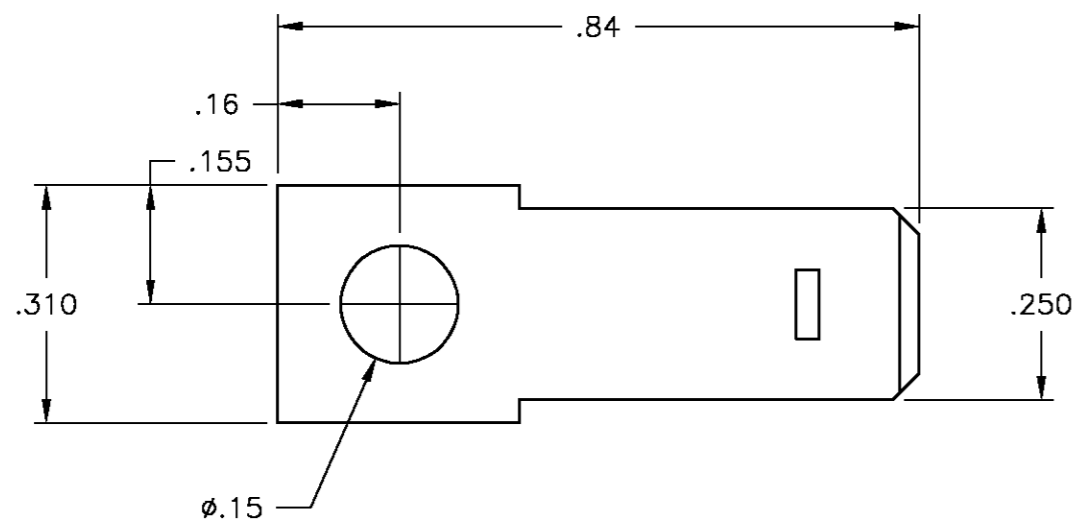


FIGURE 1

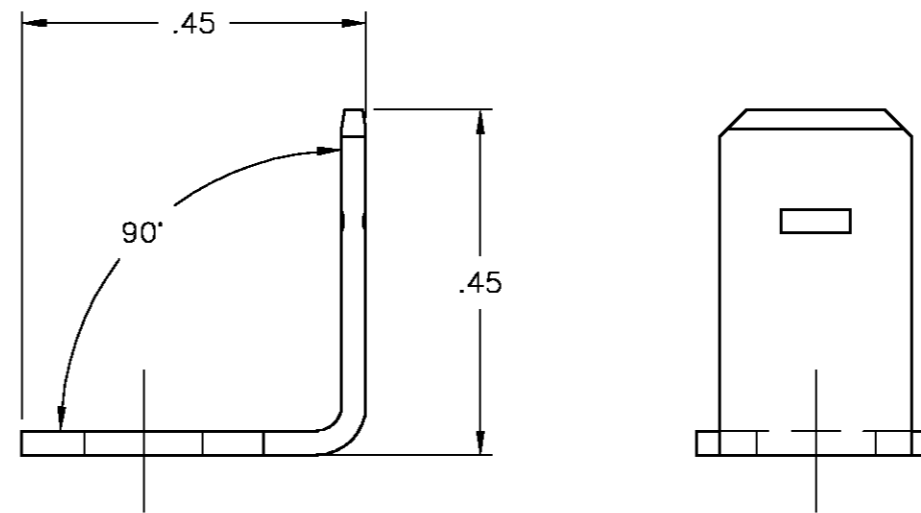
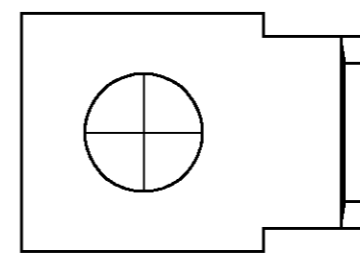


FIGURE 2

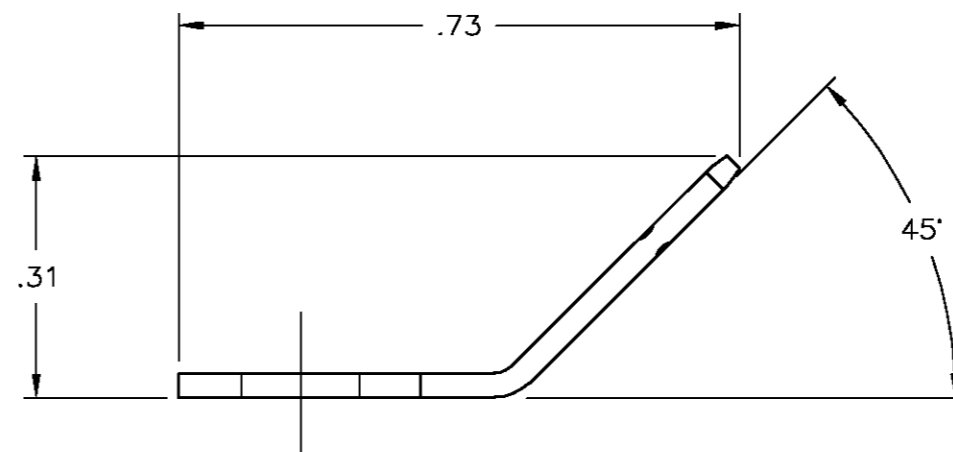
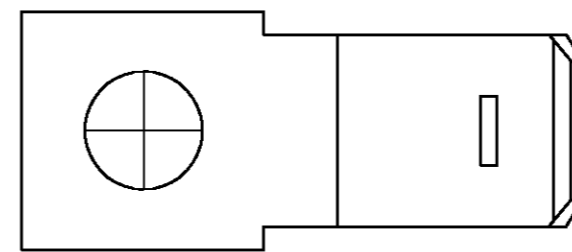


FIGURE 3

FIGURE	CATALOG NO.	PART NO.
FIGURE 3	QC6-45-4	6-1437644-4
FIGURE 2	QC6-90-4	6-1437644-6
FIGURE 1	QC6-180-4	5-1437644-9

THIS DRAWING IS A CONTROLLED DOCUMENT.		DWN S SCHLEGEL 07NOV03	Tyco Electronics Corporation Harrisburg, PA 17105																			
DIMENSIONS: INCHES		CHK S YODER 11/7/03	NAME 6 SERIES, .250 WIDE QC TABS																			
TOLERANCES UNLESS OTHERWISE SPECIFIED:		APVD S YODER 11/7/03																				
<table border="1"> <tr><td>0 PLC</td><td>±</td><td>-</td></tr> <tr><td>1 PLC</td><td>±</td><td>-</td></tr> <tr><td>2 PLC</td><td>±</td><td>.01</td></tr> <tr><td>3 PLC</td><td>±</td><td>.005</td></tr> <tr><td>4 PLC</td><td>±</td><td>-</td></tr> <tr><td>ANGLES</td><td>±</td><td>1°</td></tr> </table>		0 PLC	±	-	1 PLC	±	-	2 PLC	±	.01	3 PLC	±	.005	4 PLC	±	-	ANGLES	±	1°	PRODUCT SPEC -	SIZE A2	CAGE CODE 00779
0 PLC	±	-																				
1 PLC	±	-																				
2 PLC	±	.01																				
3 PLC	±	.005																				
4 PLC	±	-																				
ANGLES	±	1°																				
MATERIAL - ⚠		FINISH - ⚠	DRAWING NO C=5-1437644-9	RESTRICTED TO -																		
CUSTOMER DRAWING		WEIGHT -	SCALE 4:1	SHEET 1 OF 1																		
			REV 0																			