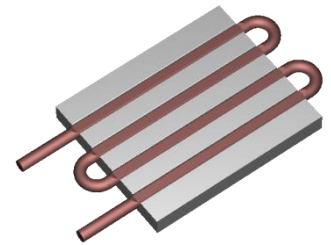


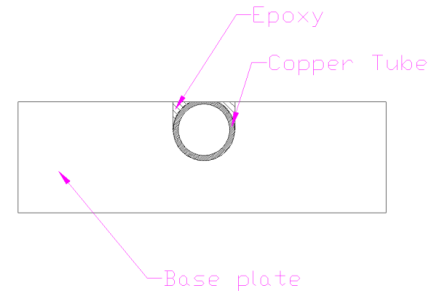
Exposed Tube Liquid Cold Plates Plates

Wakefield- Vette's exposed tube liquid cold plates ensure minimum thermal resistance between the power device and the cold plate by placing the coolant tube in direct contact with the power device's base. Direct contact reduces the number of thermal interfaces between device and fluid thus increasing performance for the application.



Key Specifications:

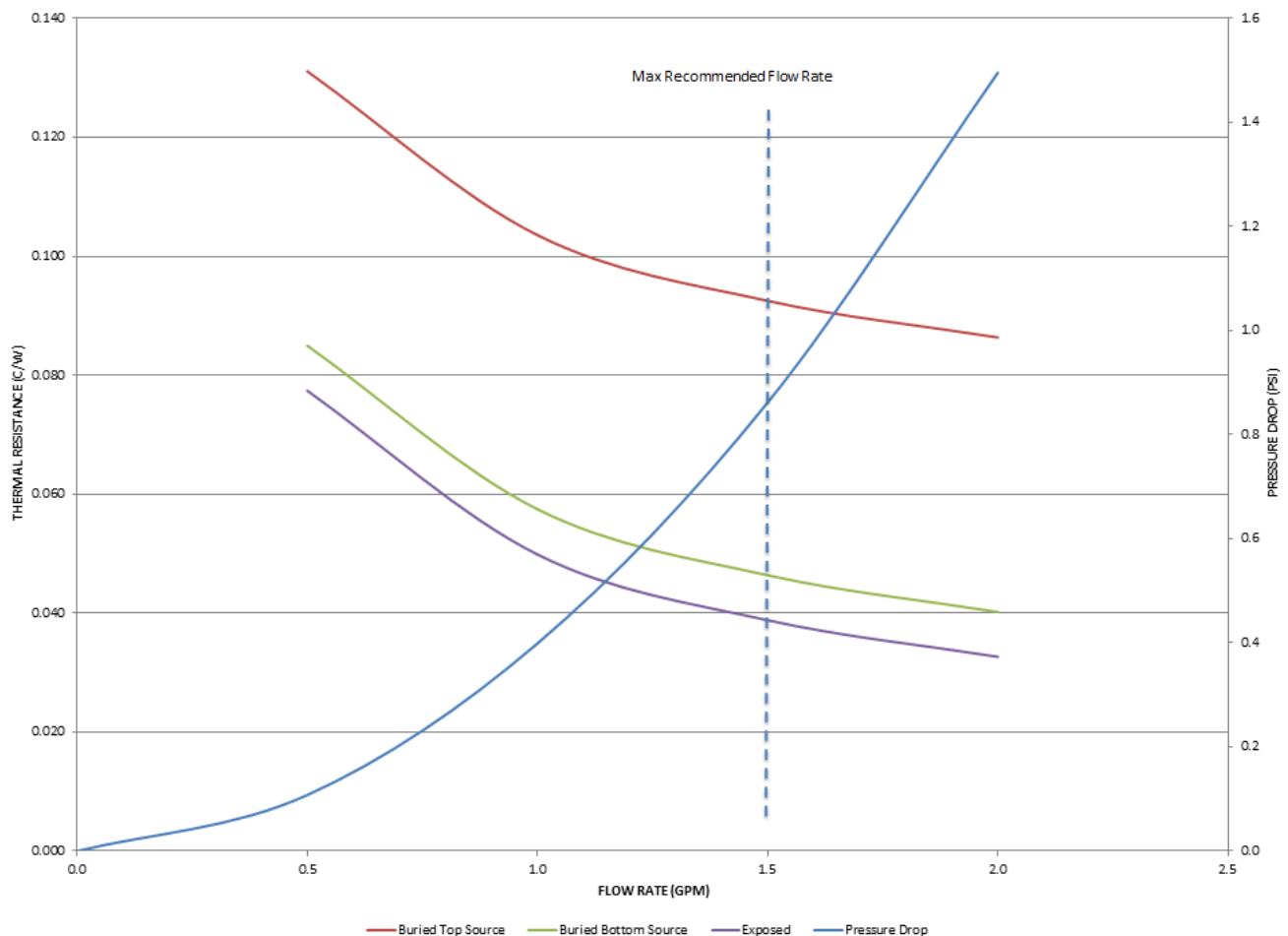
- Base Plate: Extruded Aluminum
- Copper Tube Material: .375" OD x .049" wall
- Thermal Epoxy fill with high thermal conductivity



Part Number	Description	"X" Dimension Inches	Passes	Figure
120455	Exposed Tube 2- Pass Coldplate	N/A	2	1
120456	Exposed Tube 4- Pass Coldplate	6.00	4	2
120457	Exposed Tube 4- Pass Coldplate	12.00	4	2
120458	Exposed Tube 6- Pass Coldplate	6.00	6	3
120459	Exposed Tube 6- Pass Coldplate	12.00	6	3
120460	Exposed Tube 6- Pass Coldplate	24.00	6	3

2 Pass

Thermal Performance:



4 Pass

Thermal Performance:



6 Pass

Thermal Performance:

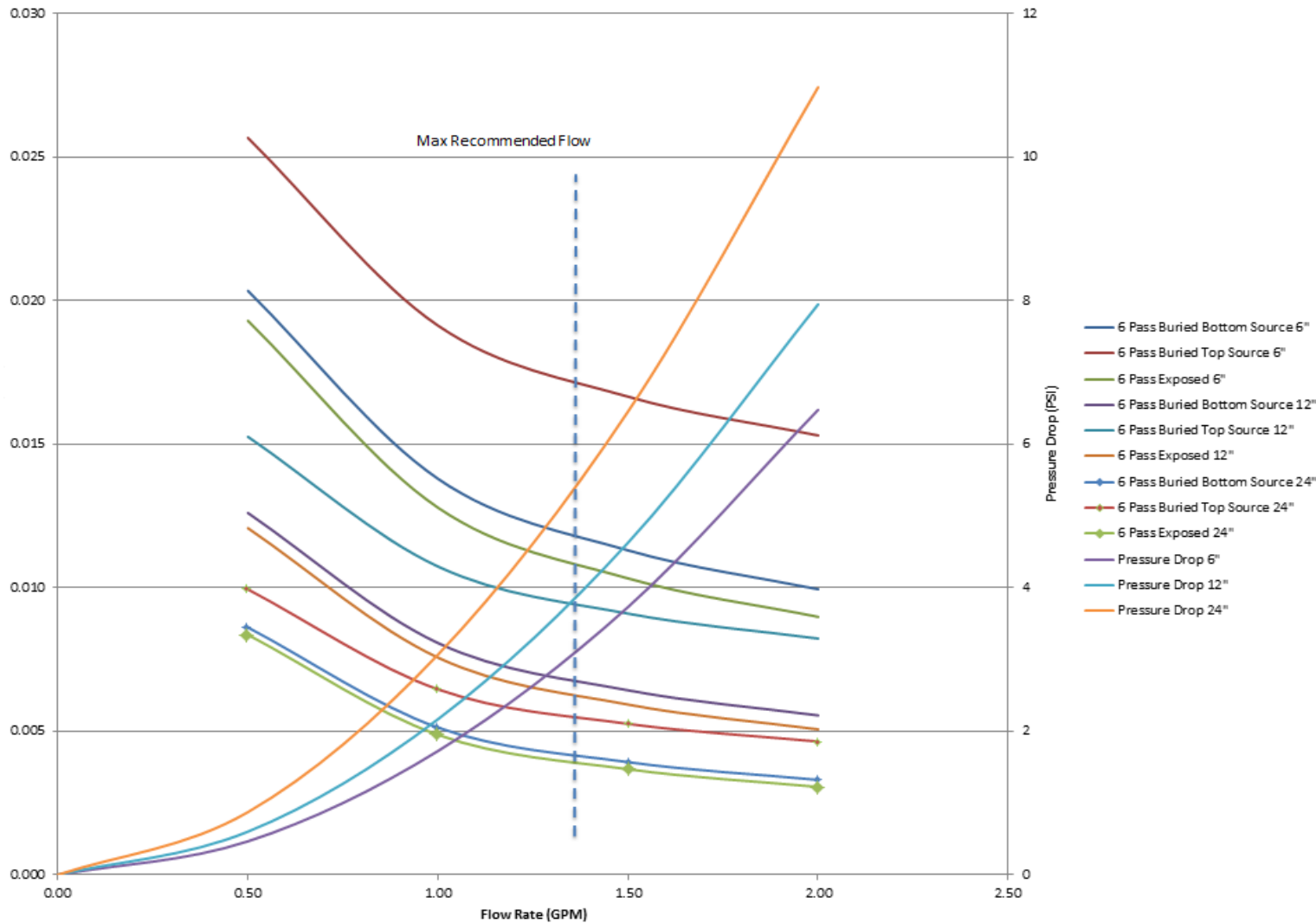


Figure #1

- #120455

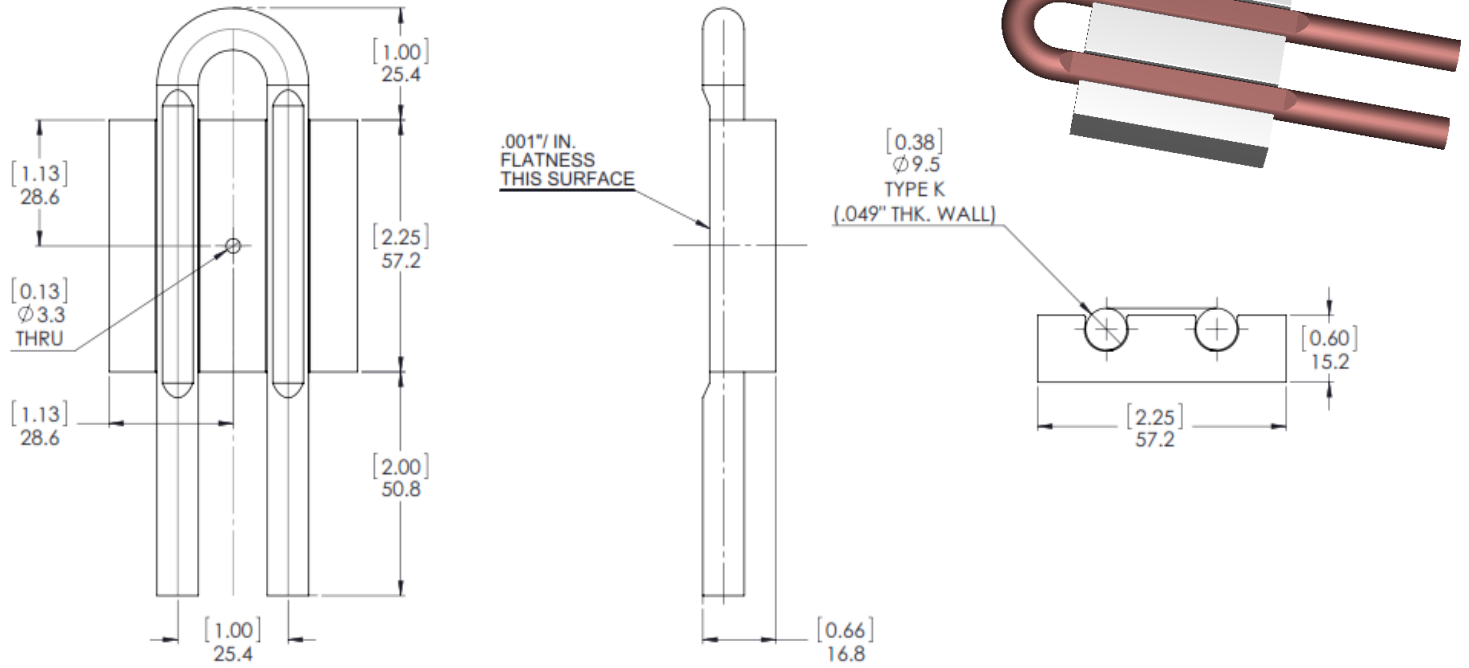


Figure #2

- #120456 & #120457

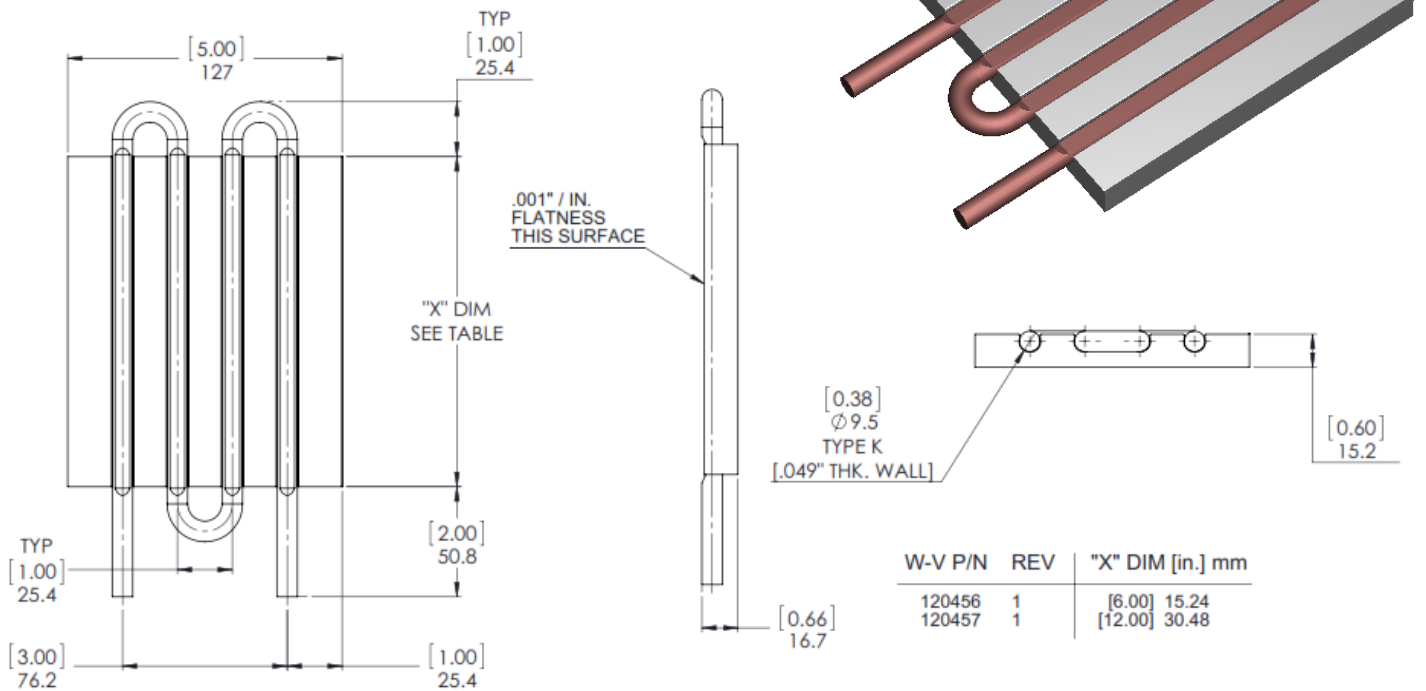
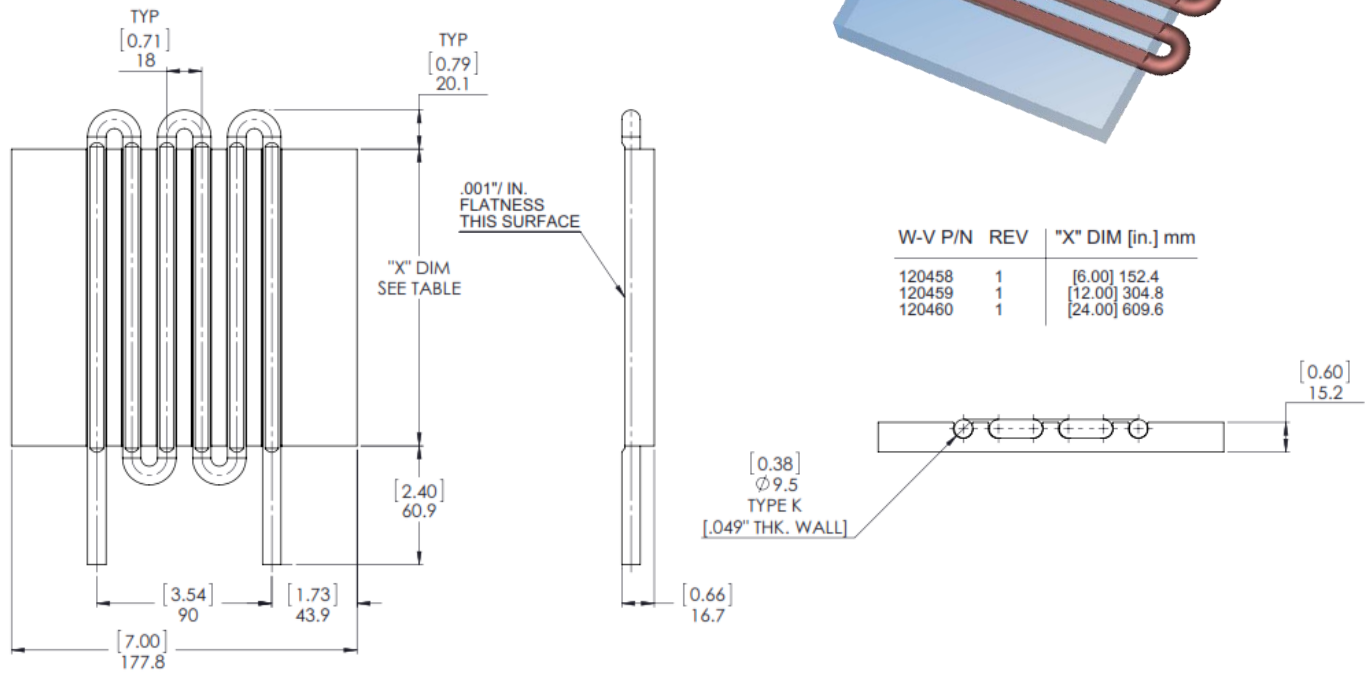


Figure #3

- #120458, #120459, #120460



Custom Exposed Tube Liquid Cold Plates Available

Contact our Engineers:

Wakefield-Vette

603-635-2800

Communications@wakefield-vette.com

www.wakefield-vette.com