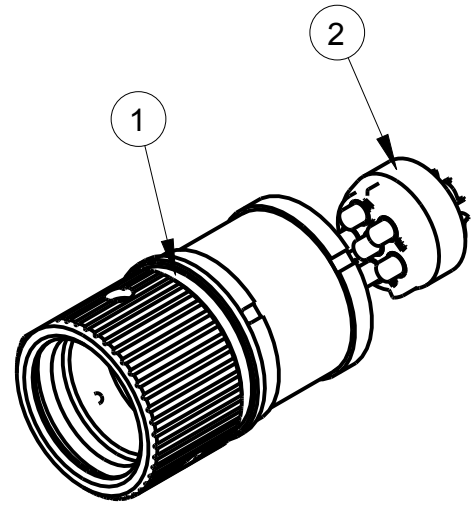
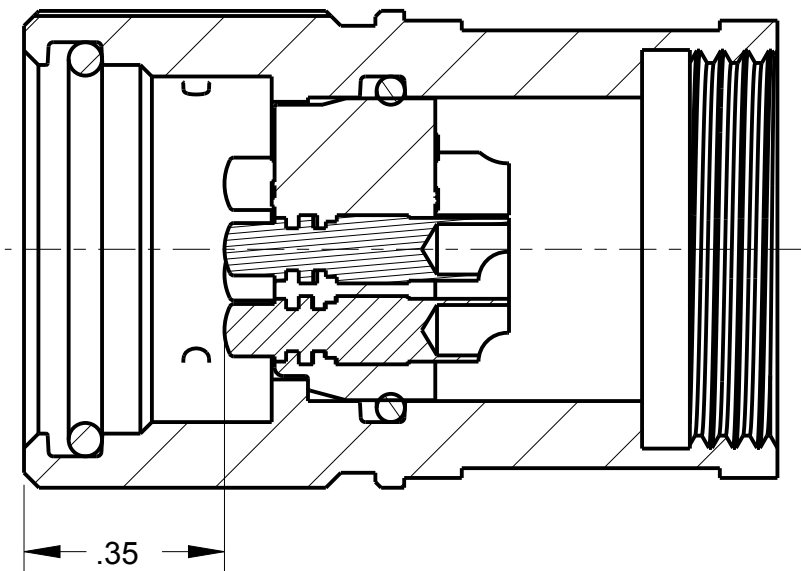
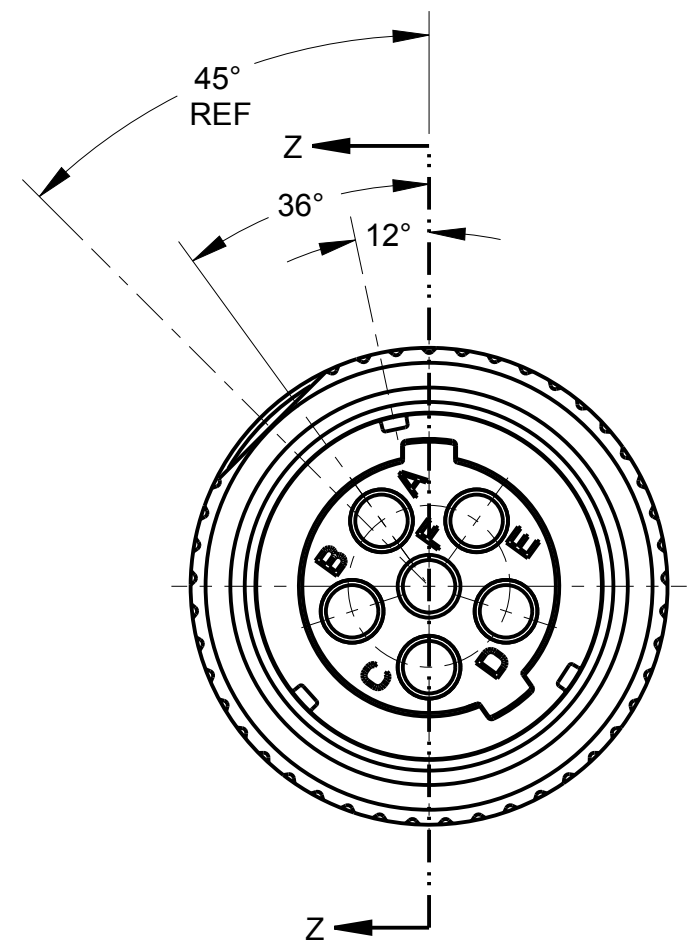


ITEM #	PART #	QTY	DESCRIPTION
1	AP-176-1MOM	1	PLUG HOUSING SUBASSEMBLY
2	AP-146-6	1	INSERT ASSEMBLY

B AP-176MOM-CP



NOTES:
1) ORDER PART NUMBER "AP-176MOM"



SECTION Z-Z

THIS DOCUMENT CONTAINS PROPRIETARY INFORMATION OF NEXUS, INCORPORATED AND SUCH INFORMATION MAY NOT BE DISCLOSED TO OTHERS FOR ANY PURPOSE OR USED FOR ANY PURPOSE WITHOUT THE WRITTEN CONSENT OF NEXUS.

LET.	REVISION	CN #	DATE	CHK.
A	NEW RELEASE		1/7 2016	HR

DWN.BY HR	DATE 1/7/16	MATERIAL	
CHECKED BY	DATE	FINISH	
APPR.BY	DATE	WEIGHT —	SCALE = 1.00 :1
UNLESS OTHERWISE SPECIFIED: DIMENSIONS ARE IN INCHES &/OR (mm)		TITLE AUDIO PLUG "M" OVERMOLD	
TOLERANCES: DECIMAL: .XX[X.X] .XXX[X.XX] ± .0X[0.X] ± .00X[0.0X]			
FRACTION: X/X ± X/XX	ANGLES: .X ± .X°	DO NOT SCALE DWG.	SHEET 1 OF 1
		NEXUS STAMFORD, CONN SIZE B DWG. NO. AP-176MOM-CP	