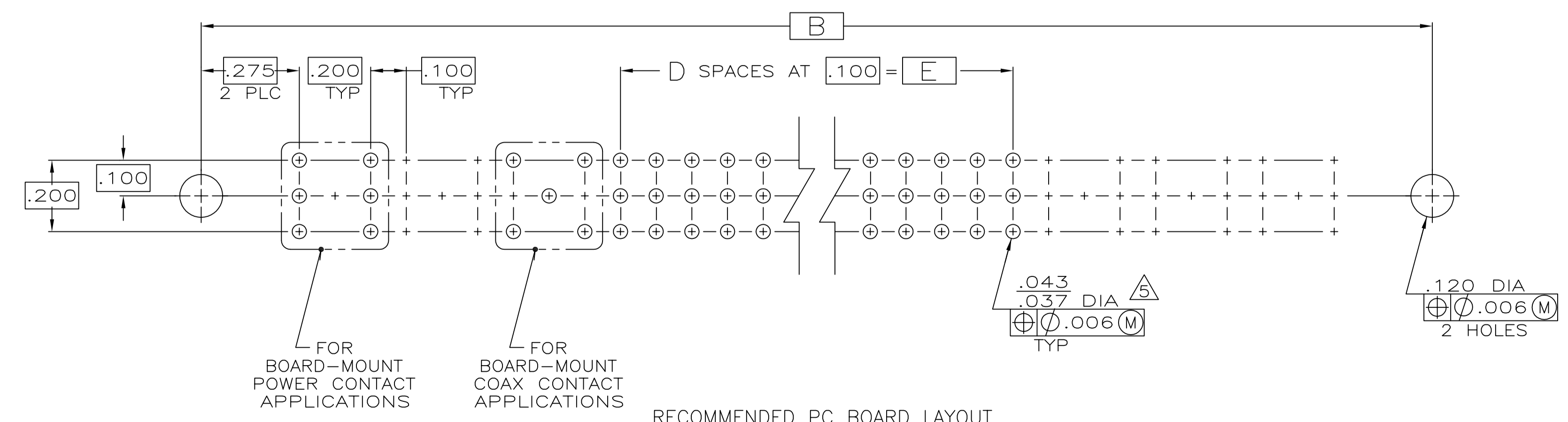
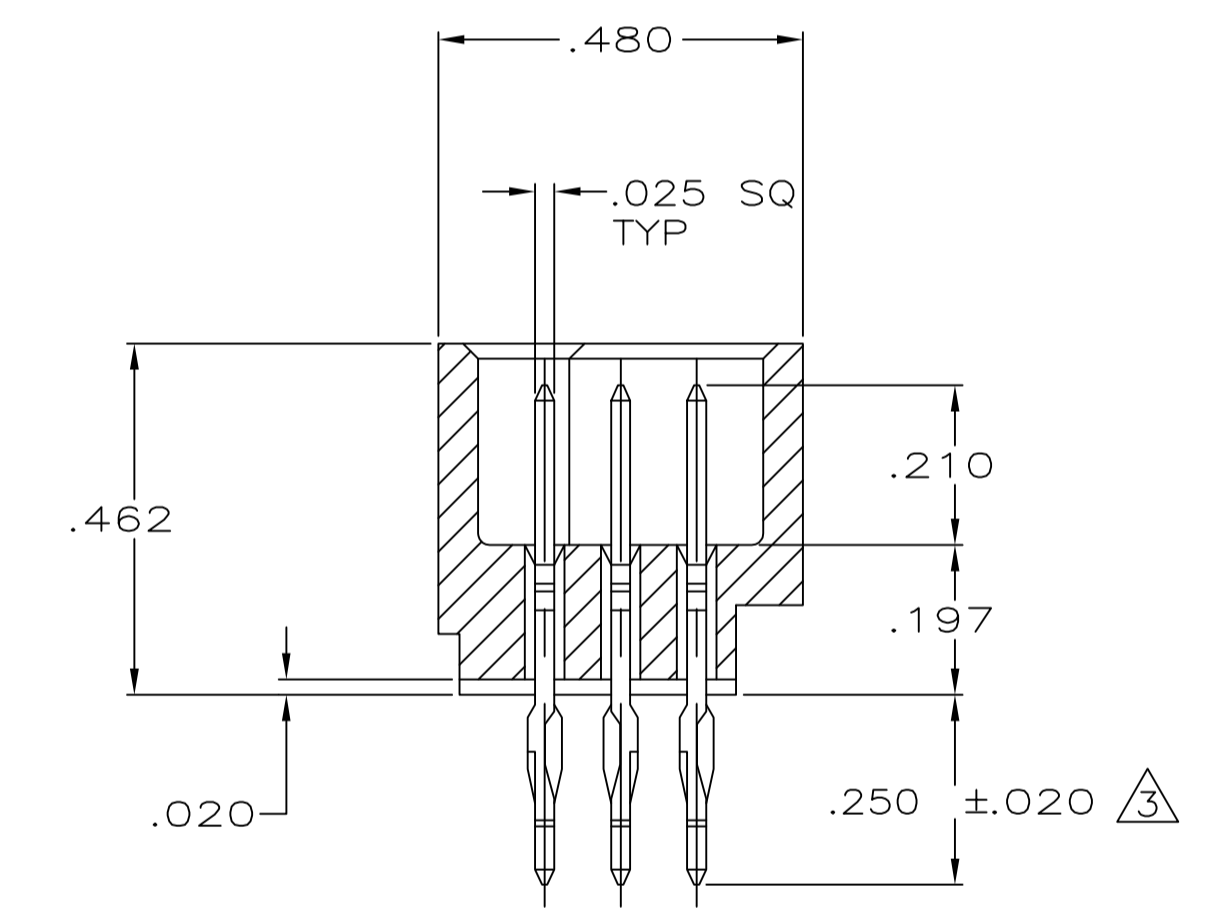
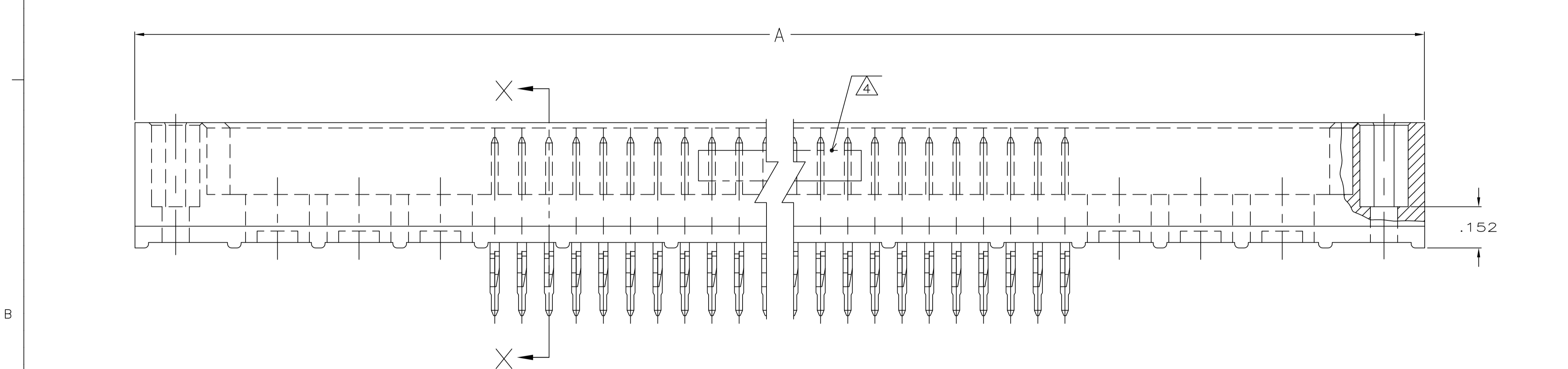
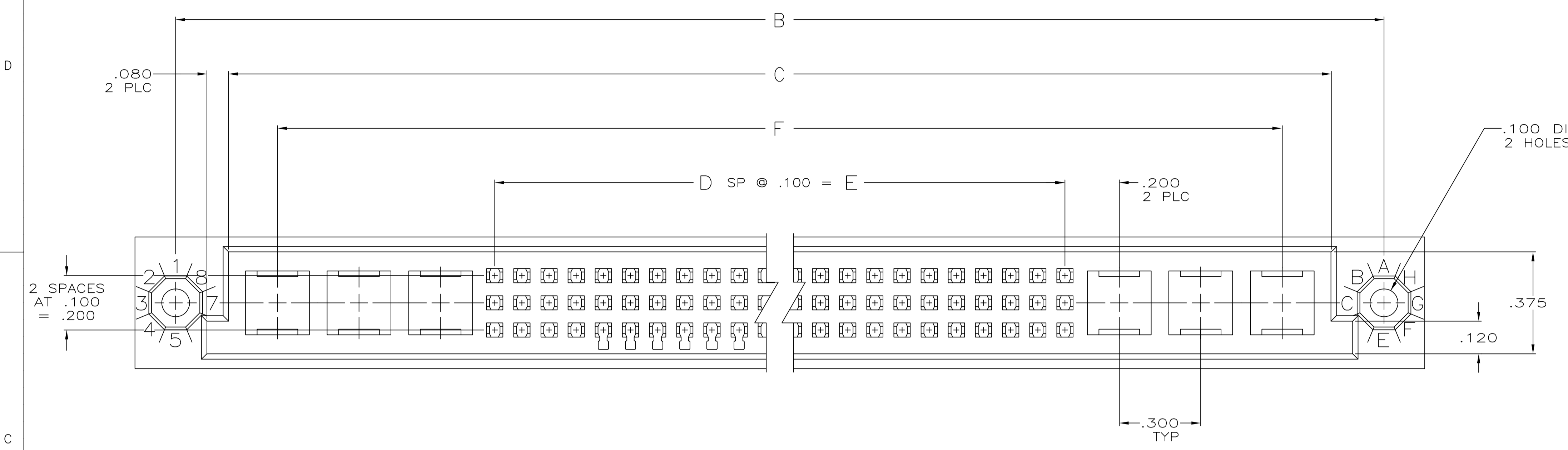


REVISIONS				
P	LTR	DESCRIPTION	DATE	APP'D
N		REVISED PER ECO-15-015252	13NOV15	BJ FY

- ① HOUSING MATERIAL: POLYPHENYLENE SULFIDE, COLOR-NATURAL.
- ② POST MATERIAL: PHOSPHOR BRONZE.
- ③ FINISH:  
MATING AREA: MEETS THE PERFORMANCE REQUIREMENTS OF PRODUCT SPECIFICATION 108-9063; BASED ON TELCORDIA DR-1217-CORE APPLICATIONS IN UNCONTROLLED ENVIRONMENTS.  
SOLDER TAILS AREA: TIN-LEAD PLATED.
- ④ MARKED 'AMP', PART NO. & DATE CODE THIS APPROXIMATE AREA.
- ⑤ ACTION PIN POSTS REQUIRE .093 MIN THK PC BOARD. RECOMMENDED PC BOARD HOLES ARE .0453 DIA DRILL PLATED THROUGH WITH .001-.003 COPPER, WITH .0003 MIN TIN-LEAD PLATING, FINISHED HOLE AFTER PLATING, .037-.043 DIA.



	3	3	2.900	1.300	13	3.250	3.650	3.950	42	1-533429-2
OBSOLETE	2	2	2.200	1.200	12	2.550	2.950	3.250	39	1-533429-1
OBSOLETE	2	2	2.900	1.900	19	3.250	3.650	3.950	60	1-533429-0
OBSOLETE	4	4	2.900	.700	7	3.250	3.650	3.950	24	533429-9
OBSOLETE	2	2	4.100	3.100	31	4.450	4.850	5.150	96	533429-8
-	-	-	-	-	-	-	-	-	-	-
-	-	-	-	-	-	-	-	-	-	-
-	-	-	-	-	-	-	-	-	-	-
OBSOLETE	1	1	7.200	6.800	68	7.550	7.950	8.250	207	533429-2
-	-	-	-	-	-	-	-	-	-	-
POWER PORTS NUMBER END	POWER PORTS LETTER END	F	E	D	C	B	A	POSN	PART NUMBER	

THIS DRAWING IS A CONTROLLED DOCUMENT.

DIMENSIONS: INCHES

TOLERANCES UNLESS OTHERWISE SPECIFIED:

0 PLC	± .010
1 PLC	± .005
2 PLC	± .005
3 PLC	± .005
4 PLC	± .005
ANGLES	± .005
FINISH	± .005

MATERIAL: ① ②

FINISH: ③

DRN: K SEIFRIED 1/10/86

CHK: G STEINHAUER 1/11/86

APVD: G STEINHAUER 1/11/86

NAME: G STEINHAUER

PRODUCT SPEC: -

APPLICATION SPEC: -

SIZE: A1

CAGE CODE: 00779

DRAWING NO: C=533429

WEIGHT: 0

CUSTOMER DRAWING

SCALE: 4:1

SHEET: 1 OF 1

REV: N

STE TE Connectivity

PIN HEADER ASSEMBLY, HDI SERIES-100 HYBRID, 3-ROW, SQUARE PORTS