

## 1 General Description

This document describes the S-VM1000-C Coupon PCB evaluation board. The coupon PCB provides a quick and simple way of evaluating the single ended analog output VM1000 microphone. The board consists of a VM1000 bottom port MEMS microphone and a 0.1uF power supply bypass capacitor along with an edge connector. The user can simply use a corresponding female connector (CW Industries CWR-170-10-0000) or solder wires to make good electrical contact to the power and output pins of the microphone.

## 2 Pinout and Pin Descriptions

The board is shown in Figure 1 as follows and the corresponding pins in table 1 have been labeled:

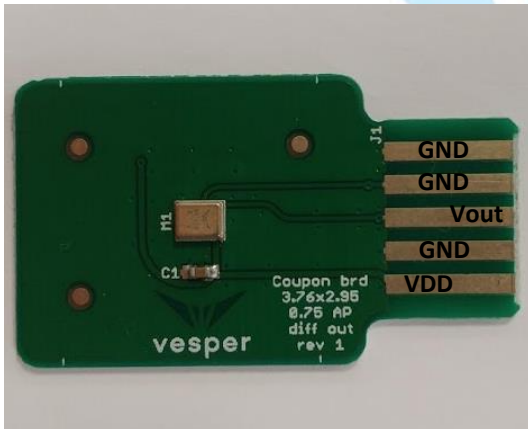


Figure 1. VM1000 Coupon PCB

Board Pin #	Name	Description
1	Gnd	Ground
2	Gnd	Ground
3	Vout	Analog Output
4	Gnd	Ground
5	Vdd	Power Supply 1.6V to 3.6V DC

Table 1. Pin descriptions

## 3 Schematic

The schematic of the board is shown in Figure 2. The S-VM1000-C Coupon pcb consists of the VM1000 microphone and the 0.1uF power supply bypass capacitor.

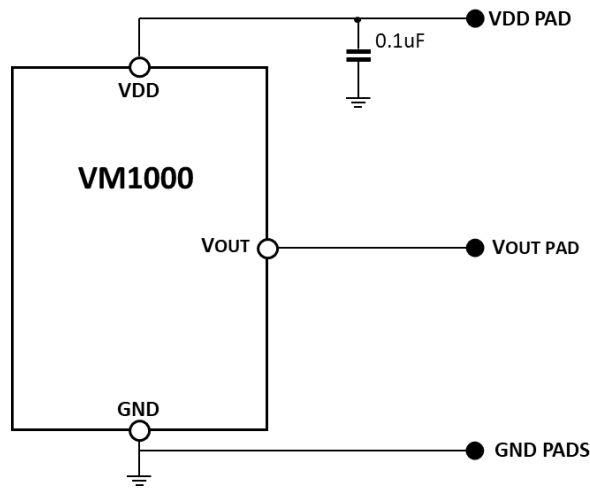


Figure 2. S-VM1000-C Coupon PCB Schematic

## 4 Other Information

The detailed specifications and description of the VM1000 microphone can be found in the product datasheet. For convenience the basic parameters and absolute maximum ratings also shown in tables 2 and 3 below:

Parameter	Typical Value	Units
Supply Voltage	1.8	V
I <sub>dd</sub>	165	μA
Sensitivity @ 94dB SPL	-38.0	dBV
	12.59	mV <sub>rms</sub>
Output Impedance	400	Ω
Output DC Offset	0.8	V

Table 2. Typical parameters for microphone operation

Parameter	Rating	Units
Supply Voltage	-0.3 to +3.6	V
Sound Pressure Level	160	dB re 20 μPa
Operating Temperature Range	-40 to +85	°C
Storage Temperature Range	-55 to +150	°C
Mechanical Shock	10,000g per IEC 60028-2-27:2008	
Vibration	Per MIL-STD 883E, 2007.2	

Table 3. Absolute Maximum Ratings