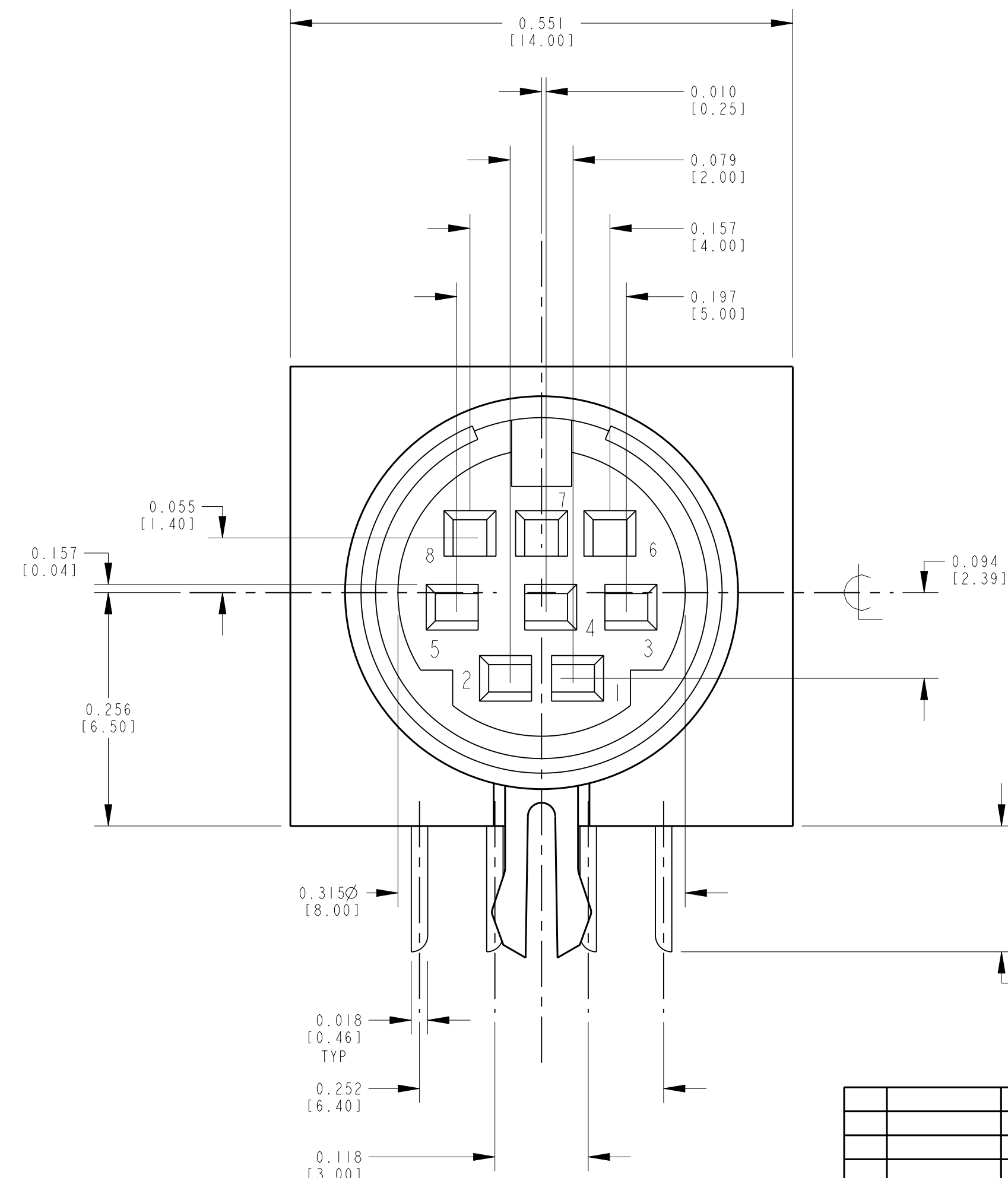
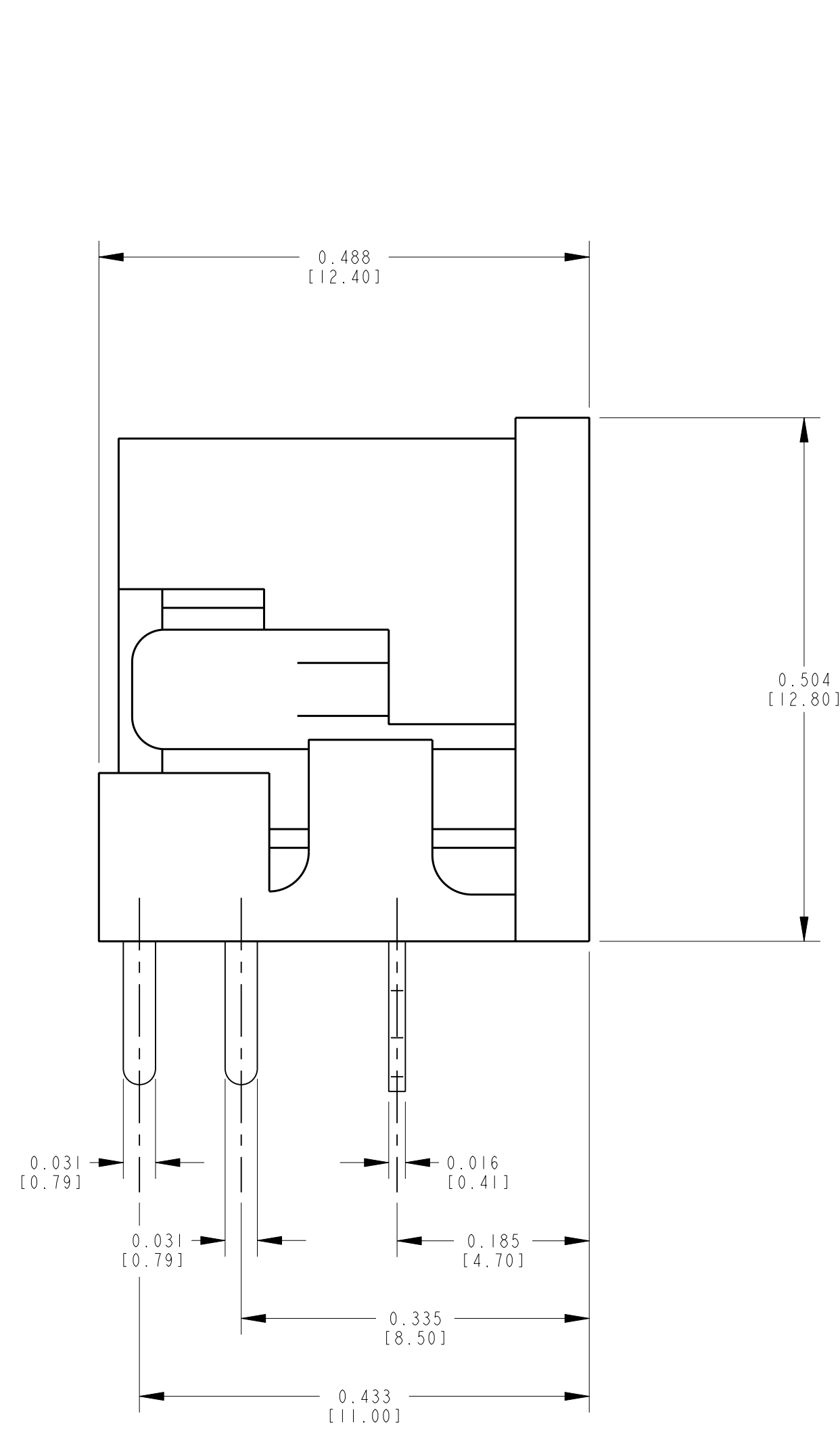


SWITCHCRAFT CATALOG PART NUMBER

30 MICRO INCHES GOLD PLATED CONTACT	S-MD3FRA020	30 MICRO INCHES GOLD PLATED CONTACT	S-MD4FRA020	30 MICRO INCHES GOLD PLATED CONTACT	S-MD5FRA020	30 MICRO INCHES GOLD PLATED CONTACT	S-MD6FRA020	30 MICRO INCHES GOLD PLATED CONTACT	S-MD7FRA020	30 MICRO INCHES GOLD PLATED CONTACT	S-MD8FRA020
<p>FRONT FACE OF CONTACTS</p>		<p>FRONT FACE OF CONTACTS</p>		<p>FRONT FACE OF CONTACTS</p>		<p>FRONT FACE OF CONTACTS</p>		<p>FRONT FACE OF CONTACTS</p>		<p>FRONT FACE OF CONTACTS</p>	
<p>RECOMMENDED P.C. BOARD LAYOUT (SOLDER SIDE) SCALE: 1: .375</p>		<p>RECOMMENDED P.C. BOARD LAYOUT (SOLDER SIDE) SCALE: 1: .375</p>		<p>RECOMMENDED P.C. BOARD LAYOUT (SOLDER SIDE) SCALE: 1: .375</p>		<p>RECOMMENDED P.C. BOARD LAYOUT (SOLDER SIDE) SCALE: 1: .375</p>		<p>RECOMMENDED P.C. BOARD LAYOUT (SOLDER SIDE) SCALE: 1: .375</p>		<p>RECOMMENDED P.C. BOARD LAYOUT (SOLDER SIDE) SCALE: 1: .375</p>	



CURRENT CARRYING CAPACITY

1A, 100V AC
2A, 12V DC
INSULATION RESISTANCE: 50M Ω MIN
DIELECTRIC STRENGTH: 250V DC/1 MINUTE
CONTACT RESISTANCE: 30m Ω MAX I
INSERTION FORCE: 0.8-5 KG / 1.76-11.1b
EXTRACTION FORCE: 0.8-4 KG / 1.76-8.81b

CUSTOMER DRAWING

CAD/CAM DWG. NO. SMD3-SMD8FRA020_C D
SHEET 1 OF 1

STAR SYMBOL DENOTES CRITICAL DIMENSION. SEE SPC ENGINEERING STANDARD ES-0001. THIS DRAWING DESCRIBES A DESIGN CONSIDERED PROPRIETARY IN NATURE, DEVELOPED AND MANUFACTURED BY SWITCHCRAFT INC. AND IS RELEASED ON A CONFIDENTIAL BASIS FOR IDENTIFICATION PURPOSE ONLY.

UNLESS OTHERWISE SPECIFIED				FINISH	MATERIAL
1. ALL DIMENSIONS IN INCHES	2. DECIMAL DIMENSIONS \pm .005	3. FRACTIONAL DIMENSIONS \pm 1/64	4. ANGLES \neq 12 $^\circ$	GOLD PLATE	SPEC. NO.
5. ALL DIA'S CONCENTRIC WITHIN .005 T.I.R.	6. REMOVE ALL BURRS	7. MAKE NO DIMENSIONAL ALLOWANCES FOR APPLIED FINISHES, I.E.: PLATING, PAINTING, ETC.	8. HOLES ON THE SAME CENTERLINE MUST BE ALIGNED WITHIN \pm .002	SCALE NTS	Switchcraft
REVISIONS				DATE	ISSUE
ECO #21014	6-10-86	DEA	KS	9-6-90	1
ECO #19704	3-24-85	RC	GHJ	10-10-90	2
FIRST DRAW	9-6-90	SG	EB		
CHANGE NO.	DATE	BY	APP'D		

DO NOT SCALE DRAWING

Pro/Engineer CAD File ROUTING

Mouser Electronics

Authorized Distributor

Click to View Pricing, Inventory, Delivery & Lifecycle Information:

[Switchcraft:](#)

[SMD8FRA020](#)