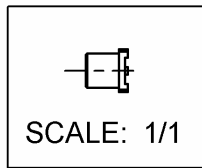
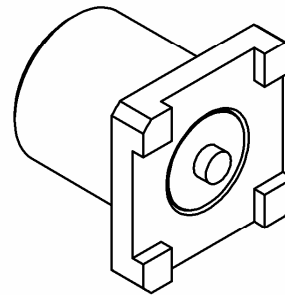
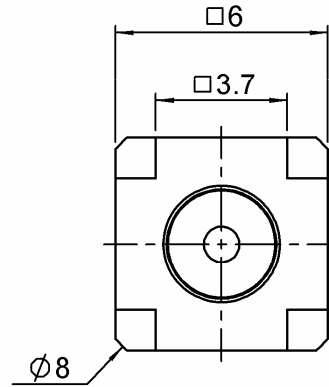
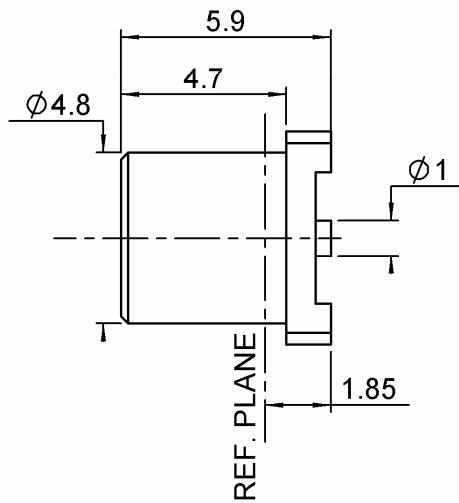


**STRAIGHT FEMALE RECEPTACLE FOR PCB**

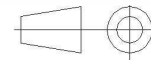
**R113A.424.020**

**SMT TYPE - REEL OF 500**

Series : **MCX**



All dimensions are in mm.



COMPONENTS	MATERIALS	PLATING (µm)
BODY	BRASS	GOLD
CENTER CONTACT	BERYLLIUM COPPER	GOLD
OUTER CONTACT	-	-
INSULATOR	PTFE	-
GASKET	-	-
OTHERS PARTS	-	-
-	-	-
-	-	-

Issue : 0927 A

In the effort to improve our products, we reserve the right to make changes judged to be necessary.



**STRAIGHT FEMALE RECEPTACLE FOR PCB**

**R113A.424.020**

**SMT TYPE - REEL OF 500**

Series : **MCX**

**PACKAGING**

Standard	Unit	Other
<b>500</b>	<b>'W' option</b>	<b>Contact us</b>

**SPECIFICATION**

**ELECTRICAL CHARACTERISTICS**

Impedance	<b>50</b>	$\Omega$
Frequency	<b>0-6</b>	GHz
VSWR	<b>1.3 + 0.0000</b>	x F(GHz) Maxi
Insertion loss	<b>0.102</b>	$\sqrt{F}$ (GHz) dB Maxi
RF leakage	- ( <b>NA</b> )	- F(GHz)) dB Maxi
Voltage rating	<b>170</b>	Veff Maxi
Dielectric withstanding voltage	<b>750</b>	Veff mini
Insulation resistance	<b>1000</b>	M $\Omega$ mini

**ENVIRONMENTAL**

Operating temperature	<b>-40/+85</b>	$^{\circ}$ C
Hermetic seal	<b>NA</b>	Atm.cm3/s
Panel leakage	<b>NA</b>	

**OTHER CHARACTERISTICS**

Assembly instruction

Others :

**MECHANICAL CHARACTERISTICS**

Center contact retention		
Axial force – Mating end	<b>10</b>	N mini
Axial force – Opposite end	<b>10</b>	N mini
Torque	<b>NA</b>	N.cm mini
Recommended torque		
Mating	<b>NA</b>	N.cm
Panel nut	<b>NA</b>	N.cm
Mating life	<b>100</b>	Cycles mini
Weight	<b>0.6000</b>	g

Issue : 0927 A

In the effort to improve our products, we reserve the right to make changes judged to be necessary.



**STRAIGHT FEMALE RECEPTACLE FOR PCB**

**R113A.424.020**

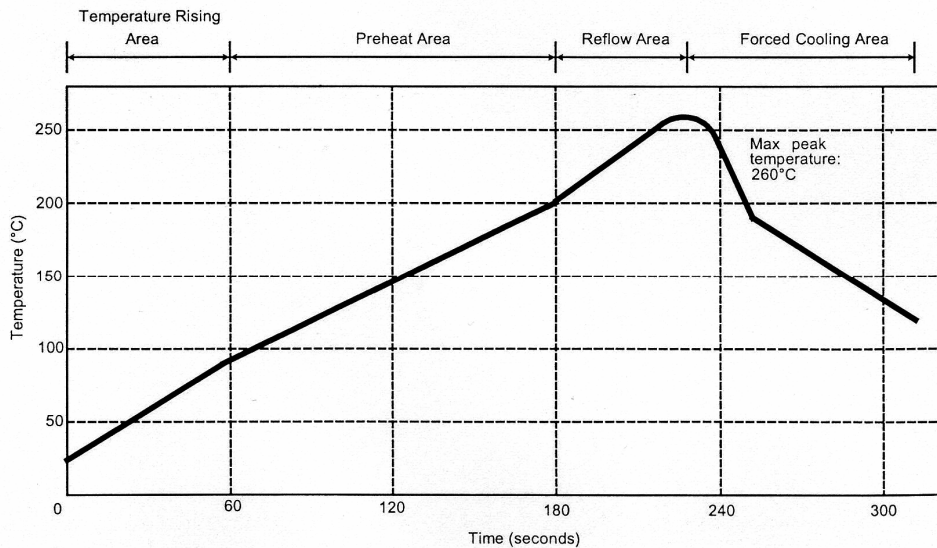
**SMT TYPE - REEL OF 500**

Series : **MCX**

**SOLDER PROCEDURE**

1. Deposit solder paste 'Sn Ag4 Cu0.5' on mounting zone by screen printing application. We recommend a low residue flux. We advise a thickness of 150 microms mini. ( .006 inch mini ). Verify that the edges of the zone are clean.
2. Placement of the receptacle on the mounting zone with an automatic machine of 'pick and place' type. Aspiration port (see page 4) centered into body and push against it. A video camera is recommended for positioning of the component . Adhesive agents must not be used on the receptacle.
3. Soldering by infra-red reflow. Below please find ,the typical profile to use.
4. Cleaning of printed circuit boards.
5. Verification of solder joints and position of the component by visual inspection.

**TEMPERATURE PROFIL**



Parmeter	Value	Unit
Temperature rising Area	1 - 4	°C/sec
Max Peak Temperature	260	°C
Max dwell time @260°C	10	sec
Min dwell time @235°C	20	sec
Max dwell time @235°C	60	sec
Temperature drop in cooling Area	-1 to - 4	°C/sec
Max dwell time above 100°C	420	sec

**Issue : 0927 A**

In the effort to improve our products, we reserve the right to make changes judged to be necessary.

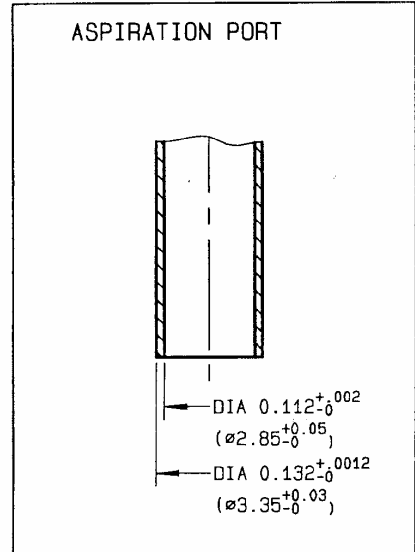
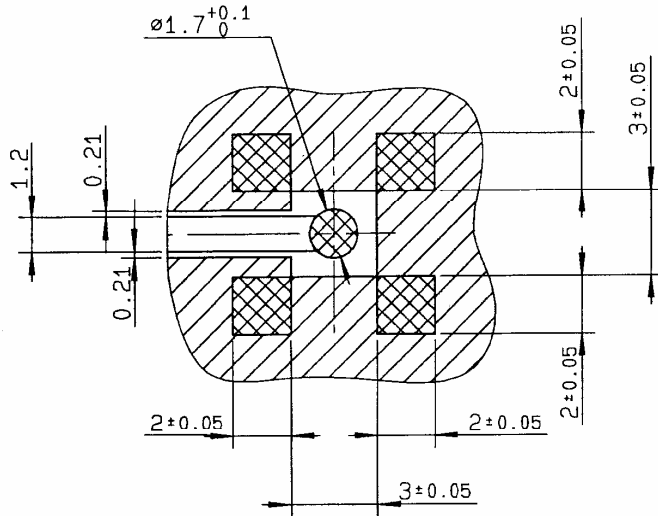


**STRAIGHT FEMALE RECEPTACLE FOR PCB**

**R113A.424.020**

**SMT TYPE - REEL OF 500**

Series : **MCX**



**COPLANAR LINE**

Pattern and signal are on the same side  
 Thickness of PCB : .063 (1.6 mm)  
 The material of PCB is the epoxy resin  
 of glass fabrics bacs. (Er = 4.8)  
 The solder resist should be printed  
 except for the land pattern on the PCB.

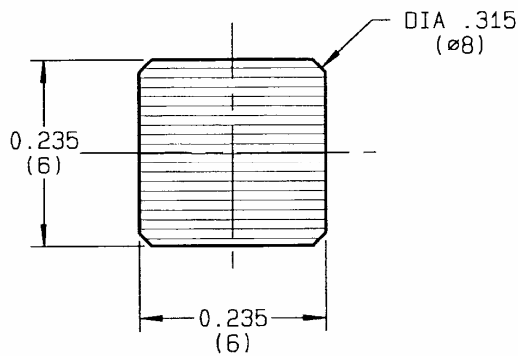


Pattern



Land for solder paste

**SHADOW OF MCX RECEPTACLE  
 FOR VIDEO CAMERA**



Issue : 0927 A

In the effort to improve our products, we reserve the right to make changes judged to be necessary.



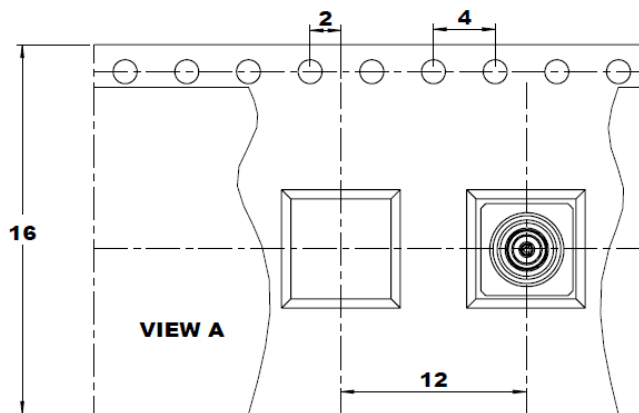
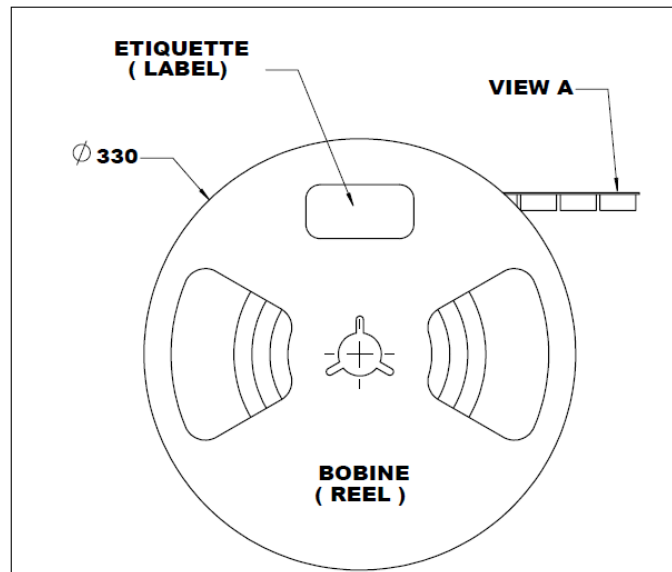
**STRAIGHT FEMALE RECEPTACLE FOR PCB**

**R113A.424.020**

**SMT TYPE - REEL OF 500**

Series : **MCX**

**PACKAGE**



Issue : 0927 A

In the effort to improve our products, we reserve the right to make changes judged to be necessary.

