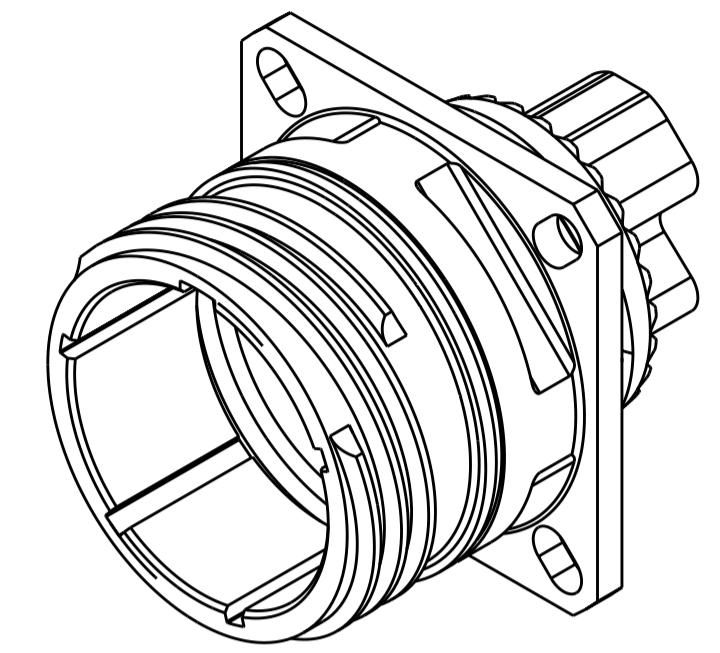
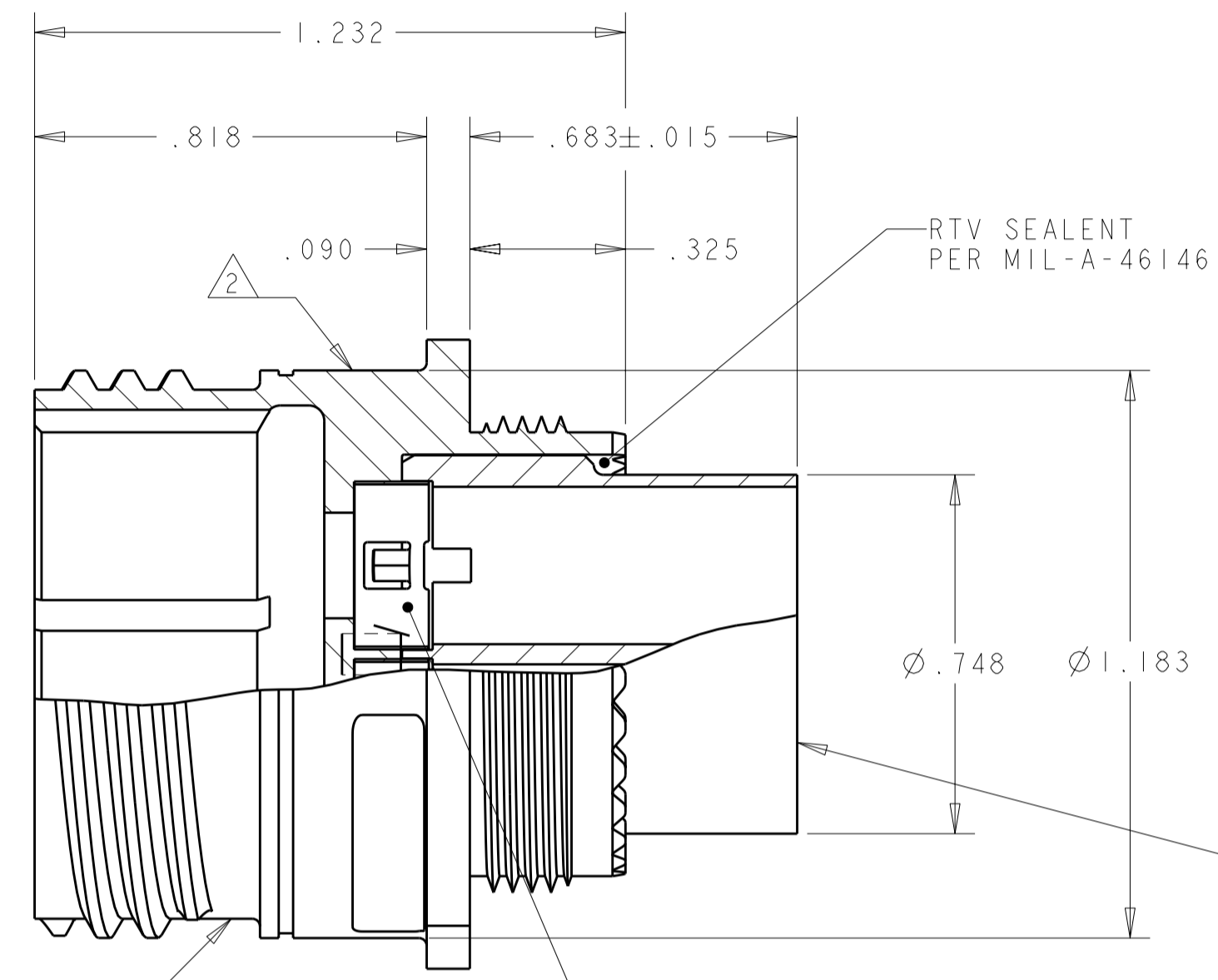
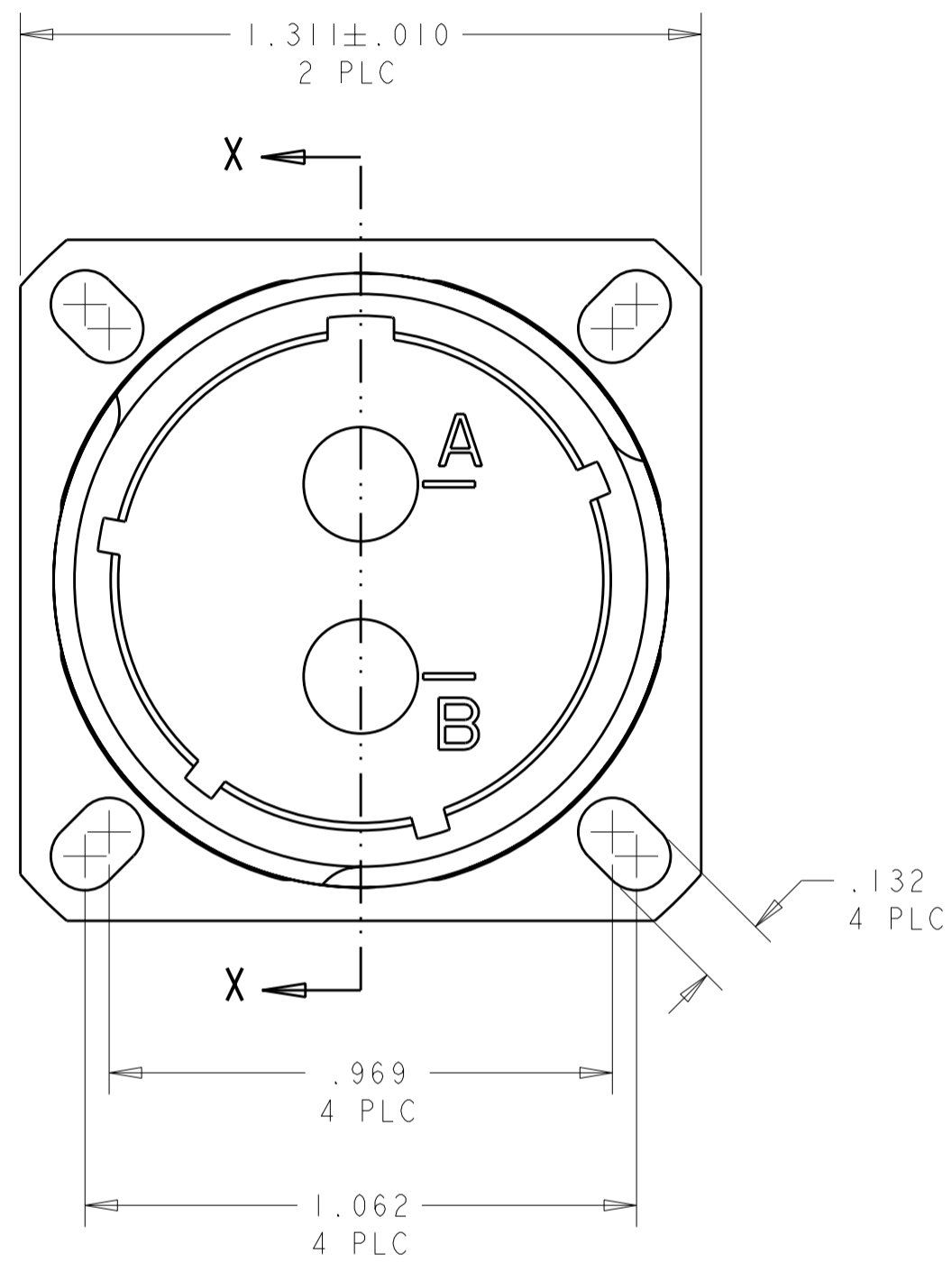


THIS DRAWING IS UNPUBLISHED. RELEASED FOR PUBLICATION  
 © COPYRIGHT BY TYCO ELECTRONICS CORPORATION. ALL RIGHTS RESERVED.

LOC	DIST	REVISIONS					
DF	X0	P	LTR	DESCRIPTION	DATE	DWN	APVD
		D		REV PER ECO 09-025507	12-11-09	CT	DM



SCALE 2:1

RETAINER PLATE  
 MAT'L: CONDUCTIVE  
 COMPOSITE THERMOPLASTIC

RCPT SHELL  
 MAT'L: ALUMINUM ALLOY  
 FINISH: SEE TABLE

SECTION X-X

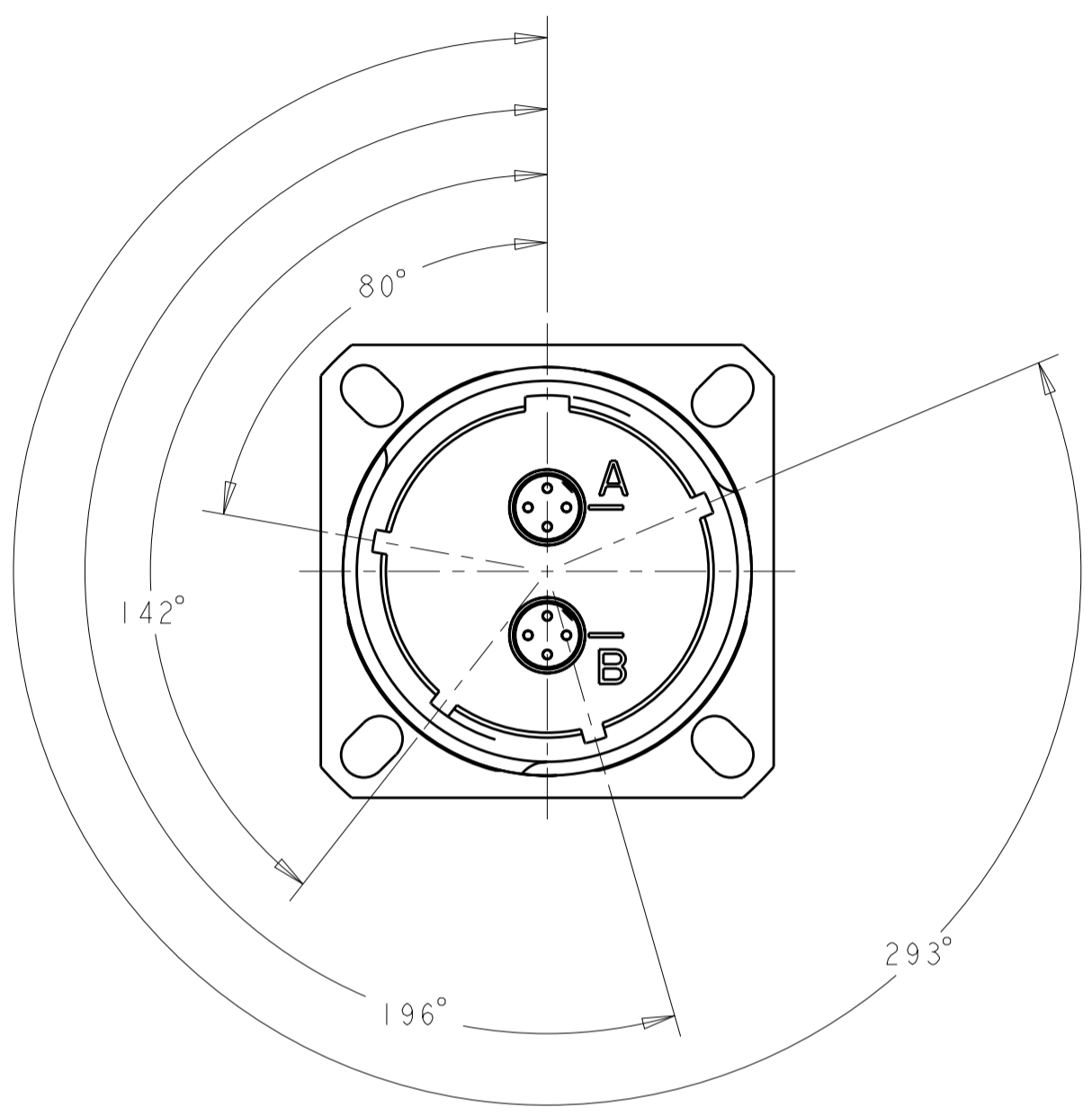
FINISH	REMARKS	SHELL KEYING ARRANGEMENT	PART NUMBER
NICKEL	--	B	1877774-9
NICKEL	--	A	1877774-8
NICKEL	--	N	1877774-7
OLIVE DRAB	①	B	1877774-6
OLIVE DRAB	①	A	1877774-5
OLIVE DRAB	①	N	1877774-4
NICKEL	①	B	1877774-3
NICKEL	①	A	1877774-2
NICKEL	①	N	1877774-1

- ① THIS CONNECTOR KIT INCLUDES TE QUADRAX PIN ASSEMBLY; PART NUMBER 1445692-3, QTY = 2 PER KIT
- ② PART IS MARKED WITH TE PART NO. (SEE TABLE), Tyco Electronics OR TE, TE CAGE CODE (00779) AND DATE CODE.
- 3. OPERATING TEMPERATURE RANGE: -65°C TO +125°C (-85°F TO +257°F)
- 4. THE CONNECTOR QUALIFICATION WAS COMPLETED PER TE SPEC. 108-2199. THE QUADRAX CONTACTS ARE QUALIFIED PER TE SPEC. 108-2131. THE REFERENCE TEST REPORTS ARE TE SPEC. 501-660 FOR THE CONNECTOR AND 501-574 FOR THE CONTACTS WHICH ARE SAME AS ARINC 600-13, DRAFT 2 OF SUPPLEMENT 14 (AIR TRANSPORT AVIONICS EQUIPMENT INTERFACES).

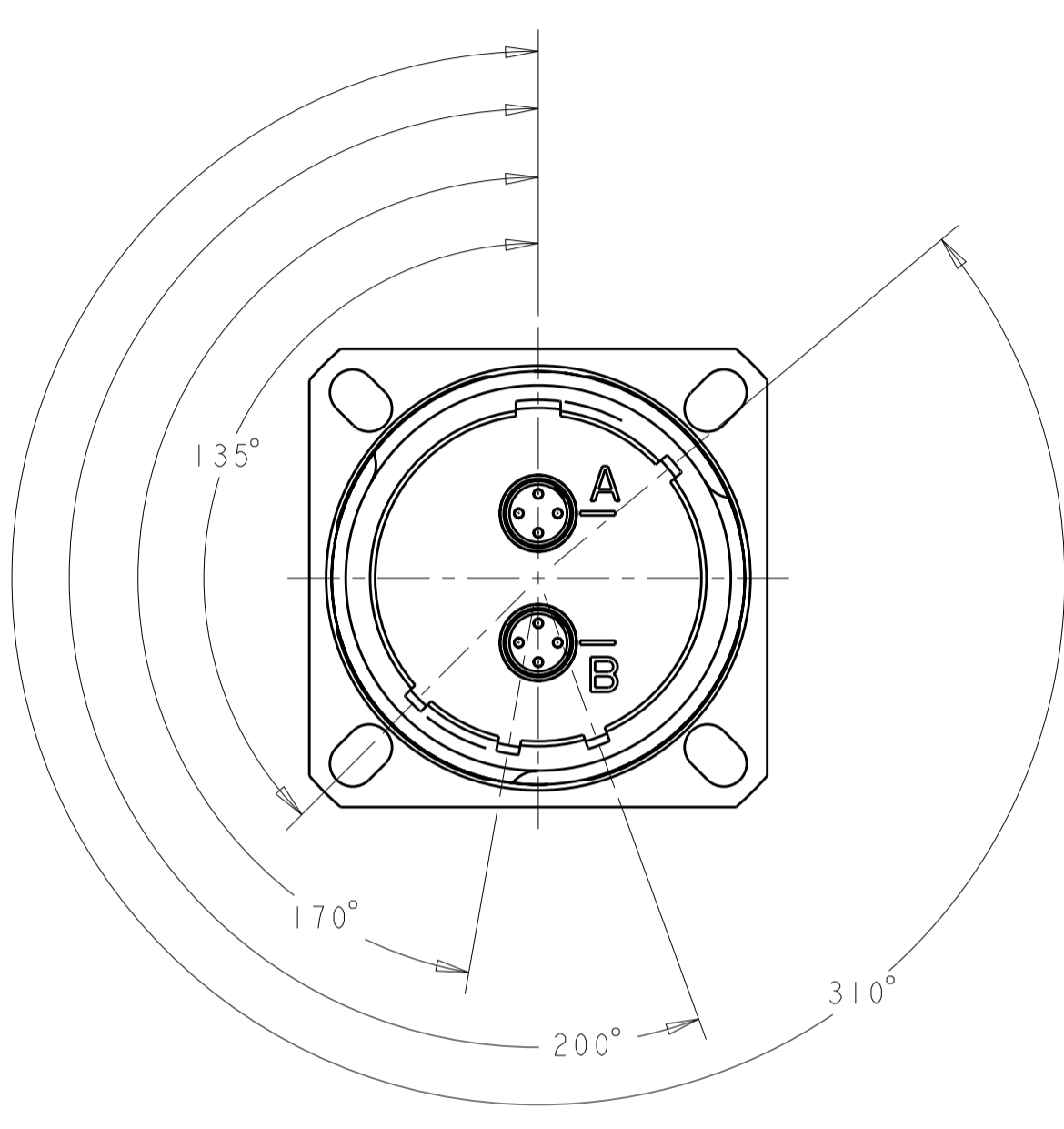
THIS DRAWING IS A CONTROLLED DOCUMENT FOR TYCO ELECTRONICS CORPORATION. IT IS SUBJECT TO CHANGE AND THE CONTROLLING ENGINEERING ORGANIZATION SHOULD BE CONTACTED FOR THE LATEST REVISION.		DWN R FLAIG 09FEB2006	Tyco Electronics Harrisburg, PA 17105-3608	
DIMENSIONS: INCHES		CHK L OH 09FEB2006	NAME ASSY, RECEPTACLE, SIZE 17, 202, M38999 STYLE, SERIES IIII	
TOLERANCES UNLESS OTHERWISE SPECIFIED: 0 PLC ± 1 PLC ±.01 2 PLC ±.01 3 PLC ±.005 4 PLC ±.0020 ANGLES ±1°		APVD L OH 09FEB2006		
MATERIAL SEE CALLOUTS -		PRODUCT SPEC -	SIZE A2	CAGE CODE 00779
FINISH SEE CALLOUTS -		APPLICATION SPEC -	DRAWING NO 1877774	RESTRICTED TO -
CUSTOMER DRAWING		WEIGHT -	SCALE 1:1	SHEET 1 OF 2

THIS DRAWING IS UNPUBLISHED. RELEASED FOR PUBLICATION 20  
 © COPYRIGHT 20 BY TYCO ELECTRONICS CORPORATION. ALL RIGHTS RESERVED.

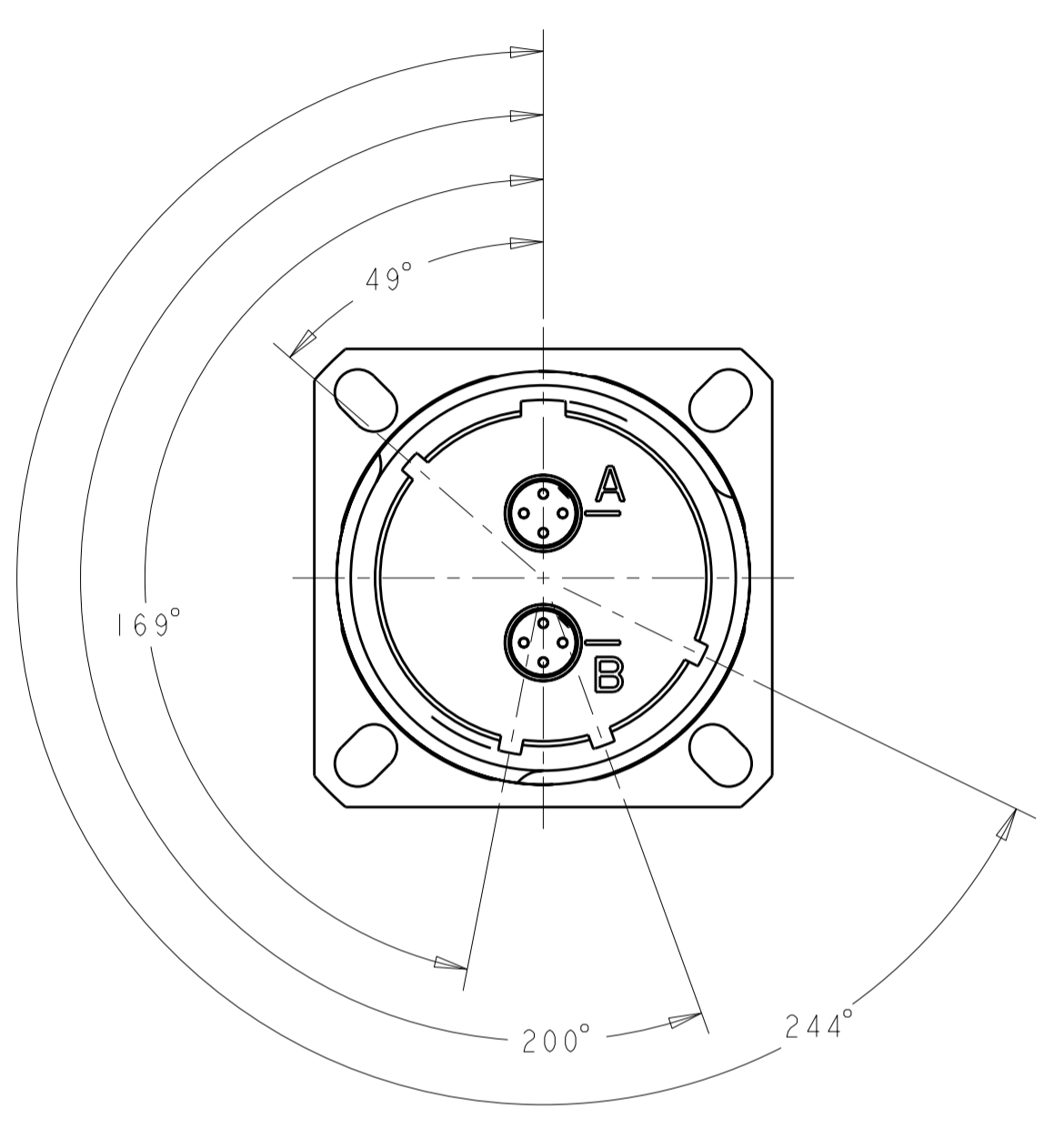
LOC		DIST		REVISIONS			
P	LTR	DATE	DWN	APVD	DESCRIPTION		
-	-	-	-	-	SEE SHEET 1		



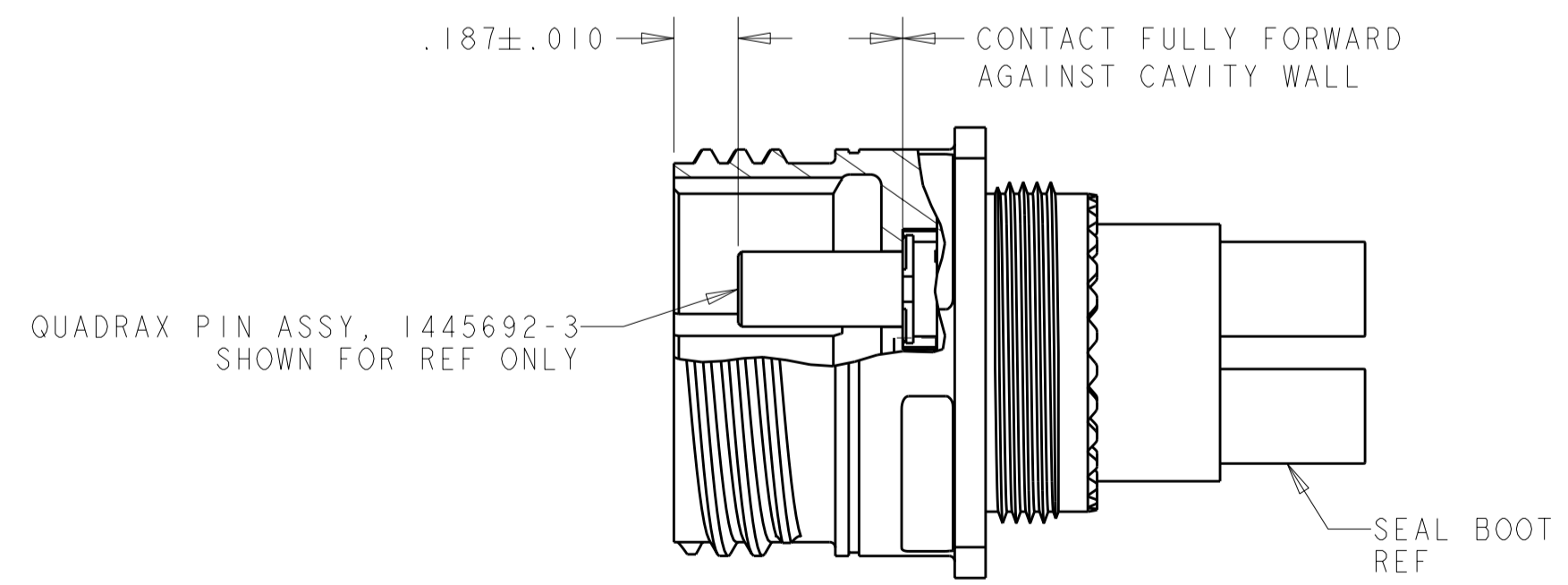
"N" KEY POLARIZATION  
SCALE 2:1



"A" KEY POLARIZATION  
SCALE 2:1



"B" KEY POLARIZATION  
SCALE 2:1



SECTION X-X  
SCALE 2:1

<small>THIS DRAWING IS A CONTROLLED DOCUMENT FOR TYCO ELECTRONICS CORPORATION. IT IS SUBJECT TO CHANGE AND THE CONTROLLING ENGINEERING ORGANIZATION SHOULD BE CONTACTED FOR THE LATEST REVISION.</small>		DWN R FLAIG 09FEB2006 CHK L OH 09FEB2006 APVD L OH 09FEB2006	<b>Tyco Electronics</b> Tyco Electronics Harrisburg, PA 17105-3608
DIMENSIONS: INCHES 	TOLERANCES UNLESS OTHERWISE SPECIFIED: 0 PLC ± 1 PLC ± 2 PLC ±.01 3 PLC ±.005 4 PLC ±.0020 ANGLES ±1° FINISH	PRODUCT SPEC APPLICATION SPEC WEIGHT CUSTOMER DRAWING	NAME ASSY, RECEPTACLE, SIZE 17, 202, M38999 STYLE, SERIES III SIZE A2 CAGE CODE 00779 DRAWING NO. C-187774 RESTRICTED TO - SCALE 3:1 SHEET 2 OF 2 REV D