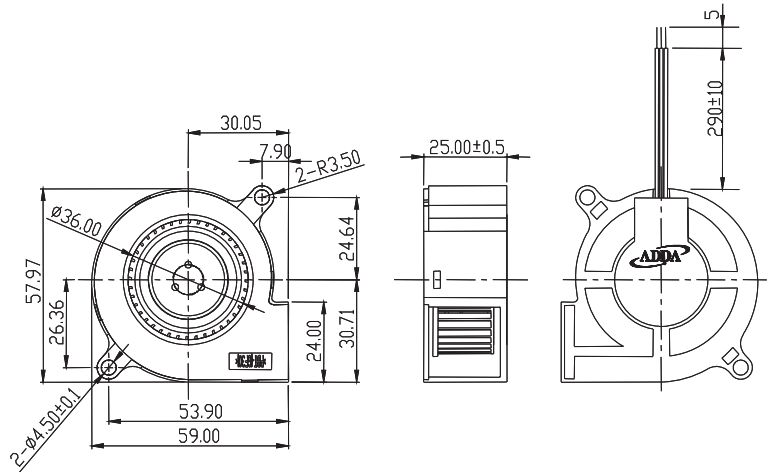




AB6025 SERIES

External Dimensions



Frame:Plastic(UL:94V-0)
 Impeller:Plastic(UL:94V-0)
 Lead wire:UL1007AWG24

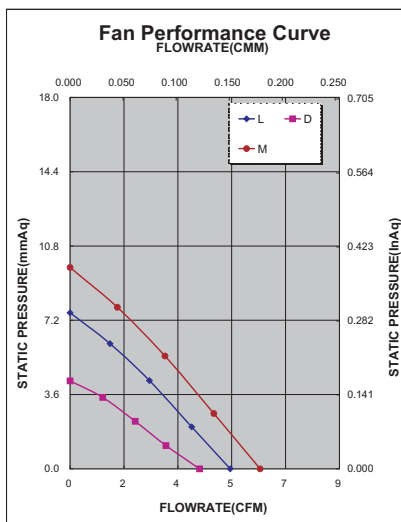
Specifications(Nominal)

*:Noise is measured at the distance of one (1) meter from the axis of intake.

Bearing type: ◎=Ball ※=Sleeve ●=Hypro bearing

Frame size (mm)	Model No.	Bearing System Type	Rated Voltage (VDC)	Current (A)	Power (W)	Rated Speed (rpm)	Maximum AirFlow (CMM)	Maximum AirFlow (CFM)	Maximum Pressure (InAq)	Maximum Pressure (mmAq)	*Noise Level (dB/A)	Weight (g)
60x60x25	AB06012DB250300	◎	12	0.05	0.60	2300	0.122	4.30	0.160	4.06	21.5	45.6
	AB06012LB250300	◎	12	0.09	1.03	2800	0.150	5.30	0.290	7.37	28.5	
	AB06012MB250300	◎	12	0.13	1.50	3300	0.178	6.30	0.380	9.65	34.5	

Specifications subject to change without notice.



*Motor protective circuit and third lead wire functions

0	1	2	3	4	6	7	8	9	A	B
	✓		✓							

*Safety approvals

✓	✓		✓	✓