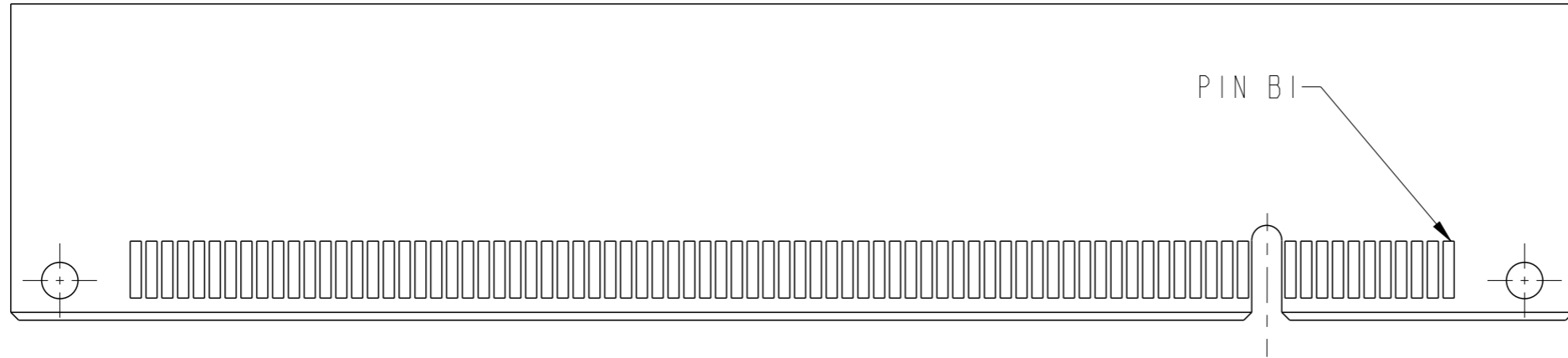
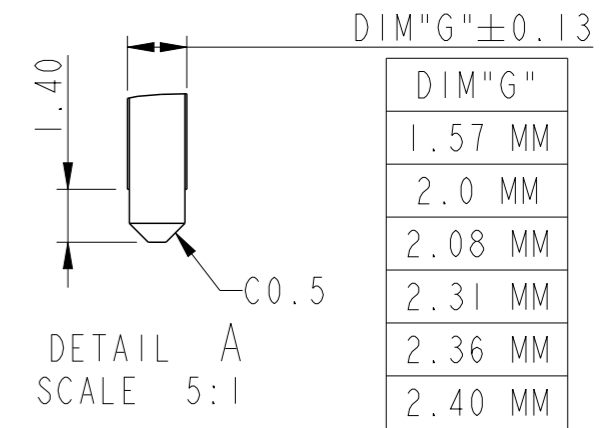
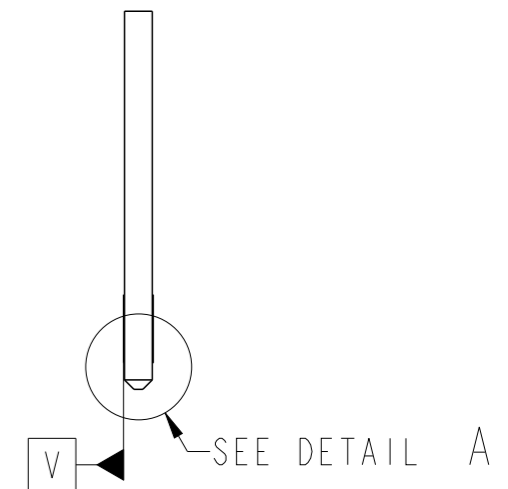
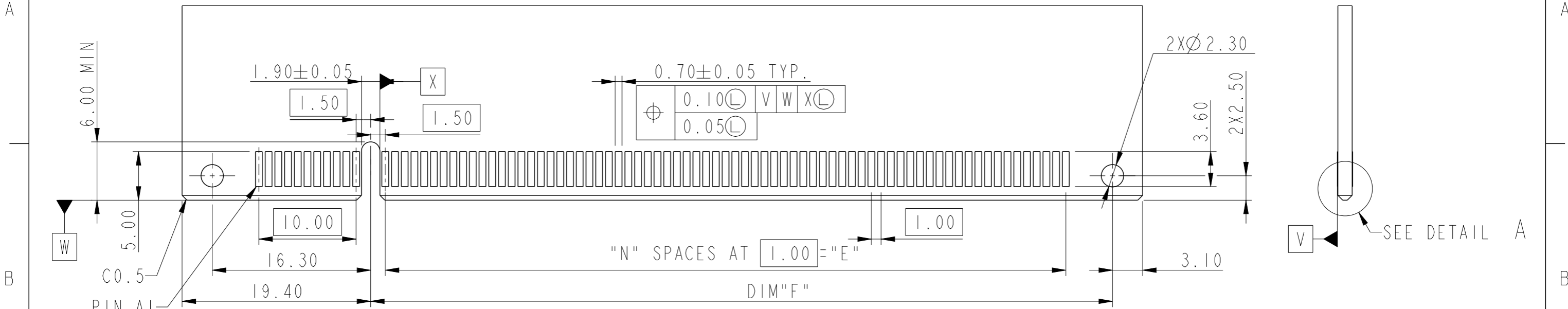


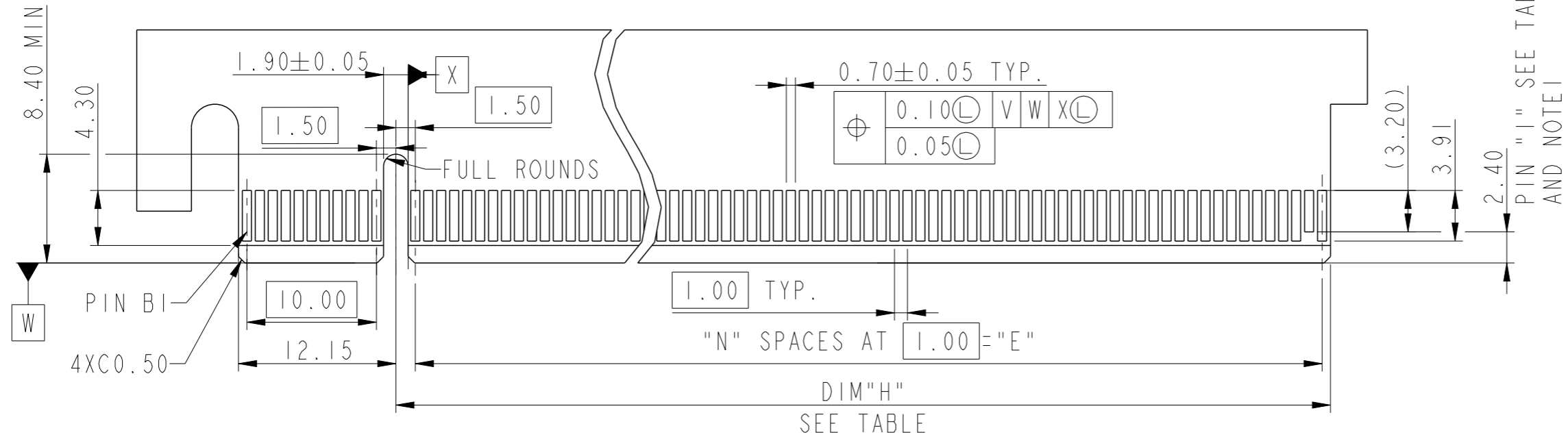
spec ref	dr	Jeny Ren	2017/11/01	projection	MM	size	A3	scale	2:1
tolerance std	eng	Jeny Ren	2018/05/15			ecn no	ELX-DG-30127-1	rel level	Released
ASME Y14.5	chr	-	2018/05/22						
surface	linear	0.X	±0.30	<b>Amphenol FCI</b> PCI EXPRESS 4.0 STRADDLE MOUNT www.fci.com	cat. no.	dwg no	10146027	rev	B
		0.XX	±0.20						
ASME Y14.5	angular	0°	±2°						



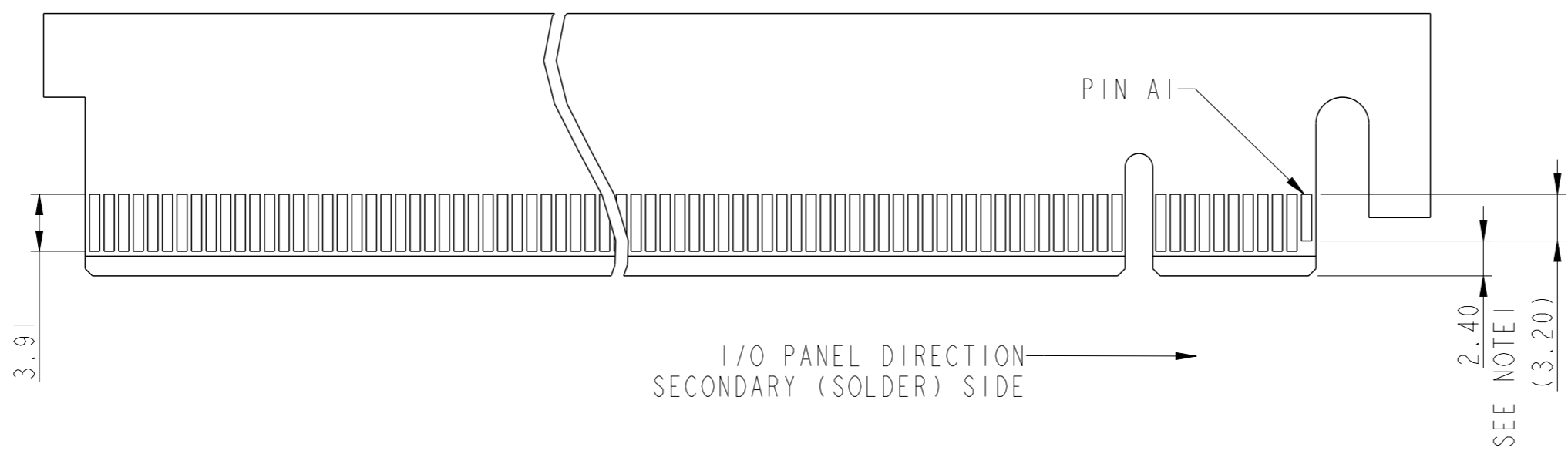
RECOMMENDED PCB LAYOUT

POSITION	N	DIM'F'
36	6	12.30
64	20	26.30
98	37	43.30
164	70	76.30

spec ref	dr	Jeny Ren	2017/11/01	projection	MM	size	A3	scale	2:1	
tolerance std	eng	Jeny Ren	2018/05/15		← →	ecn no	ELX-DG-30127-1	rel level	Released	
ASME Y14.5	chr	-	-							
surface  linear ASME Y14.5 angular	TOLERANCES UNLESS OTHERWISE SPECIFIED		appr Nickor Zuo 2018/05/22		product family		PCI EXPRESS 4.0 STRADDLE MOUNT		dwg no 10146027	rev B
	0.X	±0.30	Amphenol FCI www.fci.com		cat. no.		Product-Customer Drw		sheet 2 of 4	
	0.XX	±0.20								
	0.XXX	±0.1								
	0°	±2°								



- NOTES:
1. NO TIE BAR PERMITTED FROM CARD EDGE TO LEADING EDGE OF PAD FOR PINS AI AND PIN "I".
  2. CHAMFER EDGES MUST BE FREE OF CUTTING BURRS.
  3. TOLERANCE : ± 0.13



POSITION	N	DIM"H"	PIN "I" (SEE NOTE 1)
36	6	8.15	B17
64	20	22.15	B31
98	37	39.15	B48
164	70	72.15	B81

spec ref	dr	Jeny Ren	2017/11/01	projection	MM	size	A3	scale	2:1
tolerance std	eng	Jeny Ren	2018/05/15			ecn no	ELX-DG-30127-1	rel level	Released
ASME Y14.5	chr	-	-						
surface  ASME Y14.5	TOLERANCES UNLESS OTHERWISE SPECIFIED	linear	0.X	±0.30	<b>Amphenol FCI</b> PCI EXPRESS 4.0 STRADDLE MOUNT www.fci.com	title PCI EXPRESS 4.0 STRADDLE MOUNT cat. no.	dwg no 10146027	rev B	
			0.XX	±0.20					
			0.XXX	±0.1					
	angular	0°	±2°	Product-Customer Drw	sheet 3 of 4				

NOTES:

- MATERIAL:  
HOUSING: HIGH PERFORMANCE RESINS, BLACK, UL94 V-0 RATED.  
CAP: HIGH PERFORMANCE RESINS, BLACK.  
CONTACT: COPPER ALLOY.
- PLATING:  
UNDERPLATE: 50 u" MIN NICKEL OVER ALL  
SOLDER AREA: 100 u" MIN TIN (LEAD FREE)  
MATING AREA: SEE PRODUCT PART NUMBER.
- PRODUCT SPECIFICATION: GS-12-1193
- PACKAGE SPECIFICATION: GS-14-2401.
- PRODUCT MEETS EUROPEAN UNION DIRECTIVES AND OTHER COUNTRY REGULATIONS AS DESCRIBED IN GS-22-008.
- ONLY P/N 10146027-XXXX10XX CAN GO IR REFLOW PROCESS.
- THIS PRODUCT WILL WITHSTAND EXPOSURE TO 260°C PACK TEMPERATURE FOR 10 SECONDS IN REFLOW SOLDERING APPLICATION.
- DATE CODE BE PRINTED ON PROPER SURFACE.

PRODUCT PART NUMBER:

10146027- X X X X X X X X

NO. OF POSITION  
36:36 POSITIONS  
64:64 POSITIONS  
98:98 POSITIONS  
A4:164 POSITIONS

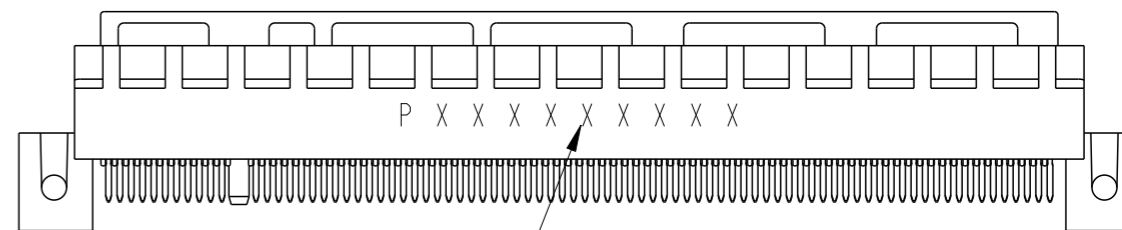
PCB THICKNESS OPTION  
0:1.57 MM  
1:2.0/2.08 MM  
2:2.31/2.36/2.4 MM

LEAD FREE OPTION  
LF:LEAD FREE

RESERVE  
0

CAP OPTION (SEE NOTE 6)  
0:WITHOUT CAP  
1:CAP

CONTACT PLATING  
0:15 u" Au  
1:30 u" Au  
2:15 u" GXT



DATA CODE INFORMATION

P X X X X X X X X X

PRODUCTION LINE CODE  
DATE CODE THROUGH 01 TO 31  
WEEK NUMBER 01 THROUGH 53  
YEAR CODE; MOST RIGHT OF DIGIT  
OF PRODUCTION. (e.g 2007=7)  
MANUFACTURE SITE; 2 FOR DONGGUAN  
SOURCE, P FOR CHINA

Amphenol  
FCi

© 2016 AFCI

spec ref		dr	Jeny Ren	2017/11/01	projection	MM	size	A3	scale	2:1	
tolerance std ASME Y14.5		TOLERANCES UNLESS OTHERWISE SPECIFIED					ecn no		ELX-DG-30127-1		
		eng	Jeny Ren	2018/05/15			rel level		Released		
surface		chr	-	-	product family			PCI EXPRESS 4.0		rev	B
ASME Y14.5		appr	Nickor Zuo	2018/05/22	www.fci.com			10146027		sheet 4 of 4	
linear		angular		cat. no.		Product-Customer Drw		status			
0.X ±0.30		0° ±2°		3		PDS: Rev :B		STATUS:Released		Printed: May 23, 2018	
0.XX ±0.20											
0.XXX ±0.1											