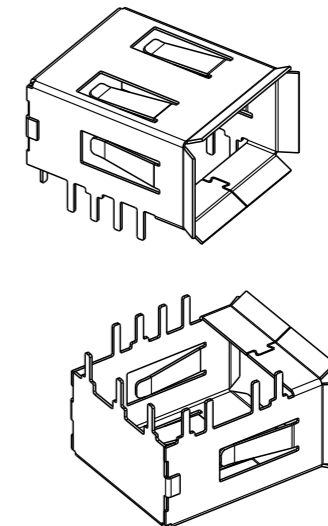
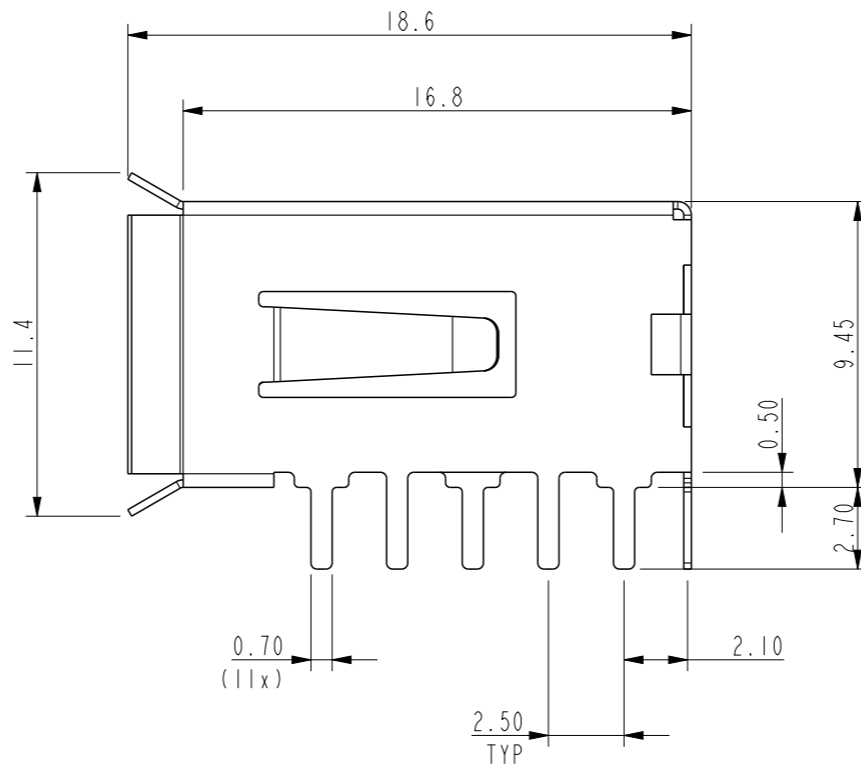
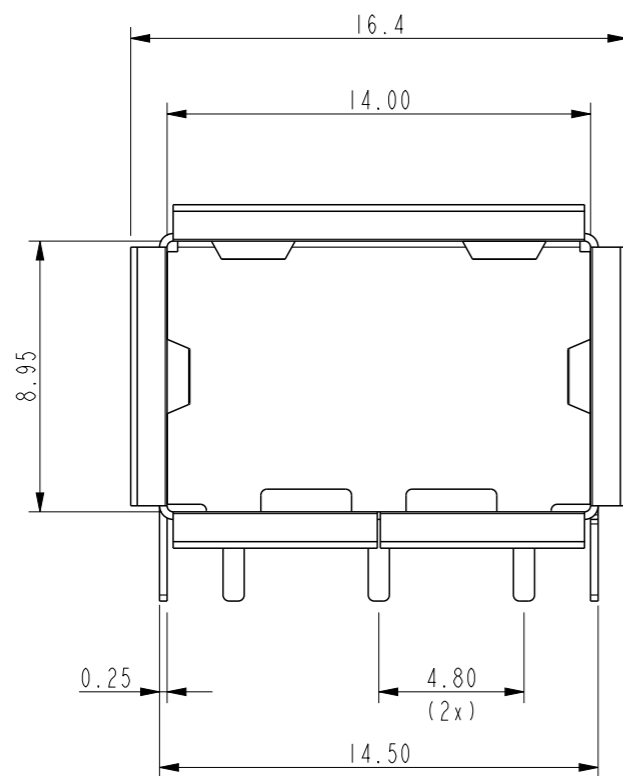
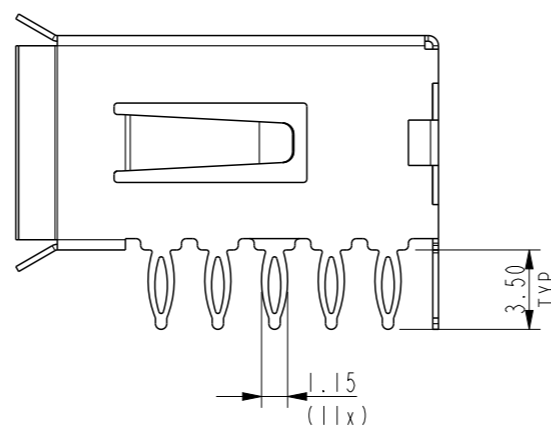
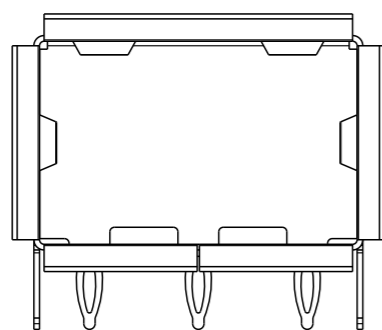


PRODUCT NUMBER	TAIL TYPE	PLATING
10133694-101LF	PIP	SEE NOTES

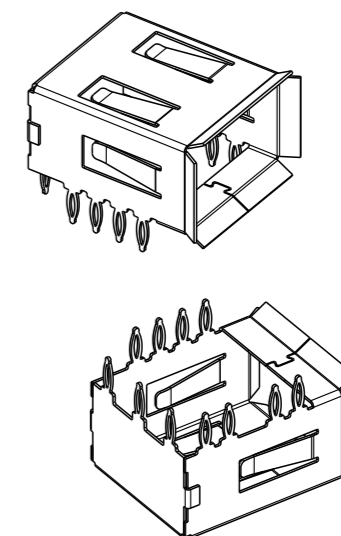


- NOTES:
1. MATERIAL: COPPER ALLOY, THICKNESS=0.25MM
  2. OPERATING TEMPERATURE RANGE : -40/+105°C
  3. FINISH: Sn UPON Ni
  4. PACKING- TRAY

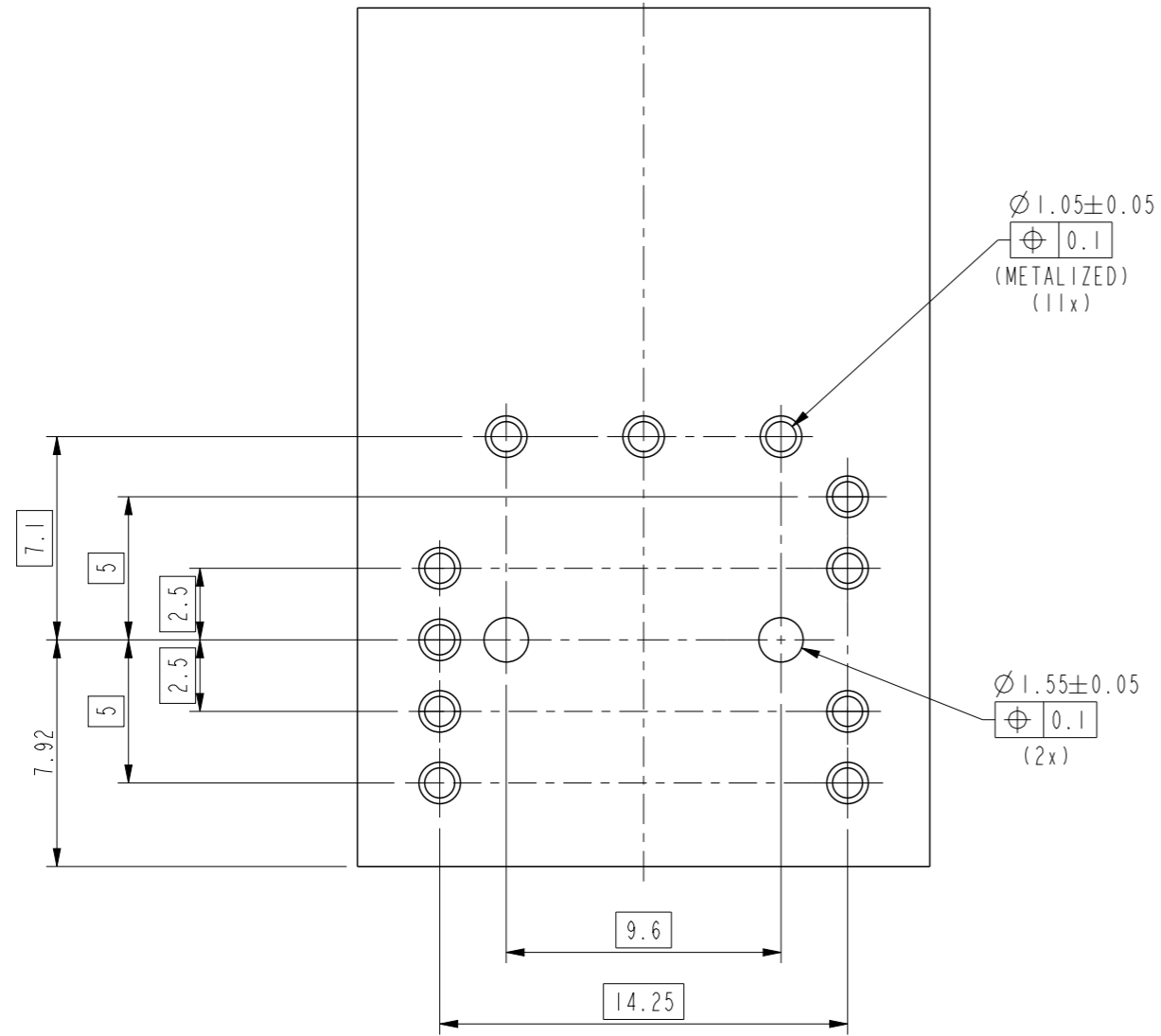
PRODUCT NUMBER	TAIL TYPE	PLATING
10133694-102LF	PRESSFIT	SEE NOTES



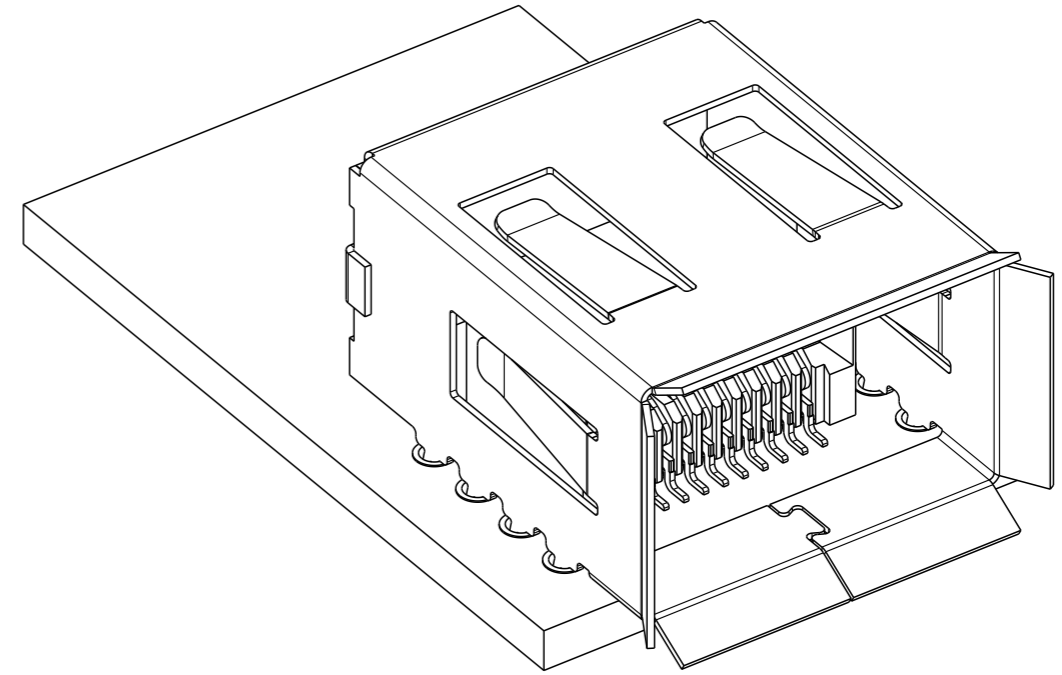
OTHER DIMENSIONS ARE SAME AS THAT OF 10133694-101LF



spec ref	dr	Jibin John	2016/11/10	projection	MM	size	A3	scale	3:1
tolerance std	eng	Alosius, Stali	2018/11/07			ecn no	ELX-I-31808-1	rel level	Released
ISO 406 ISO 1101	chr	-	-						
surface	appr	K-Paul Bijju	2018/11/07	title		dwg no		rev	
ISO 1302	linear	0.X	±0.3	Amphenol FCI		SFP SHIELDING CAGE		10133694	
		0.XX	±0.13						
	angular	0°	±2°	cat. no.		Product - Customer Drw		sheet 1 of 3	



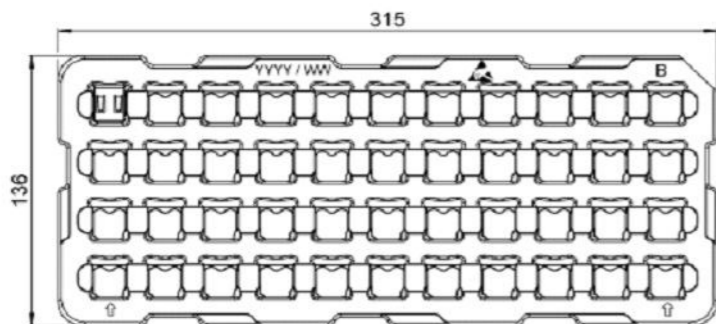
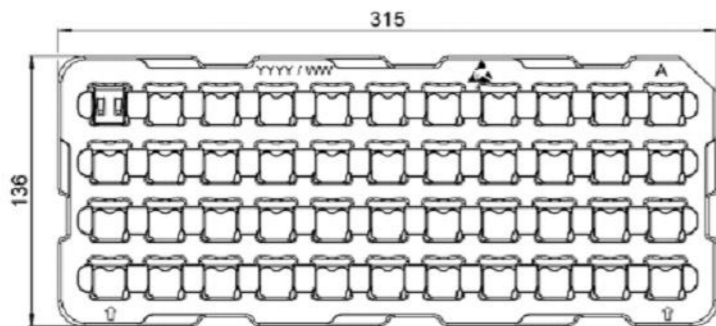
RECOMMENDED PCB LAYOUT  
(THICKNESS=1.60)



CAGE AND CONNECTOR MOUNTED ON THE PCB

spec ref		dr	Jibin John	2016/11/10	projection	MM	size	A3	scale	1:1	
tolerance std		eng	Aloisius, Stali	2018/11/07			ecn no		ELX-I-31808-1		
ISO 406 ISO 1101		chr	-	-			rel level		Released		
TOLERANCES UNLESS OTHERWISE SPECIFIED		appr	K-Paul Biju	2018/11/07	product family		OCTIS				
surface	linear	0.X	±0.3		<b>Amphenol FCi</b>		title SFP SHIELDING CAGE		dwg no 10133694		rev <b>G</b>
		0.XX	±0.13								
		0.XXX	±0.05		cat. no.		-		Product - Customer Drw		
ISO 1302	angular	0°	±2°						sheet 2 of 3		

**PACKAGING  
PACKAGING IN HOT FORMED TRAY**



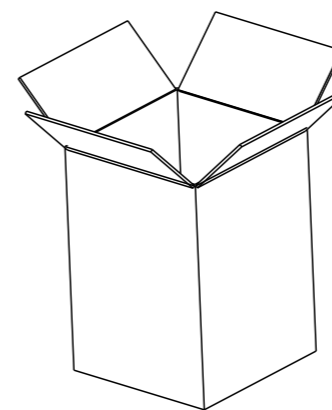
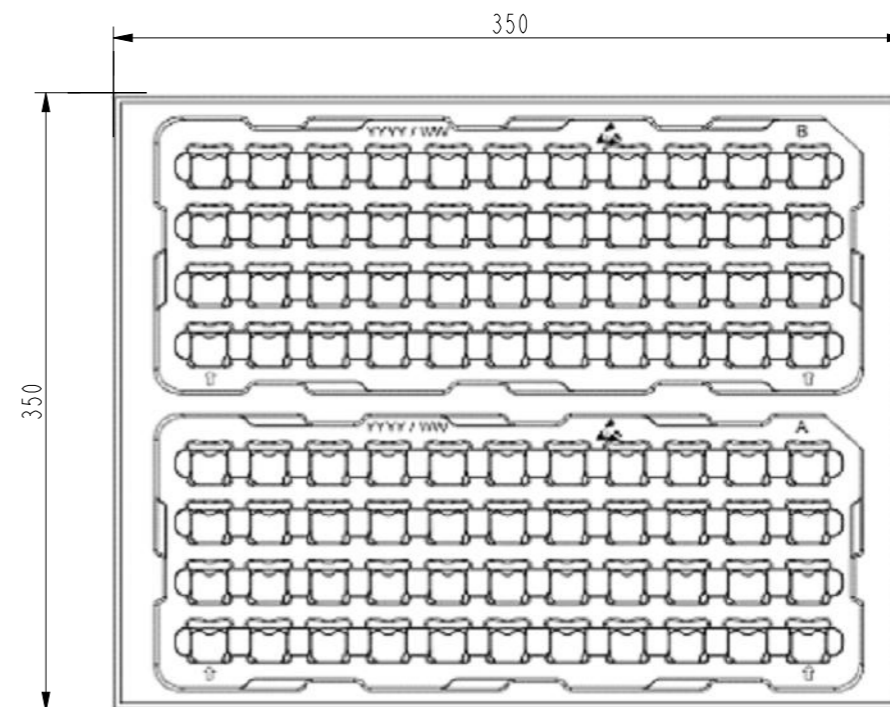
TRAY INFORMATION:  
 44 PCS BY TRAY  
 COLOR: TRAY A IN BLACK AND TRAY B IN TRANSLUCENT  
 YYYY: MANUFACTURING YEAR  
 WW: MANUFACTURING WEEK



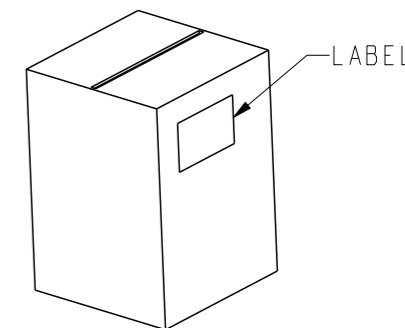
ESD SYMBOL

NOTE: HANDLING ONLY WITH GLOVES

**PACKAGING:  
PACKAGING IN THE BOX**



SHIPPABLE CARTON  
(DIMENSION: 350x350x350)



SEALED CARTON

PACKAGING INFORMATION:  
 1584 PCS BY BOX  
 X PITCH = 26.6 MM  
 Y PITCH = 26.6 MM  
 Z DIMENSION = 18 MM  
 TRAY A AND TRAY B STOCKED ALTERNATIVELY  
 HOT FORMED TRAYS FITTED IN A ESD BAG AND IN CARD BOARD BOX

spec ref		dr	Jibin John	2016/11/10	projection 	MM ←→	size	A3	scale	1:1
tolerance std		eng	Aloisius, Stali	2018/11/07			ecn no	ELX-I-31808-1		
ISO 406 ISO 1101		chr	-	-			rel level	Released		
TOLERANCES UNLESS OTHERWISE SPECIFIED		appr	K-Paul Bijju	2018/11/07			product family	OCTIS		
surface	linear	0.X	±0.3	Amphenol FCi	title	SFP SHIELDING CAGE	dwg no	10133694	rev	G
		0.XX	±0.13							
		0.XXX	±0.05							
ISO 1302	angular	0°	±2°	cat. no.	-	Product - Customer Drw	sheet 3 of 3			