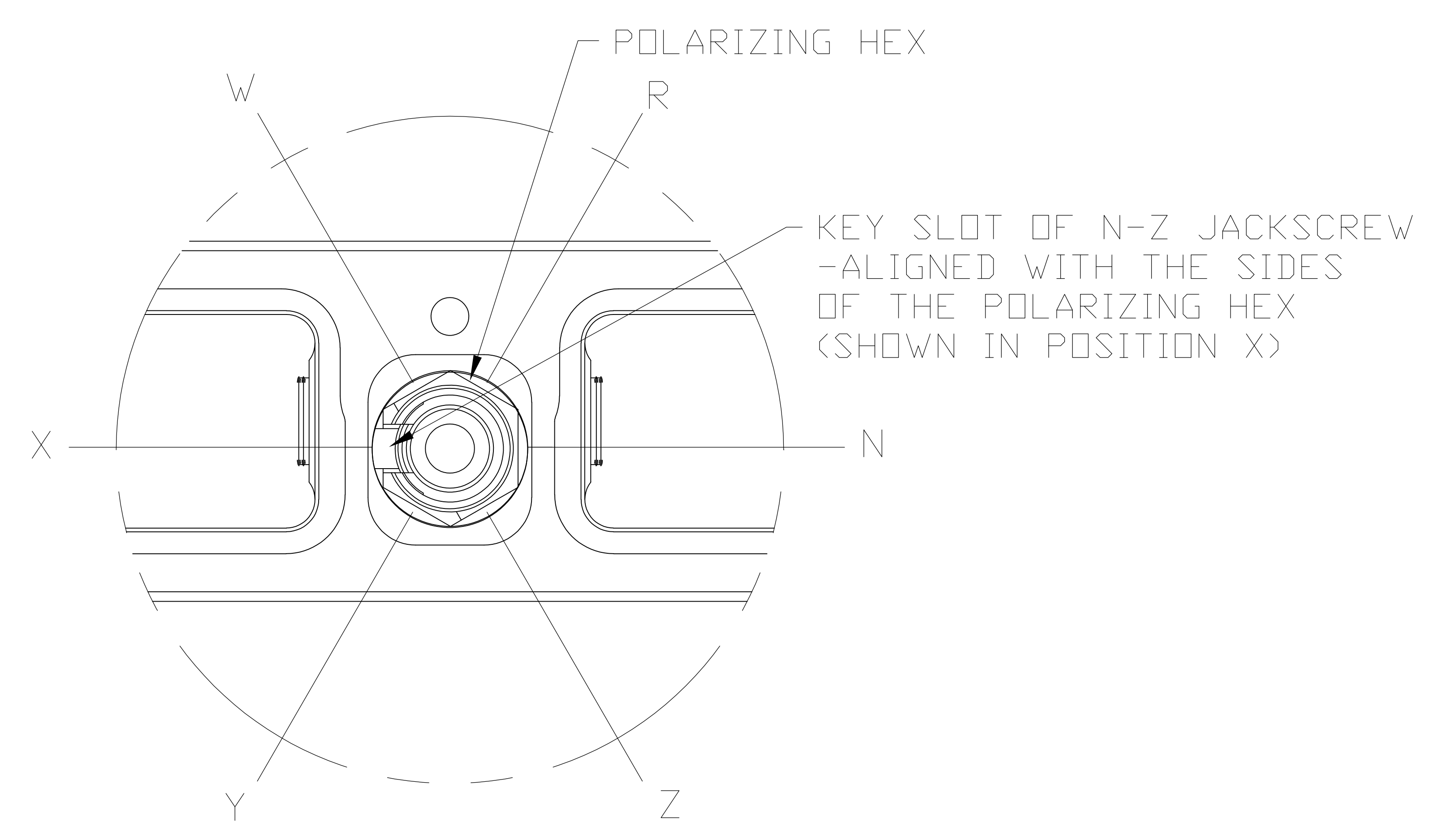
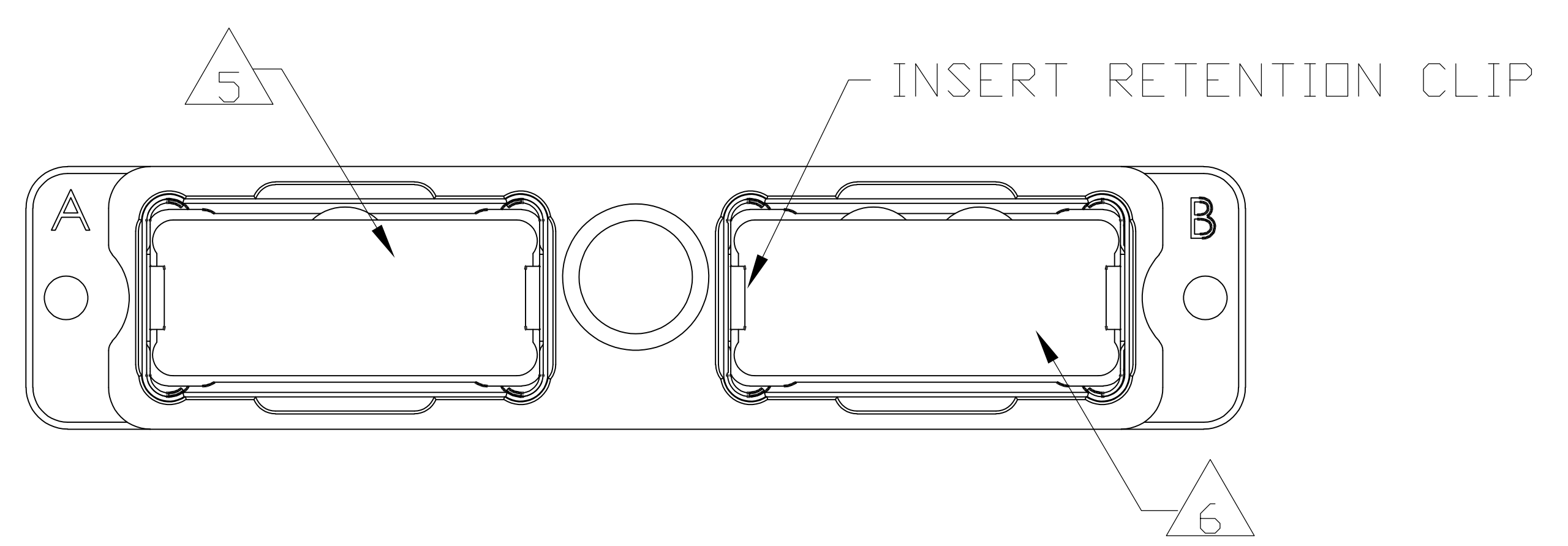
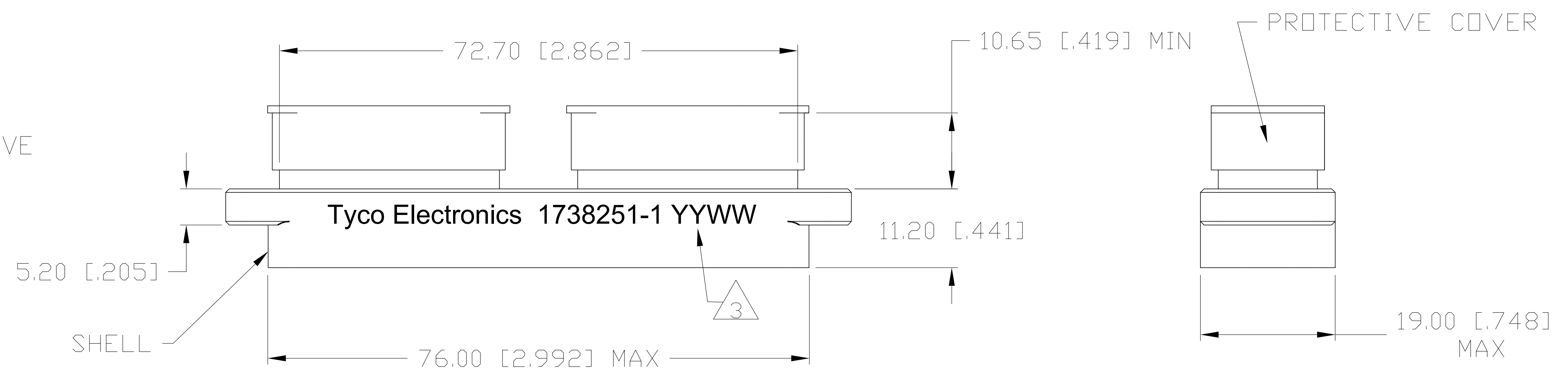
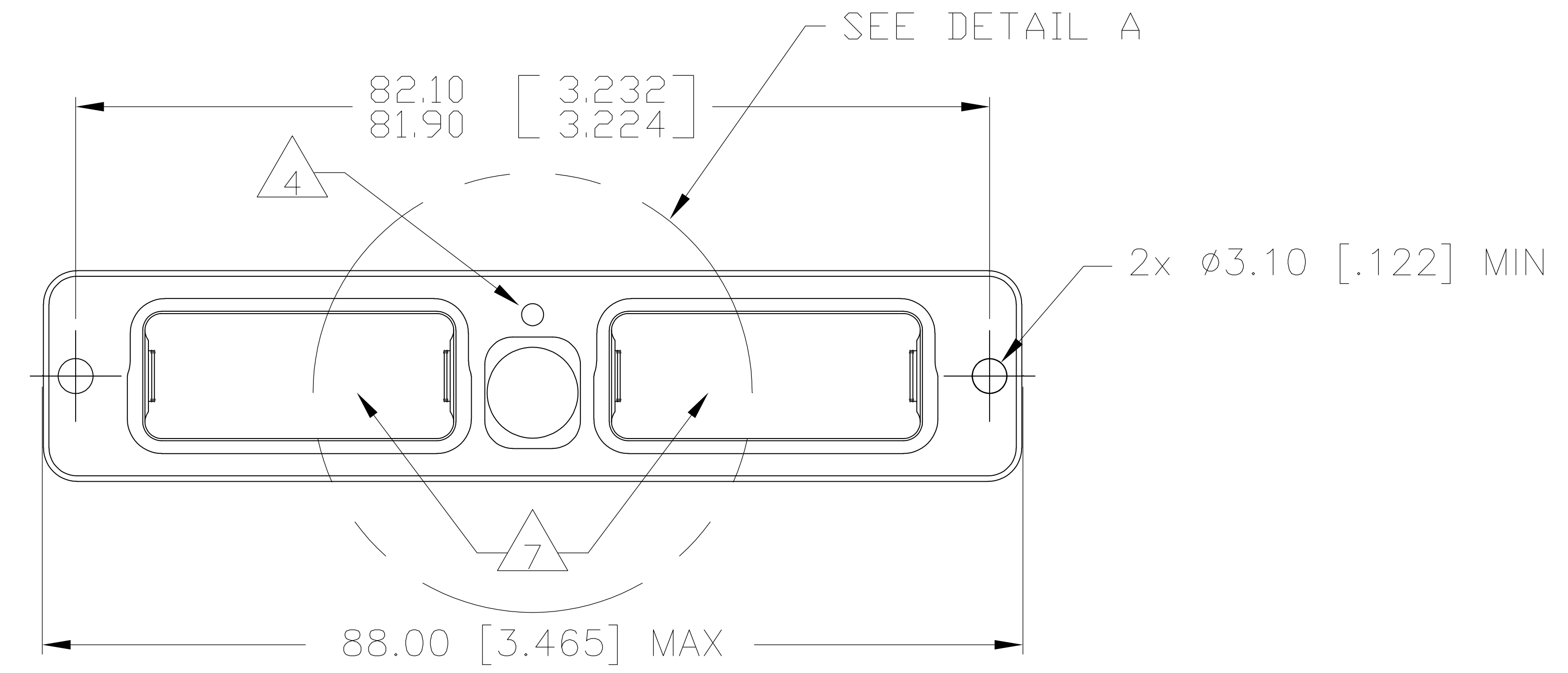


REVISIONS				
REV	DATE	DESCRIPTION	BY	APP'D
1	08/04	CONVERTED RADIALL DWG TO TYCO ACAD DWG	RF	JM
2	03APR10	REVISED	RF	JM

- 1 SHELL: ALUMINUM ALLOY 6061 T651  
 INSERT RETENTION CLIP & JACKSCREW SLEEVE: COPPER ALLOY PER ASTM B194  
 JACKSCREW KEY, CENTER LOCK, & RETAINING NUT: STAINLESS STEEL PER AISI 316  
 PROTECTIVE COVER: THERMOPLASTIC ELASTOMER
- 2 SHELL: ELECTROLESS NICKEL PER SAE AMS-C-26074, CLASS 1.
- 3 DATE CODE - YEAR & WEEK (YY WW)
- 4 INDEXING POINT FOR POLARIZATION.
- 5 SHELL CAVITY FOR GPRB SERIES INSERTS WITH KEYING CODE A.
- 6 SHELL CAVITY FOR GPRB SERIES INSERTS WITH KEYING CODE B.
- 7 PROTECTIVE COVERS NOT SHOWN FOR CLARITY.
- 8 SCREW HEAD DIAMETER: 6.00 [.236] MAX.
- 9 THE JACKSCREW AND RETAINING NUT ARE SHIPPED UNASSEMBLED.  
 THE CUSTOMER SHALL APPLY LOCTITE® PRODUCT 272 THREADLOCKING ADHESIVE  
 WHEN INSTALLING THESE ON THE SHELL ASSEMBLY. LOCTITE® IS A  
 REGISTERED TRADEMARK OF LOCTITE CORPORATION.
- 10 A SPANNER WRENCH TOOL, TYCO ELECTRONICS P/N 1738220-1  
 (WITH 1/4-in ADAPTER) OR 1738221-1 (WITH T-HANDLE), IS USED  
 TO LOCK THE RETAINING NUT.  
 RECOMMENDED LOCKING TORQUE: 1.5 N-m [13 in-lb].
- 11. PITCH FOR SIDE-BY-SIDE MOUNTING: 19.50 [.768] MIN.
- 12. DESCRIPTIVE PART NUMBER: GPRB2PD13N  
 SERIES: GPRB  
 SHELL SIZE: 2 (TWO-CAVITY SHELL)  
 SHELL STYLE: P (PLUG)  
 MODIFICATION CODE: D (2x ø3.10mm THRU HOLES - FOR PANEL MOUNTING)  
 LOCKING AND POLARIZING DEVICE: 1 (JACKSCREW)  
 POLARIZATION CODE: 3 (N-Z JACKSCREW HARDWARE SHIPPED UNASSEMBLED)  
 SHELL PLATING: N (NICKEL PLATING)
- 13. THIS PRODUCT IS SOLD BY TYCO ELECTRONICS UNDER A LICENSE FROM RADIALL SA.

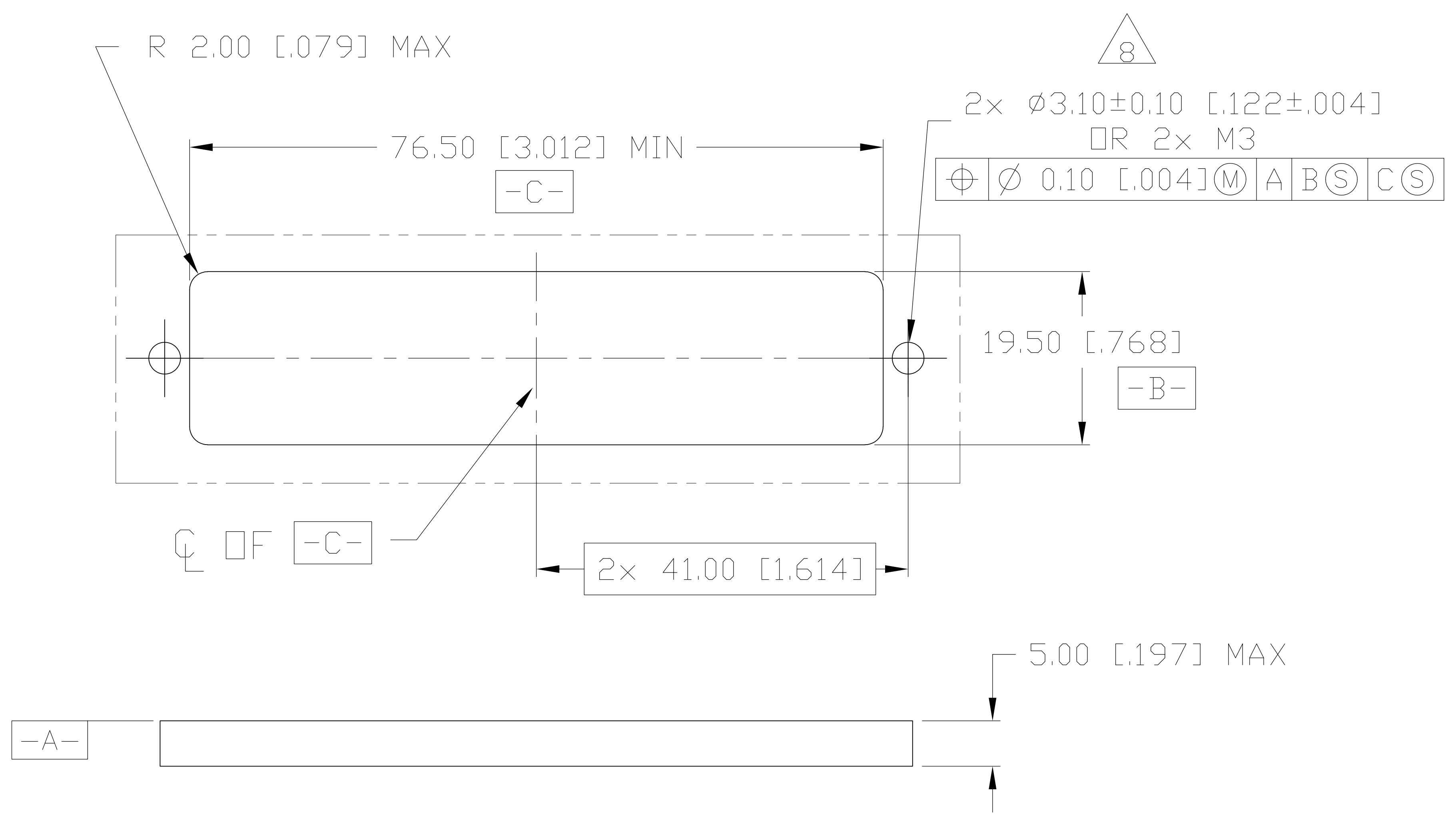


DETAIL A - JACKSCREW KIT ASSEMBLED

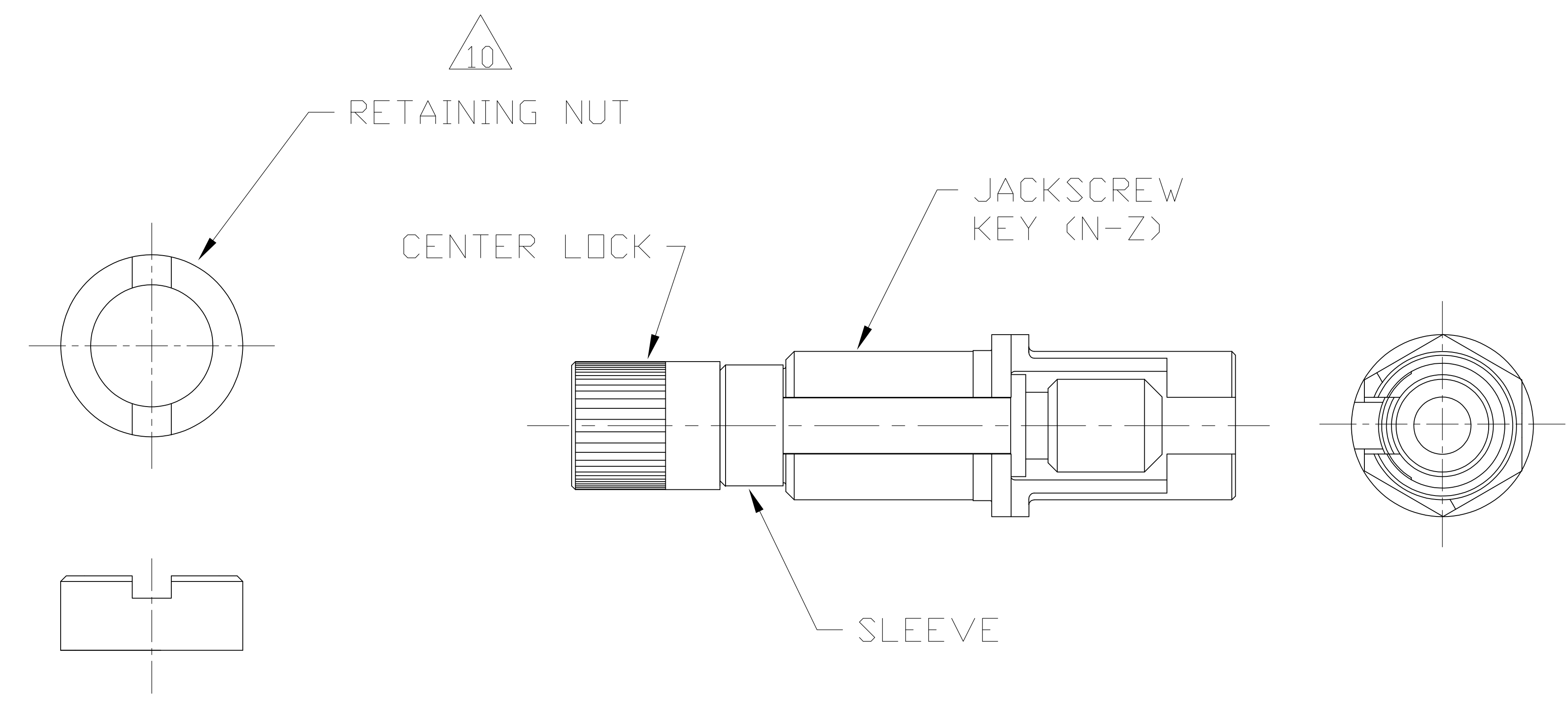
THIS PRINT IS  
**PRELIMINARY**  
 UNQUALIFIED PRODUCT  
 CONTACT PRODUCT ENGINEERING  
 BEFORE USING THIS PRINT

1738251-1  
 PART NUMBER

THIS DRAWING IS A CONTROLLED DOCUMENT.		REV	DATE	BY	APP'D
DIMENSIONS: mm (INCHES)		0			
TOLERANCES UNLESS OTHERWISE SPECIFIED:		1			
Ø	FRACTIONAL	2			
DECIMAL	± .008	3			
ANGLES	± .008	4			
FINISH	AS SHOWN	5			
MATERIAL: ALUMINUM ALLOY 6061 T651		6			
FINISH: ELECTROLESS NICKEL PER SAE AMS-C-26074, CLASS 1		7			
CUSTOMER DRAWING		8			
SCALE: 1:1		SHEET: 1 OF 2		REV: 2	



RECOMMENDED PANEL CUTOUT



THIS PRINT IS  
**PRELIMINARY**  
 UNQUALIFIED PRODUCT  
 CONTACT PRODUCT ENGINEERING  
 BEFORE USING THIS PRINT

1738251-1  
 PART NUMBER

THIS DRAWING IS A CONTROLLED DOCUMENT.		DATE	BY	APPROVED	Tyco Electronics Corporation Harrisburg, Pa 17105-3608
DIMENSIONS: mm [INCHES]		01/18/2000	J. MOSIER	J. MOSIER	
TOLERANCES UNLESS OTHERWISE SPECIFIED:		FRACTIONAL DECIMALS		UNLESS OTHERWISE SPECIFIED:	
Ø, R, R.C.	±	+	-	PRODUCT SPEC	PLUG SHELL KIT, WITH TWO 3.10mm DIA MOUNTING HOLES, WITH N-Z JACKSCREW, GPRB2
F, R.C.	±	+	-	APPLICATION SPEC	
H, R.C.	±	+	-	APPLICATION SPEC	
M, R.C.	±	+	-	APPLICATION SPEC	
MATERIAL	FINISH	WEIGHT	SCALE	SIZE	CUSTOMER DRAWING SCALE: 1:1 SHEET: 2 OF 2 REV: 2