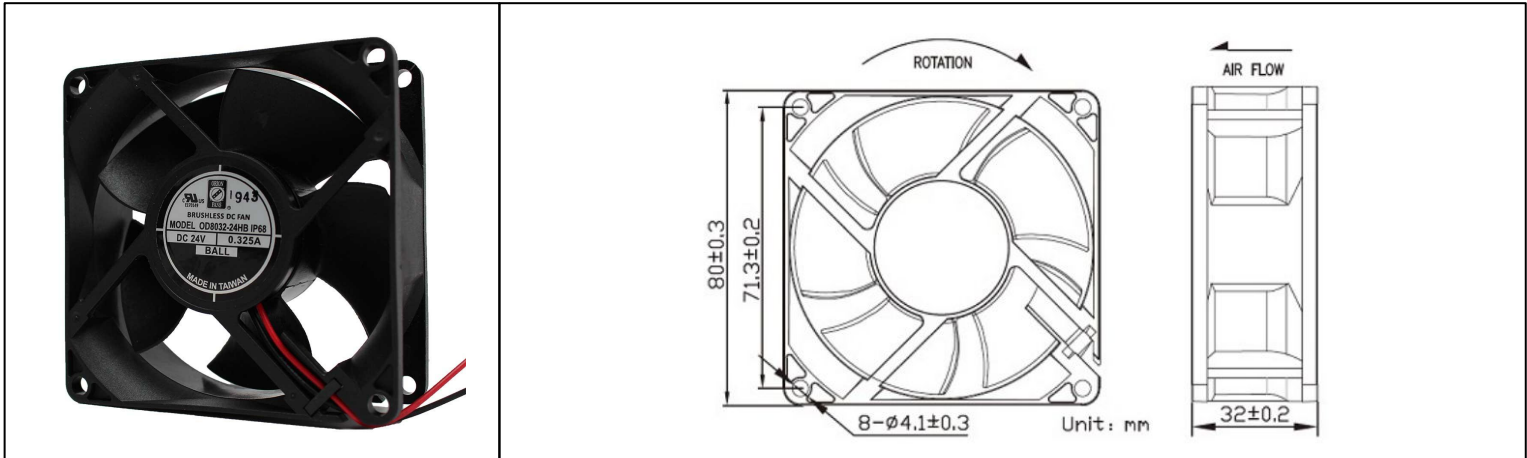


OD8032-IP68 Series



DC Fan, 12, 24, 48V
80x32mm (3.15"x1.25")



Frame	PBT, UL94 V-0 plastic	Operating Temperature -10°C ~ +70°C Storage Temperature -40°C ~ +75°C Life Expectancy 70,000 hours (L10 at 40°C) Available Options Tachometer Alarm PWM Weight: 0.26 lbs m0	
Impeller	PBT, UL94 V-0 plastic		
Connection	2x Lead wires 24 AWG		
Motor	Brushless DC, Auto Restart, Polarity Protected, Electronically Protected, IP68		
Bearing System	Dual Ball Bearings		
Dielectric Strength	500VAC/min		
Insulation Resistance	10M ohm between leadwires and frame (500 VDC)		

Part Number	Rated Voltage	Input Power	Rated Current	Rated Speed (RPM)	Airflow (CFM)	Noise Level (dB)	Max. Static Pressure
OD8032-12HHBIP68	12 VDC	8.4 W	0.7 A	6400	83	53	0.79"H ₂ O
OD8032-12HBIP68	12 VDC	7.8 W	0.65 A	6000	77	50	0.73"H ₂ O
OD8032-12MBIP68	12 VDC	6.0 W	0.5 A	5500	71	48	0.61"H ₂ O
OD8032-12LBIP68	12 VDC	4.8 W	0.4 A	4800	62	45	0.45"H ₂ O
OD8032-24HBIP68	24 VDC	7.8 W	0.33 A	6000	77	50	0.73"H ₂ O
OD8032-48HBIP68	48 VDC	7.8 W	0.16 A	6000	77	50	0.73"H ₂ O