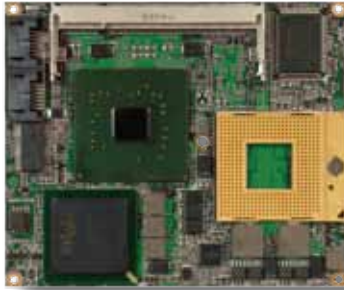


EmETX-i945M

ETX

Intel® Core™ 2 Duo ETX CPU Module



Features

- **Fanless Design**
- ETX 3.0 w/ SATA Connectors
- Support Intel® Socket M Mobile Processors
- Dual Channels 24-bit LVDS, and Analog RGB
- **Extended Operating Temp.: -20 ~ 70°C**

System

| | |
|-----------------------|--|
| Processor | Intel® Core™ 2 Duo/Core™ Duo/Celeron® M CPU with FSB up to 667MHz |
| Memory | 1 x 200-pin DDR2 SO-DIMM socket, supporting 400/533/667MHz SDRAM up to 2GB |
| Chipset | Intel® 945GME + ICH7M |
| BIOS | Phoenix-Award PnP Flash BIOS |
| Watchdog Timer | 1~255 levels reset |

I/O

| | |
|-------------------------|--|
| I/O Chip | Winbond W83627HG |
| Serial Port | 2 x COM ports |
| Parallel Port | SPP/EPP/ECP mode selectable |
| USB Port | 4 x USB 2.0 ports |
| KB/MS | PS/2 interface for keyboard and mouse |
| Expansion Bus | PCI (4 x PCI masters) and ISA bus |
| Storage | 1 x Ultra ATA ports, supporting 2 IDE devices 2 x Serial ATA ports with 150MB/s HDD transfer rate |
| Ethernet Chipset | 1 x Realtek RTL8103EL PCIe 10/100Base-T Ethernet controller |
| Audio Interface | Realtek ALC655 6 Channel AC97 Audio Codec, Mic-in/ Line-in/ Line-out |

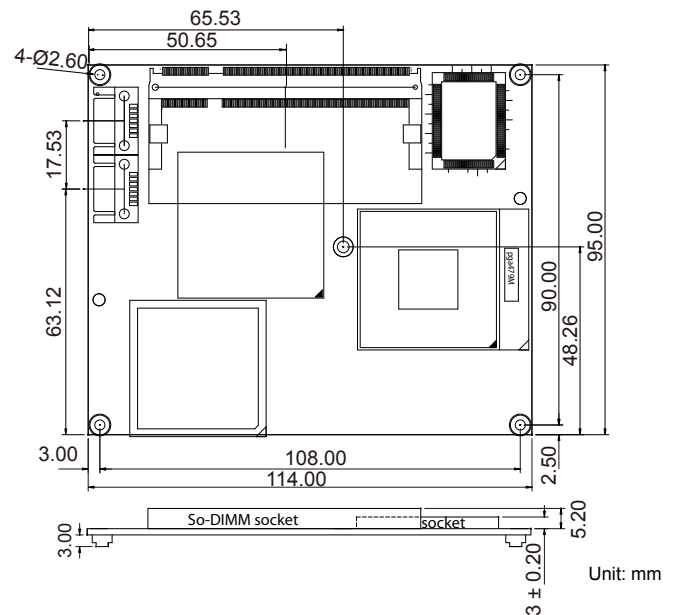
Display

| | |
|---------------------------|--|
| Graphics Chipset | Integrated Intel® Graphics Media Accelerator 950 Analog RGB supports resolution up to 2048 x 1536 @60Hz |
| Graphics Interface | LCD: Dual Channels 24-bit LVDS Support Dual Independent Displays TV-out supports NTSC/PAL |

Mechanical & Environmental

| | |
|---------------------------|---|
| Power Requirement | +5V, 5VSB |
| Power Consumption | 7.14A@+5V with Intel® Core™ Duo T2400 1.83GHz (Typical) |
| Operating Temp. | -20 ~ 70°C (-4 ~ 158°F) |
| Operating Humidity | 10 ~ 95% @ 70°C (non-condensing) |
| Dimension (L x W) | 114 x 95 mm (4.5" x 3.7") |

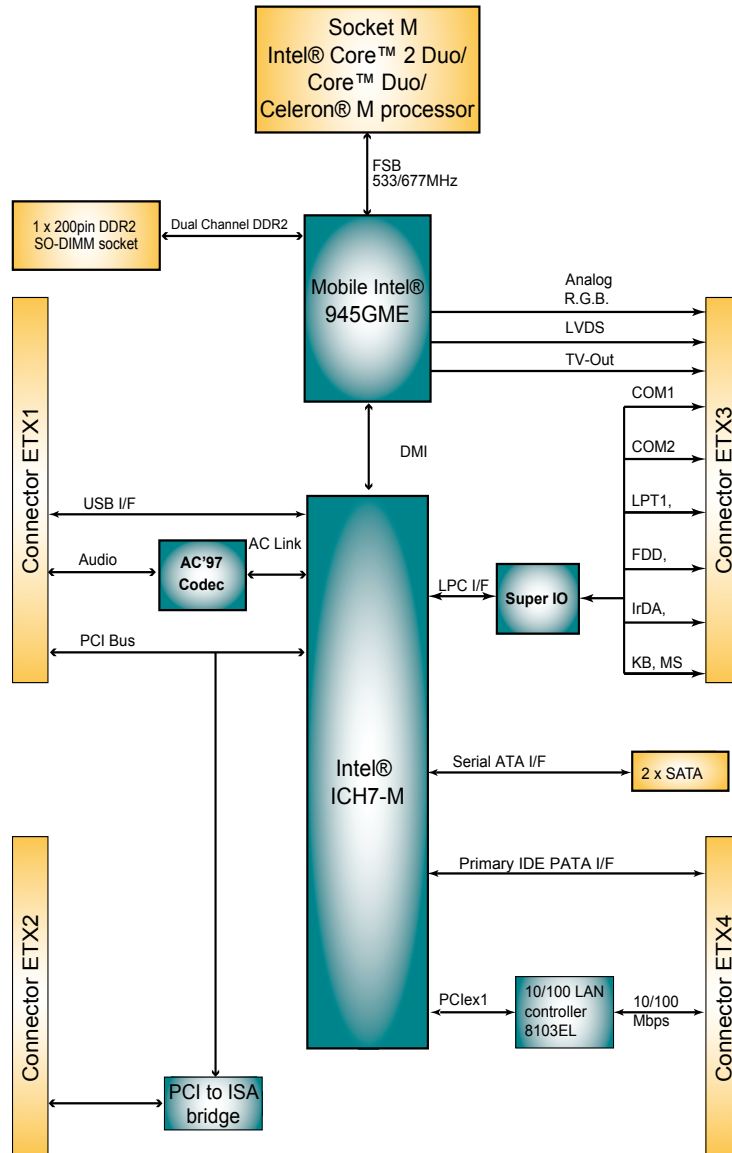
Dimensions



Recommended CPU List:

| | |
|-------------------------------------|----------------------------------|
| T7400 2.16GHz Core™ 2 Duo Processor | 530 1.73GHz Celeron® Processor |
| T2500 2.0GHz Core™ 2 Duo Processor | 440 1.86GHz Celeron® M Processor |

Block Diagram



Ordering Information

EmETX-i945M Socket M Intel® Core™ 2 Duo/Core™ Duo/Celeron® M ETX CPU module

Optional Accessories

HS-0945-C1 Heatsink with fan for PGA CPU type (114 x 95.2 x 22.7 mm)

HS-9102-C1 Heatsink with fan for BGA CPU type (114 x 95 x 32 mm)

PBE-1000 R2.1 ETX® evaluation board in ATX form factor

Page 66

CBK-05-1000-00 Cable kit for PBE-1000 R2.1

- 1 x FDD cable
- 3 x COM port cables
- 1 x USB cable
- 2 x IDE cables
- 1 x TV-out cable