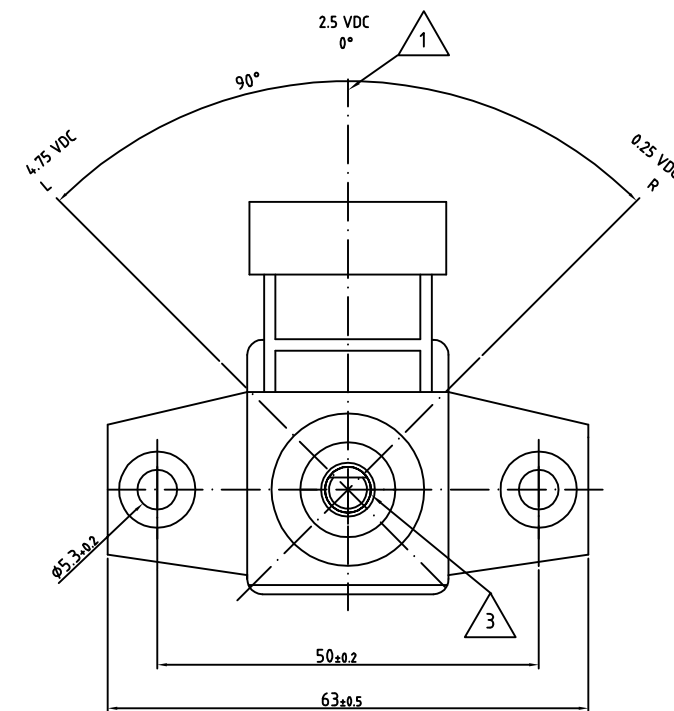
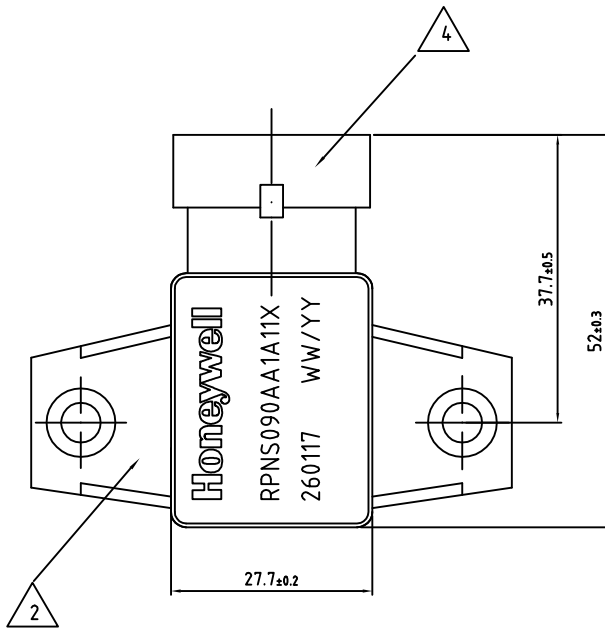


HONEYWELL  
PART NUMBER  
RPNS090AA1A11X

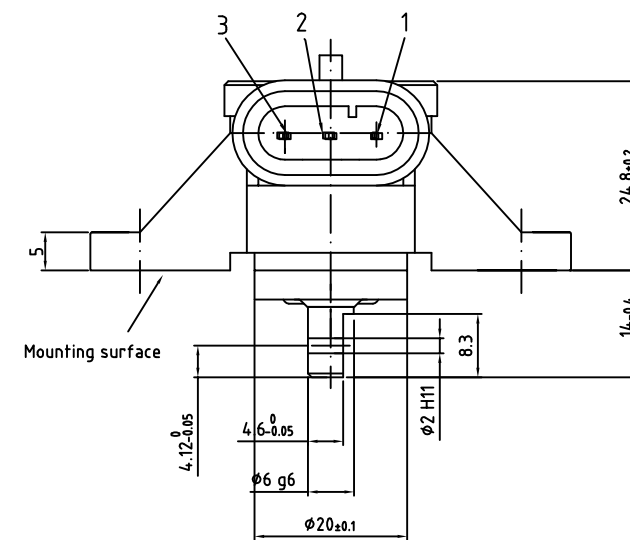
REV	CHANGE DOCUMENT	CHANGED BY	CHECK
A	0040247	VS 23JUN08	BLR

Technical Data	
<b>Function</b>	Angular Sensor
Sensor principle	Contact-free, Hall effect
<b>Measuring range</b>	90°
Mechanical end stop	None
Supply voltage	10 – 30 VDC
Current consumption max.	20 mA
<b>Output signal</b>	
Angle /°	Output signal
L (45°)	4.75 VDC
0°	2.5 VDC
R (45°)	0.25 VDC
Delay of the output signal	approx. 3 ms
Reverse polarity protection	Yes
Output	24h short-circuit proof
EMC	200V/m acc. to ISO 11452-3
<b>Ambient conditions</b>	
Operating temperature:	- 40°C bis + 85°C
Temperature range (storage)	- 40°C bis + 125°C
protection class	IP67 acc. to DIN 40050
Tightening torque of the mounting screw max.	2,5 Nm ± 0,5 Nm
Accuracy	±1,6% / 2mV/°
Hysteresis	None
Linearity	±2°
Cycles of rotation	30 x 10 <sup>9</sup> cycles



- 1 Zero point
- 2 Housing Material PA66
- 3 Shaft Material Stainless Steel
- 4 Tab Connector acc. to AMP Superseal 1.5 Series 282105 Shall mate with Receptacle Connector 282087-1

φ6	q6	-0.004	5.996
		-0.012	5.988
φ2	H11	+0.06	2.06
		0	2
Dimension	Tolerance		



Pin configuration	
1	GND
2	Ub 10-30 VDC
3	4.75-0.25 VDC

DESIGN UNITS: MM  
TOLERANCES UNLESS NOTED:  
GEOMETRICAL TOLERANCE ACCORDING TO DIN ISO 1101  
GENERAL TOLERANCES ACCORDING TO DIN 16901-130B

THIRD ANGLE PROJECTION



DRAWN	JA	19 JUN 08
CHECK	JLH	19 JUN 08

THIS DRAWING COVERS A PROPRIETARY ITEM AND IS THE PROPERTY OF HONEYWELL. THIS DRAWING IS NOT TO BE COPIED OR USED WITHOUT THE PERMISSION OF HONEYWELL.

INTERPRET PER ASME Y14.5M-1994 OTHER HONEYWELL ENGINEERING STANDARDS MAY APPLY

AutoCad 2D SCALE -

**Honeywell**  
TITLE: ANGULAR SENSOR ±45°

SIZE	A3	TYPE	I	DRAWING NAME	RPNS090AA1A11X	REV	A
------	----	------	---	--------------	----------------	-----	---

SHEET 1 OF 1