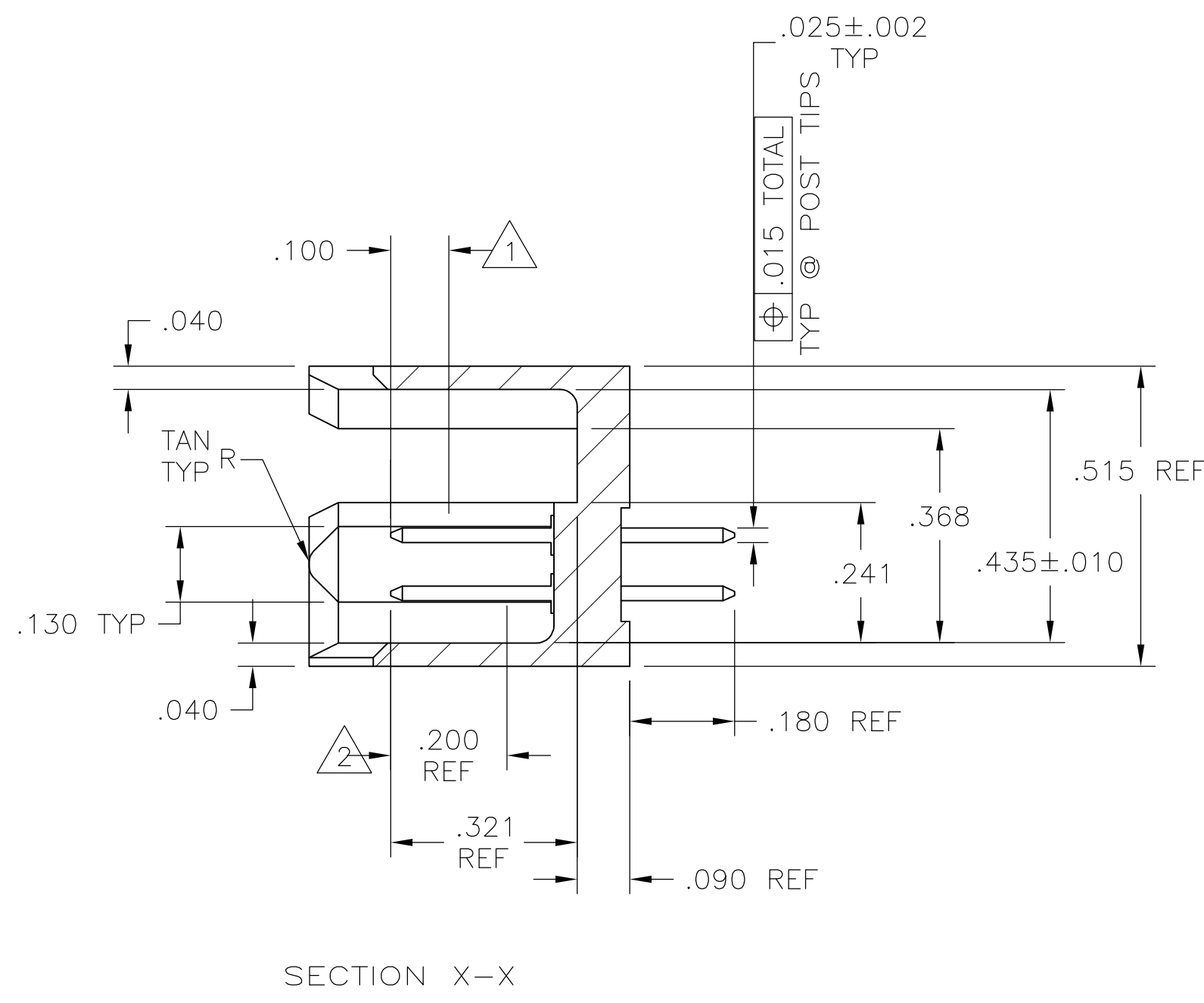
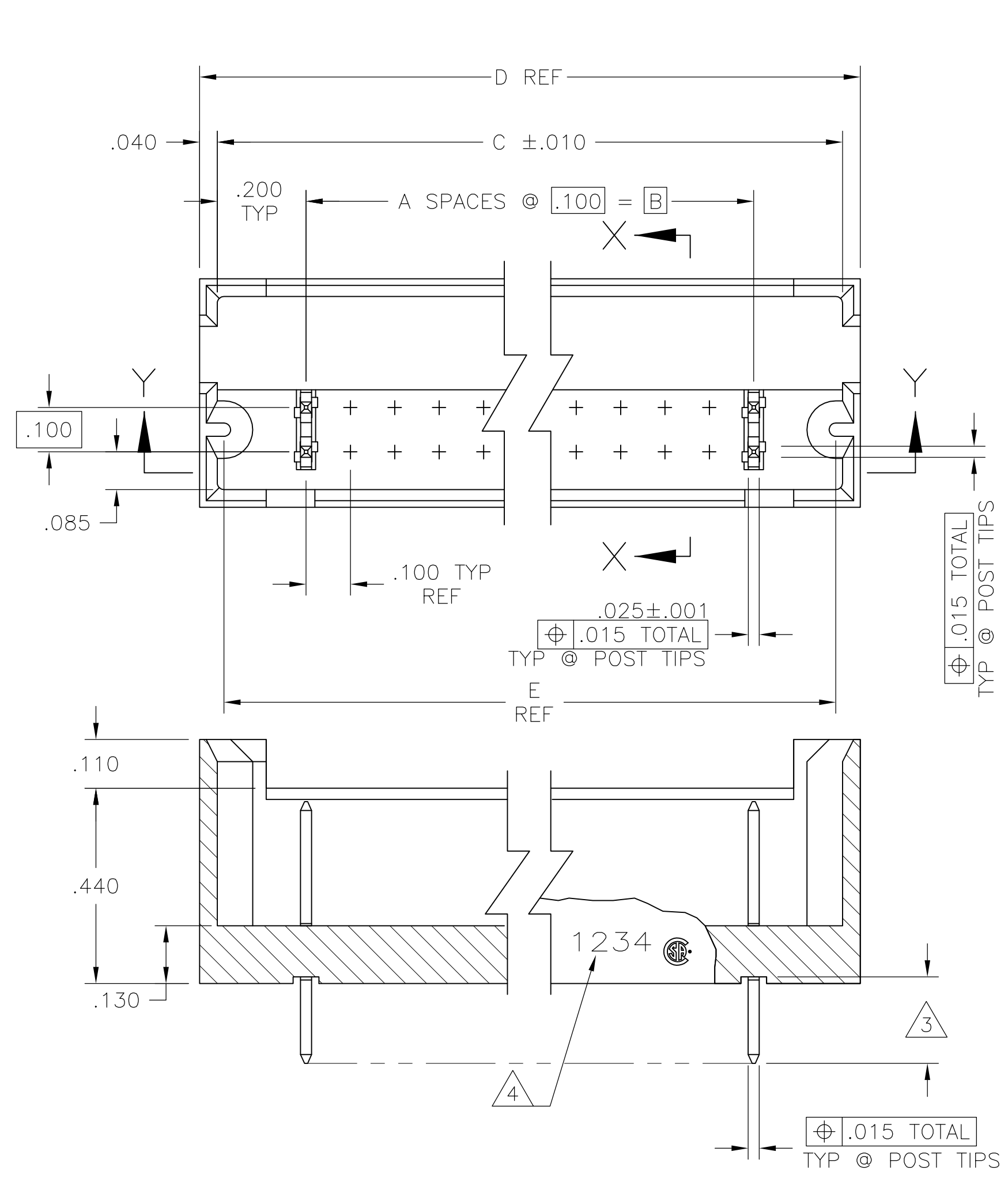
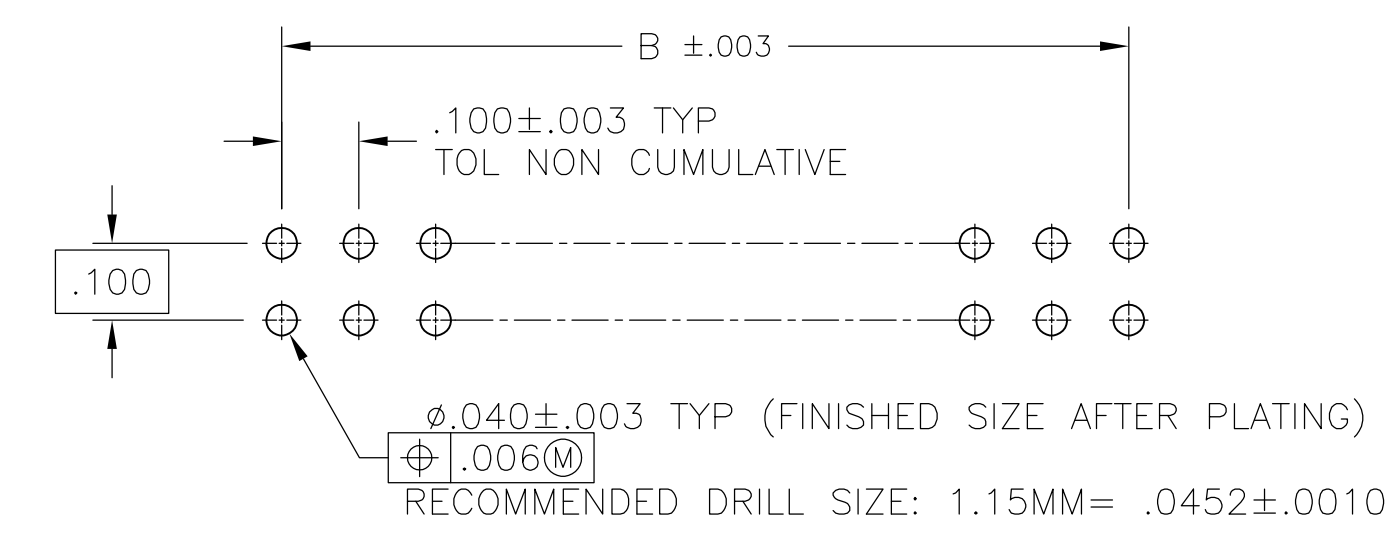


LOC		DIST		REVISIONS			
F	LTR	PER	ECO	DATE	DN	APVD	
LS	REVISED	PER	ECO-13-015097	25SEP2013	KH	JO	



- 1 POINT OF MEASUREMENT FOR PLATING THICKNESS.
- 2 FINISH OVER INDICATED AREA: .000030 GOLD OVER .000050 NICKEL.
- 3 FINISH OVER INDICATED AREA: .000100-.000200 BRIGHT TIN LEAD OVER .000050 NICKEL.
- 4 RECESSED DATE CODE AND LOGO.
- 5 OBSOLETE PART NUMBER.
- 6 PRELIMINARY PART - NOT RELEASED FOR PRODUCTION
- 7 FINISH OVER INDICATED AREA: .000100-.000200 MATTE TIN OVER .000050 NICKEL.
- 8 ROHS 2002/95/EC COMPLIANT
- 9 OBSOLETE PARTS: OBSOLETE CIS STREAMLINING PER D.RENAUD/D.SINISI



NO. OF POSN	A	B	C ±.010	D	E	NO. OF POSN	PART NUMBER
12	26	12	26	1.570	1.680	1.600	7-102692-9
79	160	79	160	8.270	8.380	8.300	7-102692-8
46	94	46	94	4.970	5.080	5.000	7-102692-7
21	44	21	44	2.470	2.580	2.500	7-102692-6
6	14	6	14	.970	1.080	1.000	7-102692-5
89	180	89	180	9.270	9.380	9.300	7-102692-4
73	148	73	148	7.670	7.780	7.700	7-102692-3
63	128	63	128	6.670	6.780	6.700	7-102692-2
69	140	69	140	7.270	7.380	7.300	7-102692-1
64	130	64	130	6.770	6.880	6.800	7-102692-0
42	86	42	86	4.570	4.680	4.600	6-102692-9
35	72	35	72	3.870	3.980	3.900	6-102692-8
14	30	14	30	1.770	1.880	1.800	6-102692-7
9	20	9	20	1.270	1.380	1.300	6-102692-6
16	16	16	16	1.070	1.180	1.100	6-102692-5
34	70	34	70	3.770	3.880	3.800	6-102692-4
19	40	19	40	2.270	2.380	2.300	6-102692-3
49	90	49	90	4.770	4.880	4.800	6-102692-2
99	200	99	200	10.270	10.380	10.300	6-102692-1
54	110	54	110	5.770	5.880	5.800	6-102692-0
59	120	59	120	6.270	6.380	6.300	5-102692-9
49	100	49	100	5.270	5.380	5.300	5-102692-8
47	96	47	96	5.070	5.180	5.100	5-102692-7
80	80	80	80	4.270	4.380	4.300	5-102692-6
39	60	39	60	3.270	3.380	3.300	5-102692-5
29	50	29	50	2.770	2.880	2.800	5-102692-4
17	36	17	36	2.070	2.180	2.100	5-102692-3
11	24	11	24	1.470	1.580	1.500	5-102692-2
5	12	5	12	.870	.980	.900	5-102692-1
12	26	12	26	1.570	1.680	1.600	2-102692-9
79	160	79	160	8.270	8.380	8.300	2-102692-8
46	94	46	94	4.970	5.080	5.000	2-102692-7
21	44	21	44	2.470	2.580	2.500	2-102692-6
6	14	6	14	.970	1.080	1.000	2-102692-5
89	180	89	180	9.270	9.380	9.300	2-102692-4
73	148	73	148	7.670	7.780	7.700	2-102692-3
63	128	63	128	6.670	6.780	6.700	2-102692-2
69	140	69	140	7.270	7.380	7.300	2-102692-1
64	130	64	130	6.770	6.880	6.800	2-102692-0
42	86	42	86	4.570	4.680	4.600	1-102692-9
35	72	35	72	3.870	3.980	3.900	1-102692-8
14	30	14	30	1.770	1.880	1.800	1-102692-7
9	20	9	20	1.270	1.380	1.300	1-102692-6
16	16	16	16	1.070	1.180	1.100	1-102692-5
34	70	34	70	3.770	3.880	3.800	1-102692-4
19	40	19	40	2.270	2.380	2.300	1-102692-3
49	90	49	90	4.770	4.880	4.800	1-102692-2
99	200	99	200	10.270	10.380	10.300	1-102692-1
54	110	54	110	5.770	5.880	5.800	1-102692-0
59	120	59	120	6.270	6.380	6.300	102692-9
49	100	49	100	5.270	5.380	5.300	102692-8
47	96	47	96	5.070	5.180	5.100	102692-7
80	80	80	80	4.270	4.380	4.300	102692-6
39	60	39	60	3.270	3.380	3.300	102692-5
29	50	29	50	2.770	2.880	2.800	102692-4
17	36	17	36	2.070	2.180	2.100	102692-3
11	24	11	24	1.470	1.580	1.500	102692-2
5	12	5	12	.870	.980	.900	102692-1

THIS DRAWING IS A CONTROLLED DOCUMENT.

STE TE Connectivity

HEADER ASSEMBLY, MOD II, .100C.100CL, .025 SQ POSTS

00779C=102692

SCALE 4:1 SHEET 1 OF 1 REV 15