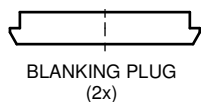
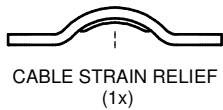
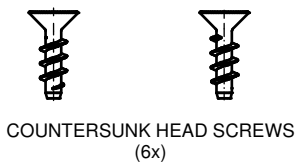
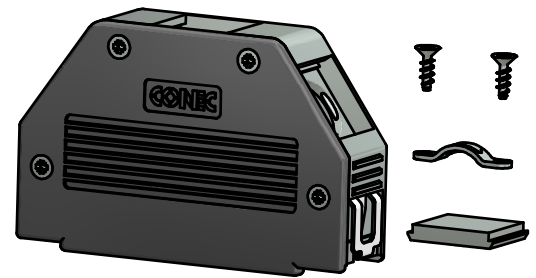
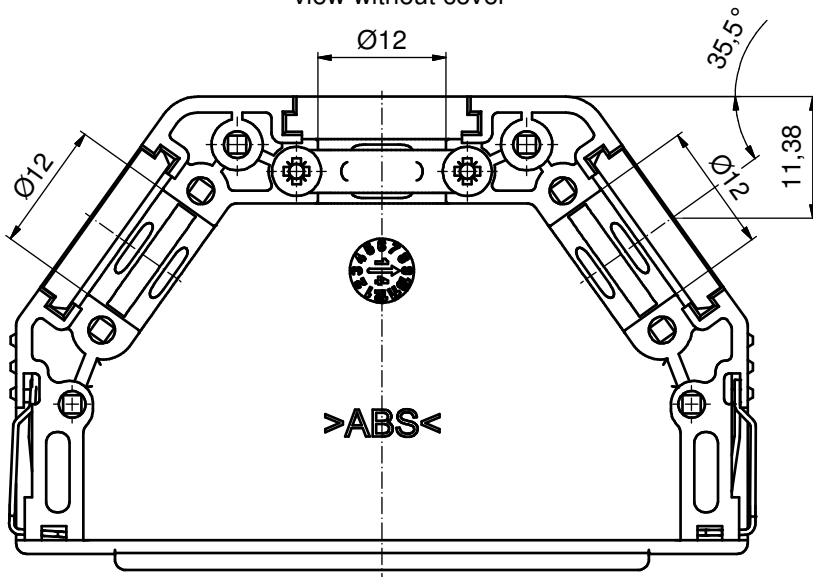


view without cover



b	Part-No.	Part-No.
	Bulk package	Single package
	16-001790	16-001790E

RoHS compliant

**HOOD ASSEMBLY CONSISTS OF:**

1. HOOD + COVER: ABS UL 94 V-0; NICKEL PLATED
2. BLANKING PLUGS: ABS UL 94 V-0; NICKEL PLATED
3. CABLE STRAIN RELIEF: STEEL; NICKEL PLATED
4. CLIP: STAINLESS STEEL
5. COUNTERSUNK HEAD SCREWS: STEEL; NICKEL PLATED

THIS DRAWING MAY NOT BE COPIED OR REPRODUCED IN ANY WAY, AND MAY NOT BE PASSED ON TO A THIRD PARTY WITHOUT WRITTEN PERMISSION. OWNERSHIP AND COPYRIGHT OF CONEC GmbH DO NOT ALTER CAD DRAWING BY HAND	tolerance		dim. in mm		scale: 2:1 (1:1)	
	date		name		material: see drawing	
	drawn	25.09.14	Henneboel		title: <b>Plastic Hood 50pos</b> with Snap Lock / top and two sides cable exit	
	appd.	25.09.14	Strakerjahn			
	norm					
	d-old				dwg no:	
2 x b	Ä5619	22.04.2015	K.H.	16K1A3533		
a	Original			DIN-A3		
rev.	description	date	name	sh: 1		
<b>CONEC</b>				part no: b SEE TABLE		