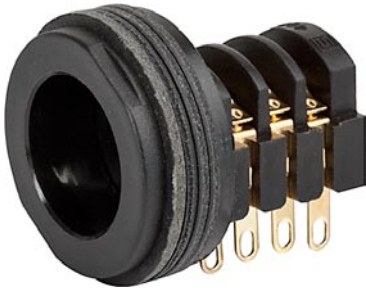


Daten &amp; Signal, Socket, 7.5 mm, 4-pole, solder terminal, insulated



### Description

- Solder terminal:  
Screw-on mounting, from rear-side
- Data and Signal transfer
- Data and Signal Connectors 4-pole, insulated, straight
- Reinforced gold plating for increased insertions

### Weblinks

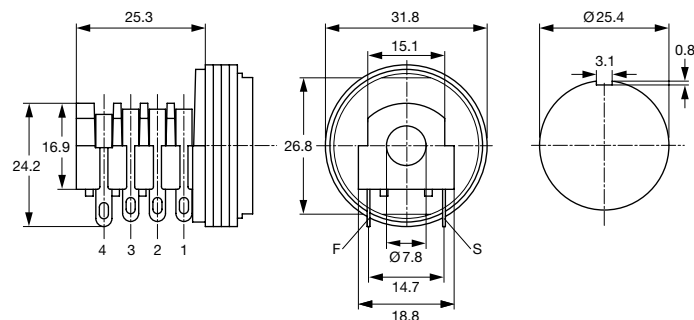
[pdf-datasheet](#), [html-datasheet](#), [General Product Information](#), [RoHS](#), [CHINA-RoHS](#), [Mating Connectors](#), [e-Shop](#), [SCHURTER-Stock-Check](#), [Distributor-Stock-Check](#)

### Technical Data

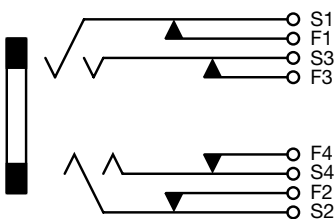
Diameter	7.5 mm
Number of Poles	4-pole
Ratings DC	2A / 12VDC
Ratings AC	2A / 12VAC
Dielectric Strength	1000VDC
Insulation Resistance	> 10000 MΩ @ 500VDC

Allowable Operation Temp.	-20 °C to 70 °C
Terminal	solder terminal
Mounting	Screw-on mounting wall thickness max. 7.6mm
Housing	insulated
Style	straight
Lifetime	10000 Insertions

### Dimensions



### Diagrams



### Variants

Product group	Diameter [mm]	Number of Poles	Terminal	Order Number
Data and Signal Plug/ Sockets	7.5	4-pole	solder terminal	4804.2410

**Packaging unit** 100 Pcs

## Mating Inlets/Plugs

### Category / Description



[Data and Signal Plug/Socket Overview complete](#)

Data & Signal, Plug, 7.5 mm, 4-pole, solder terminal, insulated, black 4804.1400

Data & Signal, Plug, 7.5 mm, 4-pole, solder terminal, insulated, brown 4804.1401

[Data and Signal Plug/Socket further types to 4804 UK-Stecker, D=7,5mm](#)