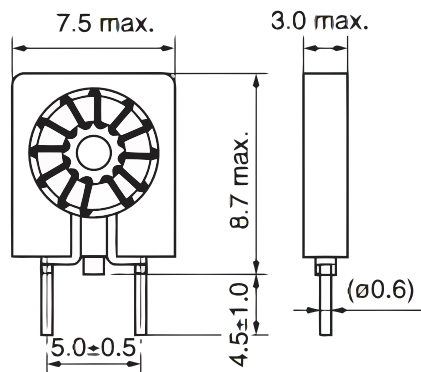


KEMET Part Number: SBT-0208
(UDLSBT00208000)

KEMET, SBT, DC Line Filters, Normal Mode, 8000 nH, 50%



Dimensions

Dimension	Value
L	7.5mm MAX
W	3mm MAX
T	3mm MAX
H	8.7mm MAX
LL	4.5mm +/-1mm
S	5mm +/-0.5mm

Packaging Specifications

Packaging:	Bulk
Packaging Quantity:	100
Weight:	240 mg

General Information

Series:	SBT
Style:	Through-Hole
RoHS:	Yes
Miscellaneous:	Inductance: 70mAmps (1kHz)

Specifications

Voltage DC:	50 VDC
Inductance:	8 uH
Inductance Tolerance:	50%
Temperature Range:	-25/+70°C
DC Resistance:	20 Ohms