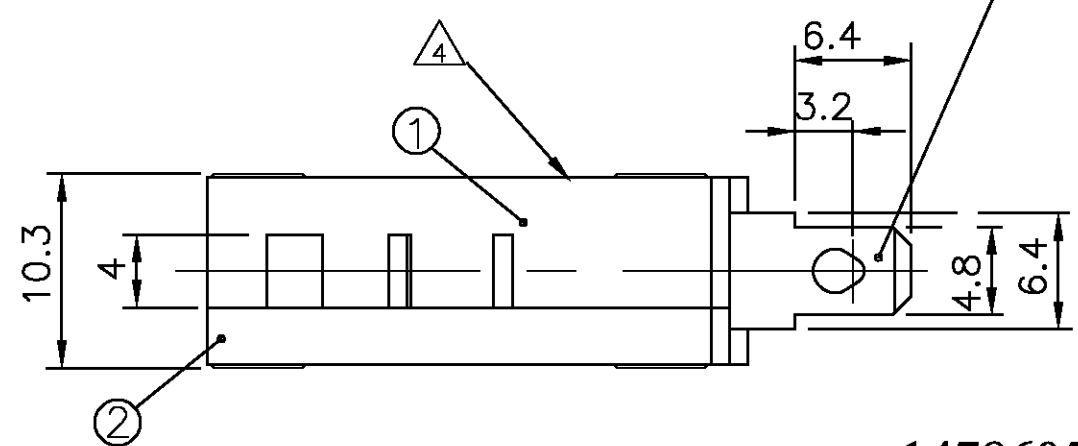


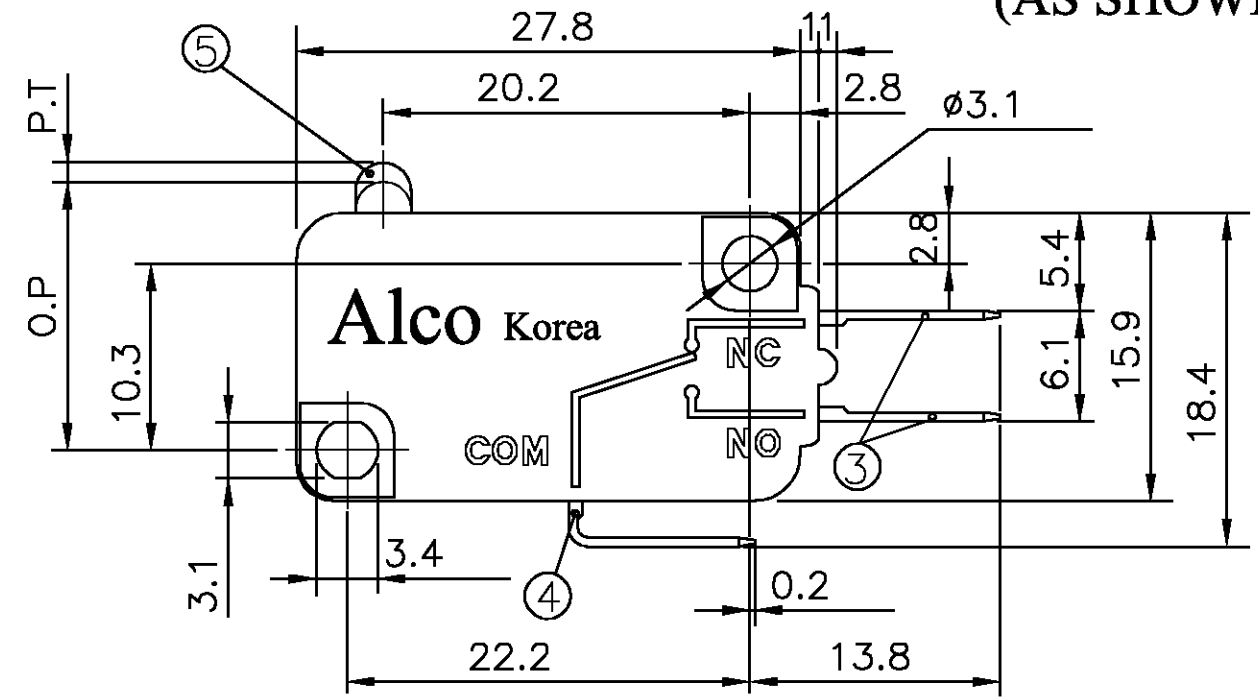
THIS DRAWING IS UNPUBLISHED. RELEASED FOR PUBLICATION
 © COPYRIGHT BY TYCO ELECTRONICS CORPORATION. ALL RIGHTS RESERVED.

LOC		DIST		REVISIONS			
P	LTR	DESCRIPTION		DATE	DWN	APVD	
E	B	E	EBDO-0129-03	04-06-03	SS	JA	

.187 TAB & SOLDERING TERMINAL, 0.5mm THICK.

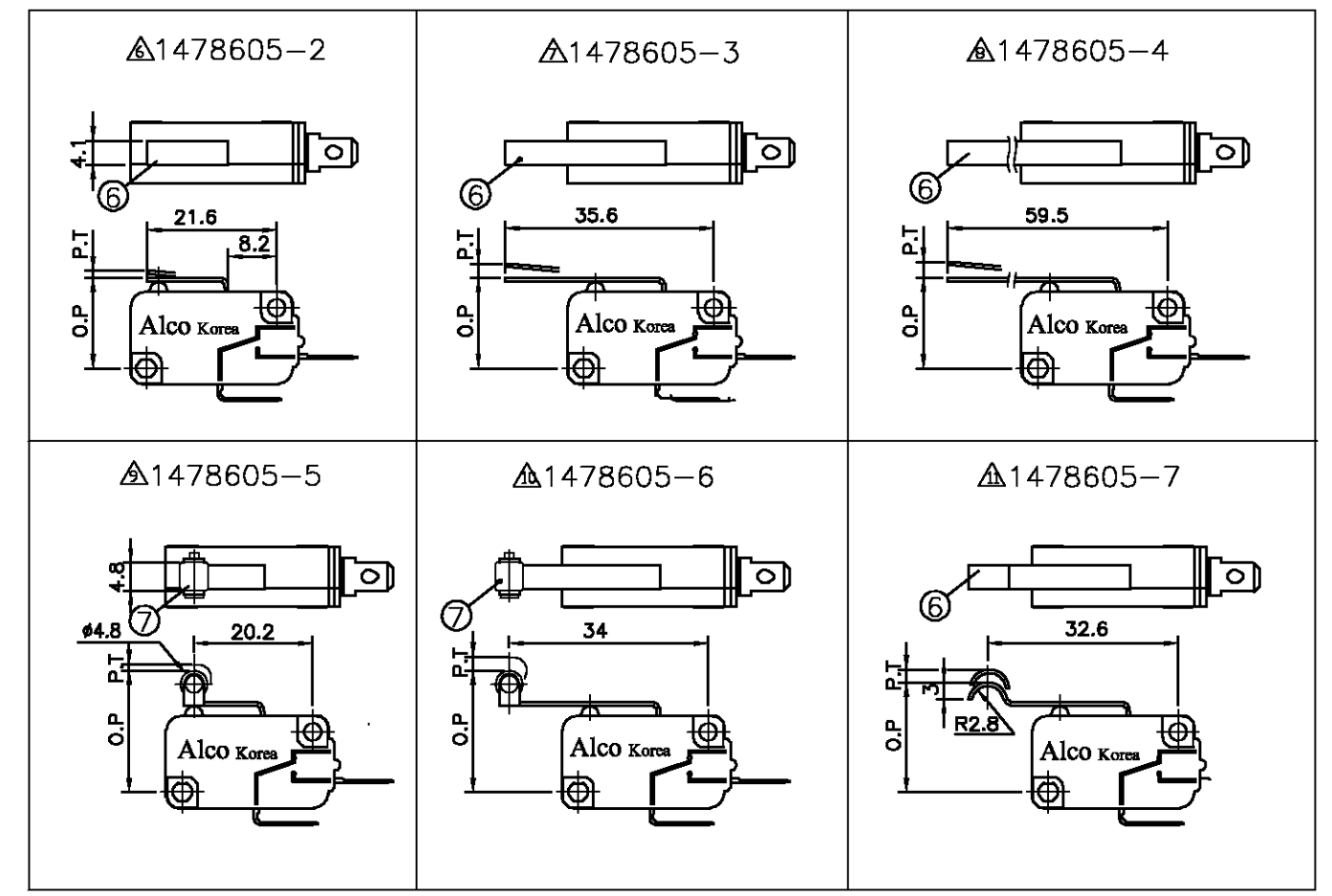


1478605-1
(AS SHOWN)



SPECIFICATION DATA

	Minature Range		
	16	5	0.1
Amp Rating	16	5	0.1
Insulation Resistance	Min. 100M ohm		
Contact Resistance	Max 15 M ohm		Max 50 M ohm
Dielectric Strength	Between Non-consecutive terminals		AC 2,000V
	Between Non-consecutive terminals		AC 2,000V
Operating Speed	0.2mm/sec - 1,000mm/sec		1mm/sec - 500mm/sec
Max allowed Mechanical Open/Close Frequencies	600 Cycles/min		300 Cycles/min
Shock Resistance (Without Lever)	300mm/sec sq (approx 30G)		
Vibration Resistance (Without Lever)	1.5mm 10-55 Hz (2Hr)		1.5mm 10 - 20Hz (2 Hr)
Electrical Life	100,000 Operations at Rated Load (Max 20 Operations/min)		1,000,000 Operations
Mechanical Life	10,000,000 Operations (Max 200 operations/min)		
Safety Approval	UL / CSA / VDE		
Operating Temperature Range	-20 deg C to 130 deg C RH85% Max		-30 deg C to 130 deg C RH90% Max
UL File No.	E60363		
CSA File No	218582		
VDE File No.	40006699		40006698



NOTES:

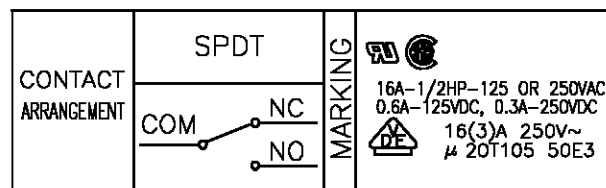
1 FOR TECHNICAL DATA REFER TO YOUR LOCAL TYCO ELECTRONICS SALES OFFICE.

ALL DIMENSIONS ARE NOMINAL. FOR REFERENCE ONLY UNLESS OTHERWISE STATED.

3 ALL DIMENSIONS ARE COMMON TO THE MAIN BODY. VARIATIONS ARE IN THE OPERATING LEVERS.

4 TYCO PART NUMBER AND LOT No. INKJET MARKED IN THIS AREA.

5 GENERAL INFO.



6 FOR PACKAGING INFORMATION SEE SPEC. 107-115

DRAWING NO	△	CHARACTERISTICS					
		Operating Force	Releasing Force	Pre Travel	Operating Position	Over Travel	Movement Differential
1	1478605-1	Max 300 g	Min 70 g	Max 1.6 m/m	14.8 ±0.4 m/m	Min 0.8 m/m	Max 0.4 m/m
2	1478605-2	330 g	70 g	1.6 m/m	15.4 ±0.4 m/m	0.8 m/m	0.4 m/m
3	1478605-3	180 g	30 g	4.0 m/m	15.4 ±1.4 m/m	1.3 m/m	1.2 m/m
4	1478605-4	90 g	15 g	7.5 m/m	15.4 ±3.0 m/m	2.6 m/m	2.4 m/m
5	1478605-5	350 g	70 g	1.6 m/m	20.7 ±0.8 m/m	0.8 m/m	0.4 m/m
6	1478605-6	180 g	30 g	4.0 m/m	20.7 ±1.6 m/m	1.3 m/m	1.2 m/m
7	1478605-7	180 g	30 g	4.0 m/m	18.6 ±1.5 m/m	1.3 m/m	1.2 m/m

7	ROLLER	(1)
6	LEVER	(1)
5	BUTTON	1
4	COMMON TERMINAL	1
3	TERMINAL	2
2	COVER	1
1	BOX	1
NO	PART NAME	Q'TY

MP16-DT-ASMF	△ 1478605-7	Microswitch, Simu Lever	Blue	1000	CARTON
MP16-DT-ANRF	△ 1478605-6	Microswitch, Norm Roller	Blue	800	CARTON
MP16-DT-ASRK	△ 1478605-5	Microswitch, Short Roller	Blue	1000	CARTON
MP16-DT-ALLC	△ 1478605-4	Microswitch, Long Lever	Blue	600	CARTON
MP16-DT-ANLF	△ 1478605-3	Microswitch, Norm Lever	Blue	800	CARTON
MP16-DT-ASLJ	△ 1478605-2	Microswitch, Short Lever	Blue	1000	CARTON
MP16-DT-AOLI	1478605-1	Microswitch, Pin Plunger	Blue	1000	CARTON

TYCO SALES PART No. TYCO PART NO. DESCRIPTION COLOUR QTY PACK DESC

THIS DRAWING IS A CONTROLLED DOCUMENT.		DWN P. Bates 3-10-01	tyco Electronics		Tyco Electronics Corporation Bideford, Devon, EX39 4HE	
DIMENSIONS: MM		CHK -	NAME		MICRO SWITCH 16A SOLDER TERMINAL 300g RANGE	
TOLERANCES UNLESS OTHERWISE SPECIFIED:		APVD -	PRODUCT SPEC		SIZE CAGE CODE DRAWING NO RESTRICTED TO	
0 PLC ± -		APVD -	APPLICATION SPEC		A2 00779 C=1478605	
1 PLC ± 0.4		WEIGHT -	SCALE 1:1		SHEET 1 OF 2 REV E	
2 PLC ± 0.4		CUSTOMER DRAWING				
3 PLC ± -						
4 PLC ± -						
ANGLES ± -						
FINISH -						


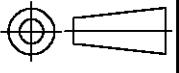
THIS DRAWING IS UNPUBLISHED. RELEASED FOR PUBLICATION
 © COPYRIGHT BY TYCO ELECTRONICS CORPORATION. ALL RIGHTS RESERVED.

LOC		DIST		REVISIONS			
P	LTR	DESCRIPTION	DATE	DWN	APVD		
E	B	E	EBDO-0129-03	04-06-03	SS	JA	

MAJOR COMPONENT & MATERIAL LIST

NO	PART NAME	MATERIAL	Q'ty	UL FRAME	FINISH (COLOR)
1	CASE	P.B.T RESIN	1	94 V-0	
2	COVER		1		
3	MOVABLE CONTACTOR	Brass Sheet t=0.4	1		SILVER PLATING
4	GUIDE PLATE	Brass Sheet t=0.8	1		SILVER PLATING
5	COMMON TERMINAL	Brass Sheet t=0.8	1		SILVER PLATING
6	PLATE SPRING	Beryllium Copper Sheet (t=0.1~ 0.25)	1		
7	TERMINAL AID	Brass Sheet (t=0.8)	0		
8	CONTACT	Ag alloy(AgCdO,AgSnO2)	3		
9	TERMINAL	Brass Sheet (t=0.8)	2		SILVER PLATING
10	ACTUATOR	PHENOLIC RESIN	1	94 V-0	
11	LEVER	Stainless SteelSheet (t=0.6)	(1)		

() = Where Applicable

THIS DRAWING IS A CONTROLLED DOCUMENT.		DWN S.Shackson 04-06-03	 Tyco Electronics Corporation Bideford, Devon, EX39 4HE	
DIMENSIONS: MM		CHK F.Wheeler-King 04-06-03		
		APVD F.Wheeler-King 04-06-03	NAME MICRO SWITCH 16A SOLDER TERMINAL 300g RANGE	
TOLERANCES UNLESS OTHERWISE SPECIFIED:		PRODUCT SPEC	SIZE A2	
0 PLC ± -		APPLICATION SPEC	CAGE CODE 00779	DRAWING NO C=1478605
1 PLC ± -		WEIGHT	RESTRICTED TO	
2 PLC ± -				
3 PLC ± -				
4 PLC ± -				
ANGLES ± -				
FINISH				
MATERIAL				
		CUSTOMER DRAWING	SCALE 1:1	SHEET 2 OF 2
			REV E	