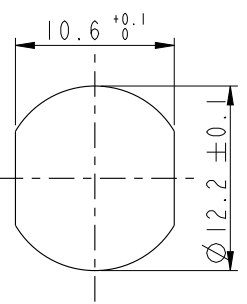
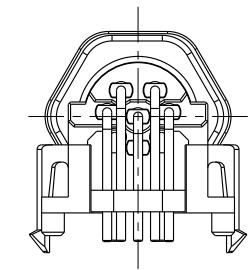
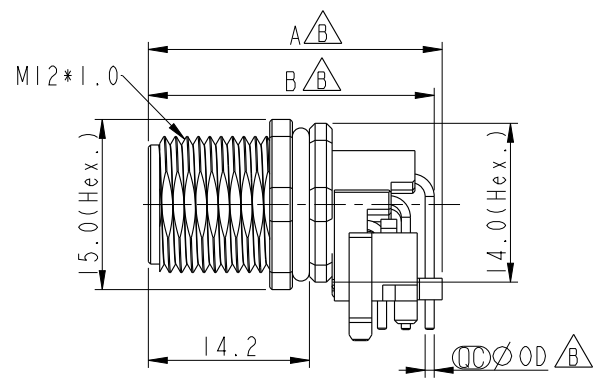
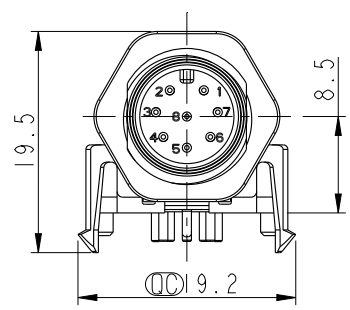
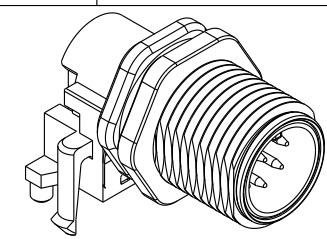
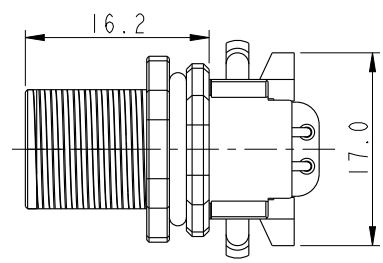


THIS DOCUMENT IS SUBJECT TO CHANGE WITHOUT NOTICE. IT IS CONFIDENTIAL AND A PROPERTY OF AMPHENOL LTW. DISCLOSURE TO THIRD PARTY HAS TO BE AUTHORIZED BY AMPHENOL LTW.

REV.	ECN NO.	DATE	SIGN	DESCRIPTION
B	C190510	2019-03-21	Su Nan	Add The Size Table

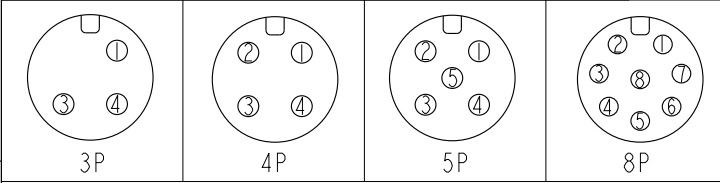


Recommended
Panel Cut-Out

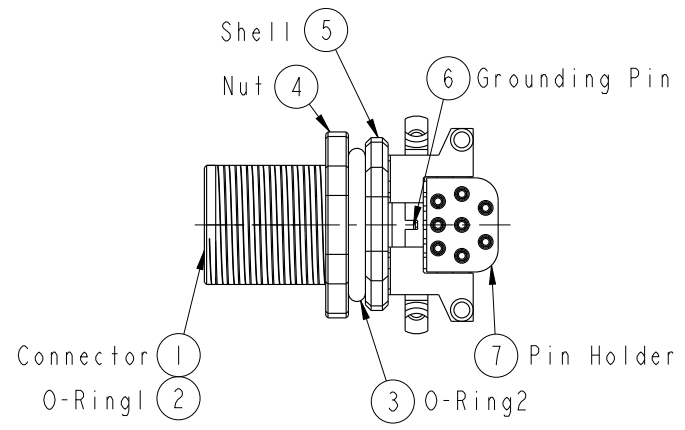


MSAS-03PMMR-SF7003	26.1	25.0	1.0
MSAS-04PMMR-SF7003	26.1	25.0	1.0
MSAS-05PMMR-SF7003	26.1	25.0	1.0
MSAS-08PMMR-SF7003	25.9	25.2	0.8

Item No.	A	B	OD
----------	---	---	----



Pin Assignment Front View



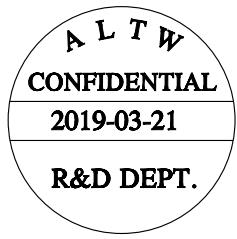
- Note:
- * \varnothing Important Dimension To Check.
 - * Waterproof Rating: IP67(Mated Waterproof)
 - * Connector: PBT+PC, Black
 - * Male Pins: Copper Alloy, Gold Plated
 - * Shell: Zinc Alloy, Nickel Plated
 - * Nut: Zinc Alloy, Nickel Plated
 - * Grounding Pin: Copper Alloy, Tin Plated
 - * O-Ring1: Silicone, Black
 - * O-Ring2: Silicone, Gray
 - * Pin Holder: PBT+PC, Black
 - * Rated Voltage: 3 & 4Pin 250V dc. or ac.
5Pin 60V dc. or ac.
8Pin 30V dc. or ac.
 - * Rated Current: 3~5Pin 4A
8Pin 2A
 - * For Panel Thickness Max. 3.0mm
 - * For PCB Thickness Max. 1.5mm

UNIT: mm			TITLE M12, 90° Panel, w/ Grounding Pin MCONN MPIN (Mated Waterproof)
TOLERANCE .X ±0.25 .XX ±0.1 .XXX ±0.05 ANGLES ±1°	SCALE 3:2	SIZE A4	SHEET 1 OF 2
REV. B	WC-REV. A.2	\varnothing : Inspection item	

Amphenol LTW
安費諾亮泰企業股份有限公司

ITEM NO. MSAS-XXPMMR-SF7003	DRAWN BY Su Nan	DATE 2019-03-21
DWG NO. MSAS-XXPMMR-SF7003	CHECKED BY Feng	DATE 2019-03-21
CUSTOMER ALTW	APPROVED BY Jerry	DATE 2019-03-21

THIS DOCUMENT IS SUBJECT TO CHANGE WITHOUT NOTICE. IT IS CONFIDENTIAL AND A PROPERTY OF Amphenol LTW. DISCLOSURE TO THIRD PARTY HAS TO BE AUTHORIZED BY Amphenol LTW.

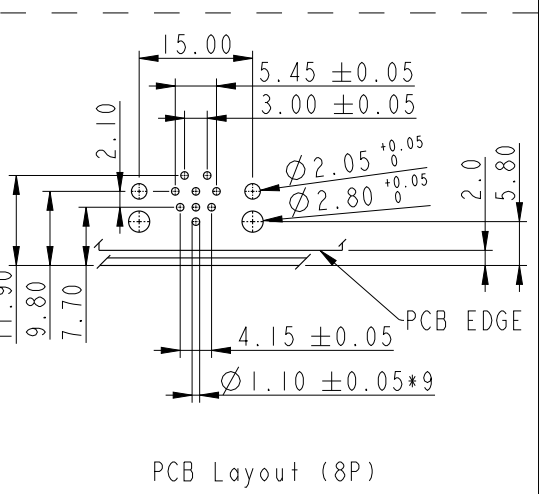
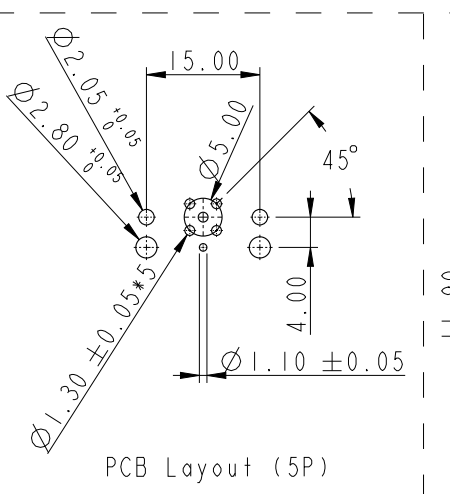
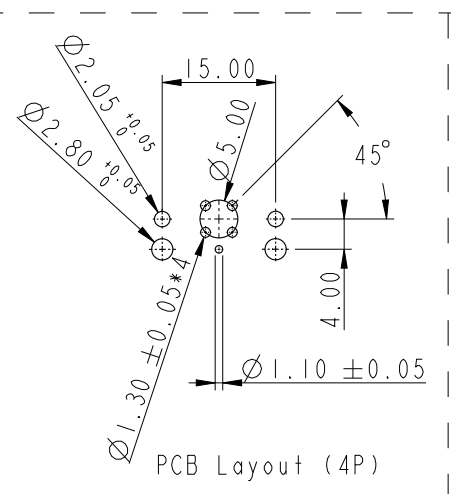
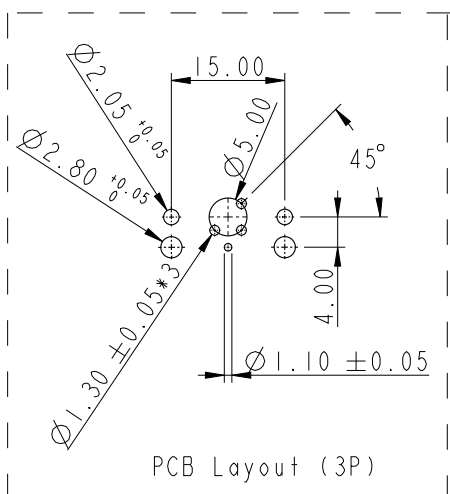


M SAS - XX P M M R - S F 7 003

SAS: A-Code Shielded
 03: 3Pin
 04: 4Pin
 05: 5Pin
 08: 8Pin

P: Panel (板端)
 M: Male Connector (公座)

003: M12*1.0
 7: IP67 (防水等級67)
 F: Front Fasten (前鎖式/Enclosure Rear Mount)
 S: Screw (螺紋式)
 R: 90° PCB THT/DIP Type (90° 基板插件式)
 M: Male Pin (公Pin)



UNIT: mm		
TOLERANCE	.X ±0.25	
.XX ±0.1		
.XXX ±0.05		
ANGLES	±1°	

TITLE M12, 90° Panel, w/ Grounding Pin MCONN MPIN (Mated Waterproof)		
SCALE 3:2	SIZE A4	SHEET 2 OF 2
REV. B	WC-REV. A.2	QC: Inspection item

Amphenol LTW
 安費諾亮泰企業股份有限公司

ITEM NO MSAS-XXPMMR-SF7003	DRAWN BY Su Nan	DATE 2019-03-21
DWG NO MSAS-XXPMMR-SF7003	CHECKED BY Feng	DATE 2019-03-21
CUSTOMER ALTW	APPROVED BY Jerry	DATE 2019-03-21

DATE 2019-03-21
DATE 2019-03-21
DATE 2019-03-21