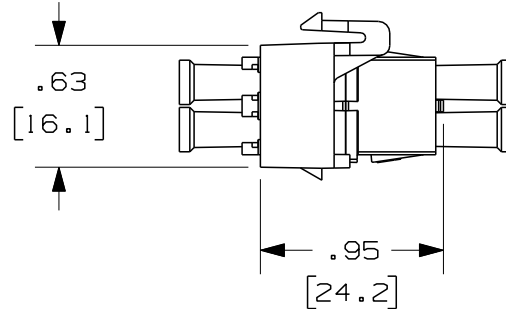
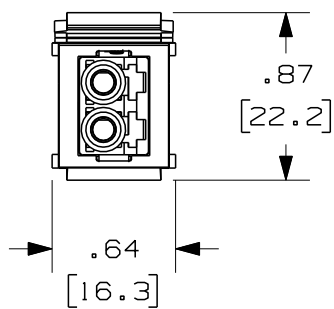


THIS COPY IS PROVIDED ON A RESTRICTED BASIS AND IS NOT TO BE USED IN ANY WAY DETRIMENTAL TO THE INTERESTS OF PANDUIT CORP.



ISOMETRIC VIEW  
SHOWN W/O DUST CAPS

| PANDUIT P/N | WEIGHT                              | SPLIT SLEEVE TYPE |
|-------------|-------------------------------------|-------------------|
| NKDLCM**    | .09 lbs/10 pcs<br>[ 39.4 g/10 pcs ] | PHOSPHOR BRONZE   |
| NKDLCMZ**   | .09 lbs/10 pcs<br>[ 39.4 g/10 pcs ] | ZIRCONIA          |

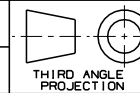
NOTES:

- SEE CURRENT CATALOG FOR PART NUMBER SUFFIXES TO INDICATE COLOR OF MODULE BASE, AND/OR PACKAGE QUANTITIES.
- SEE CATALOG FOR COMPLETE LIST OF PARTS APPLICABLE FOR USE WITH THIS PART.
- MATERIALS:
  - MODULE BASE: ABS
  - ADAPTER HOUSING: POLYCARBONATE
  - SPLIT SLEEVE: PHOSPHOR BRONZE/ZIRCONIA
  - INNER LATCH: POLYETHERIMIDE
  - DUST CAP: THERMOPLASTIC ELASTOMER
- COMPLIANT WITH TIA/EIA-604-10 (FOCIS-10) AND TIA/EIA-568-B.3
- DIMENSIONS IN BRACKETS ARE METRIC [mm]

NETKEY FIBER OPTIC  
DUPLX LC ADAPTER MODULE  
CUSTOMER DRAWING



**PANDUIT**™  
CORP.  
TINLEY PARK, ILL 60477



ALL DIMENSIONS ARE GIVEN IN INCHES,  
UNLESS OTHERWISE SPECIFIED.  
DIMENSIONAL TOLERANCES ARE:  
(.X) (.XXX) ±.010 (0.3)  
(.XX) ±.03 (0.8) ANGLES

DRAWING FILENAME  
MO2066AB\_DC\_00A.prt

SCALE  
NONE

DRAWN BY  
MC

REVIEW DRAWING NUMBERS

PART NO.  
NKDLCM\*\*/NKDLCMZ\*\*

DATE  
09-20-04

SEE NOTES

DRAWING NO.

CHK'D

02066-06

SIZE  
A

| REV | DATE     | BY | CHK | DESCRIPTION            | ECN      | R | CUST | SUP | OTH |
|-----|----------|----|-----|------------------------|----------|---|------|-----|-----|
| R   | 10-14-04 | MC |     | RELEASED TO PRODUCTION | 02066-06 |   |      |     |     |