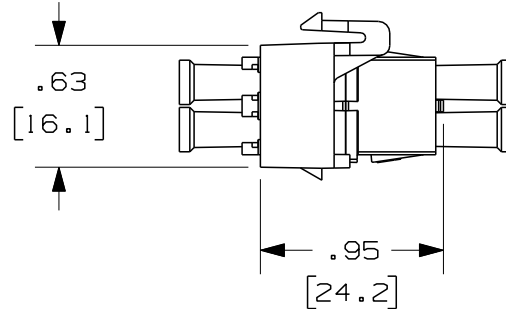
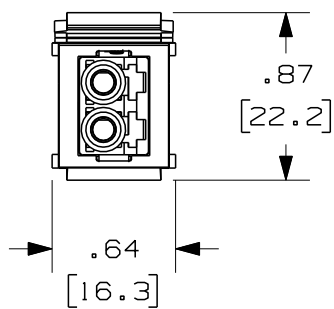


THIS COPY IS PROVIDED ON A RESTRICTED BASIS AND IS NOT TO BE USED IN ANY WAY DETRIMENTAL TO THE INTERESTS OF PANDUIT CORP.



ISOMETRIC VIEW
SHOWN W/O DUST CAPS

PANDUIT P/N	WEIGHT	SPLIT SLEEVE TYPE
NKDLCM**	.09 lbs/10 pcs [39.4 g/10 pcs]	PHOSPHOR BRONZE
NKDLCMZ**	.09 lbs/10 pcs [39.4 g/10 pcs]	ZIRCONIA

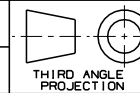
NOTES:

- SEE CURRENT CATALOG FOR PART NUMBER SUFFIXES TO INDICATE COLOR OF MODULE BASE, AND/OR PACKAGE QUANTITIES.
- SEE CATALOG FOR COMPLETE LIST OF PARTS APPLICABLE FOR USE WITH THIS PART.
- MATERIALS:
 - MODULE BASE: ABS
 - ADAPTER HOUSING: POLYCARBONATE
 - SPLIT SLEEVE: PHOSPHOR BRONZE/ZIRCONIA
 - INNER LATCH: POLYETHERIMIDE
 - DUST CAP: THERMOPLASTIC ELASTOMER
- COMPLIANT WITH TIA/EIA-604-10 (FOCIS-10) AND TIA/EIA-568-B.3
- DIMENSIONS IN BRACKETS ARE METRIC [mm]

NETKEY FIBER OPTIC
DUPLEX LC ADAPTER MODULE
CUSTOMER DRAWING



PANDUIT™
CORP.
TINLEY PARK, ILL 60477



ALL DIMENSIONS ARE GIVEN IN INCHES,
UNLESS OTHERWISE SPECIFIED.
DIMENSIONAL TOLERANCES ARE:
(.X) (.XXX) ±.010 (0.3)
(.XX) ±.03 (0.8) ANGLES

DRAWING FILENAME
MO2066AB_DC_00A.prt

SCALE
NONE

DRAWN BY
MC

REVIEW DRAWING NUMBERS

PART NO.
NKDLCM**/NKDLCMZ**

DATE
09-20-04

SEE NOTES

DRAWING NO.
02066-06

CHK'D

SIZE
A

REV	DATE	BY	CHK	DESCRIPTION	ECN	R	CUST	SUP	OTH
R	10-14-04	MC		RELEASED TO PRODUCTION	02066-06				