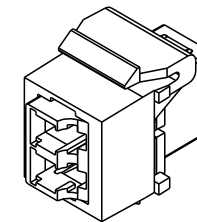
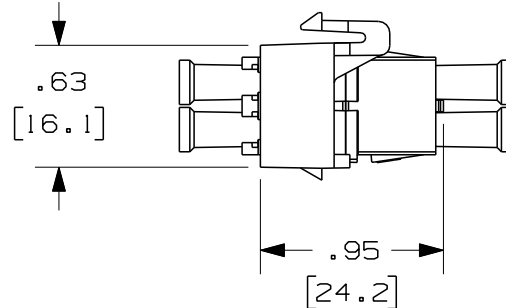
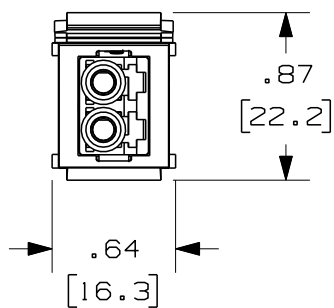
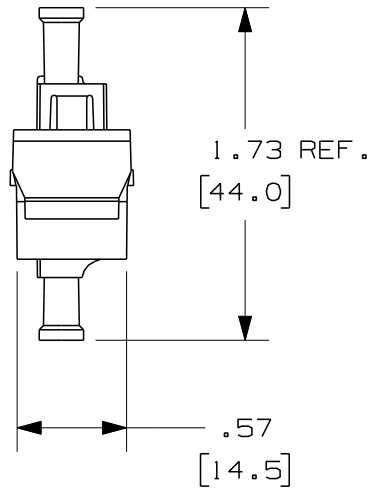


THIS COPY IS PROVIDED ON A RESTRICTED BASIS AND IS NOT TO BE USED IN ANY WAY DETRIMENTAL TO THE INTERESTS OF PANDUIT CORP.



ISOMETRIC VIEW  
SHOWN W/O DUST CAPS

PANDUIT P/N	WEIGHT	SPLIT SLEEVE TYPE
NKDLCM**	.09 lbs/10 pcs [ 39.4 g/10 pcs ]	PHOSPHOR BRONZE
NKDLCMZ**	.09 lbs/10 pcs [ 39.4 g/10 pcs ]	ZIRCONIA

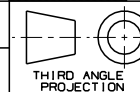
NOTES:

- SEE CURRENT CATALOG FOR PART NUMBER SUFFIXES TO INDICATE COLOR OF MODULE BASE, AND/OR PACKAGE QUANTITIES.
- SEE CATALOG FOR COMPLETE LIST OF PARTS APPLICABLE FOR USE WITH THIS PART.
- MATERIALS:
  - MODULE BASE: ABS
  - ADAPTER HOUSING: POLYCARBONATE
  - SPLIT SLEEVE: PHOSPHOR BRONZE/ZIRCONIA
  - INNER LATCH: POLYETHERIMIDE
  - DUST CAP: THERMOPLASTIC ELASTOMER
- COMPLIANT WITH TIA/EIA-604-10 (FOCIS-10) AND TIA/EIA-568-B.3
- DIMENSIONS IN BRACKETS ARE METRIC [mm]

NETKEY FIBER OPTIC  
DUPLEX LC ADAPTER MODULE  
CUSTOMER DRAWING



**PANDUIT**™  
CORP.  
TINLEY PARK, ILL 60477



ALL DIMENSIONS ARE GIVEN IN INCHES,  
UNLESS OTHERWISE SPECIFIED.  
DIMENSIONAL TOLERANCES ARE:  
(.X) (.XXX) ±.010 (0.3)  
(.XX) ±.03 (0.8) ANGLES

DRAWING FILENAME  
MO2066AB\_DC\_00A.prt

SCALE  
NONE

DRAWN BY  
MC

REVIEW DRAWING NUMBERS

PART NO.  
NKDLCM\*\*/NKDLCMZ\*\*

DATE  
09-20-04

SEE NOTES

DRAWING NO.

02066-06

SIZE

A

REV	DATE	BY	CHK	DESCRIPTION	ECN	R	CUST	SUP	OTH
R	10-14-04	MC		RELEASED TO PRODUCTION	02066-06				