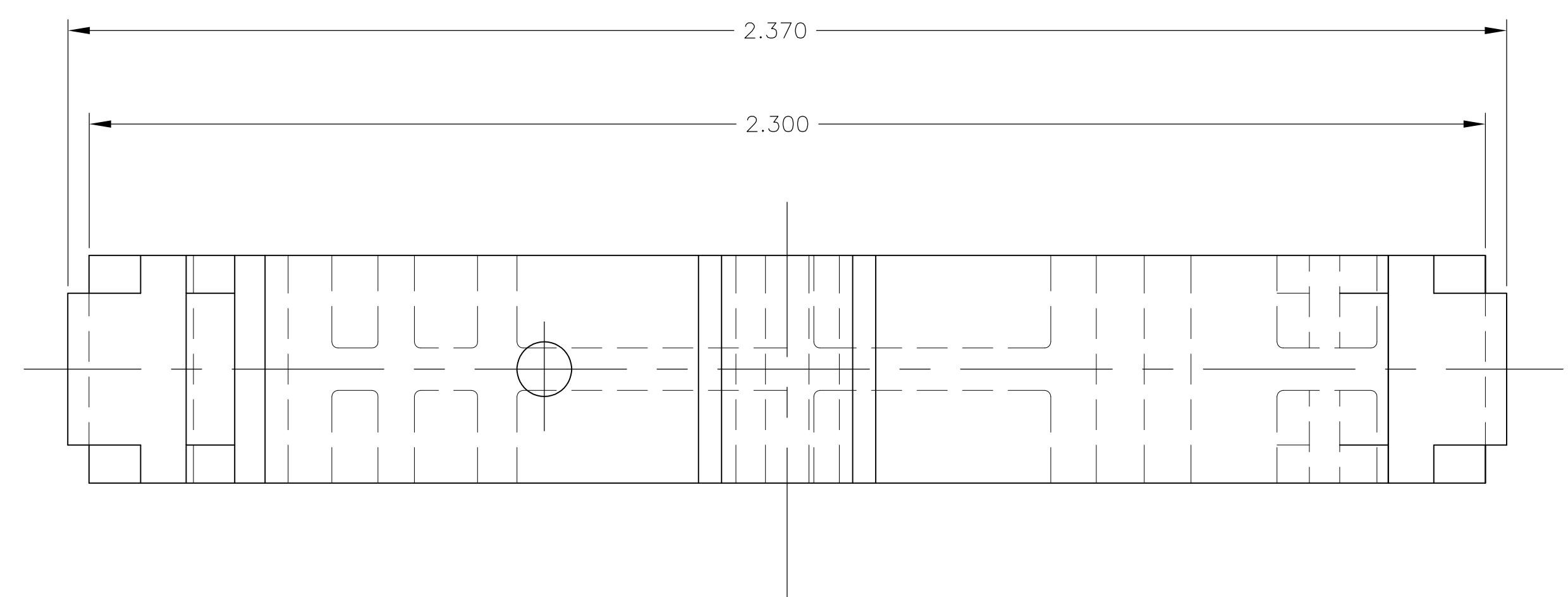
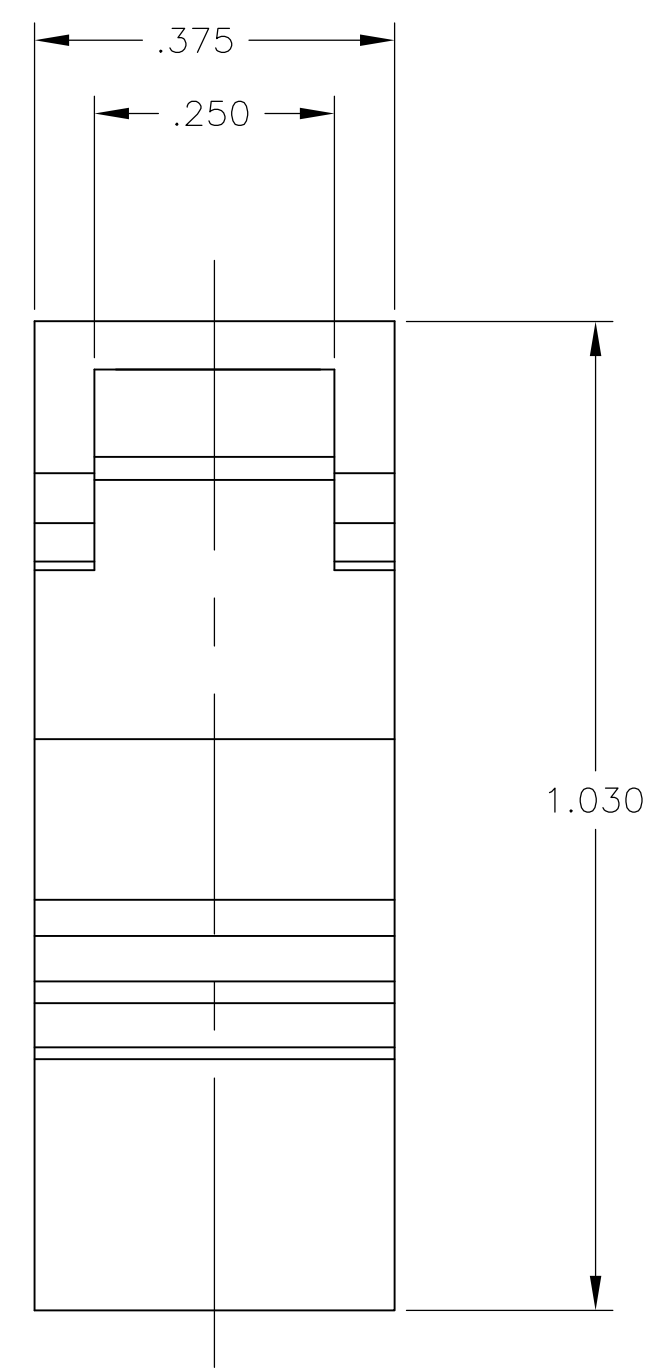
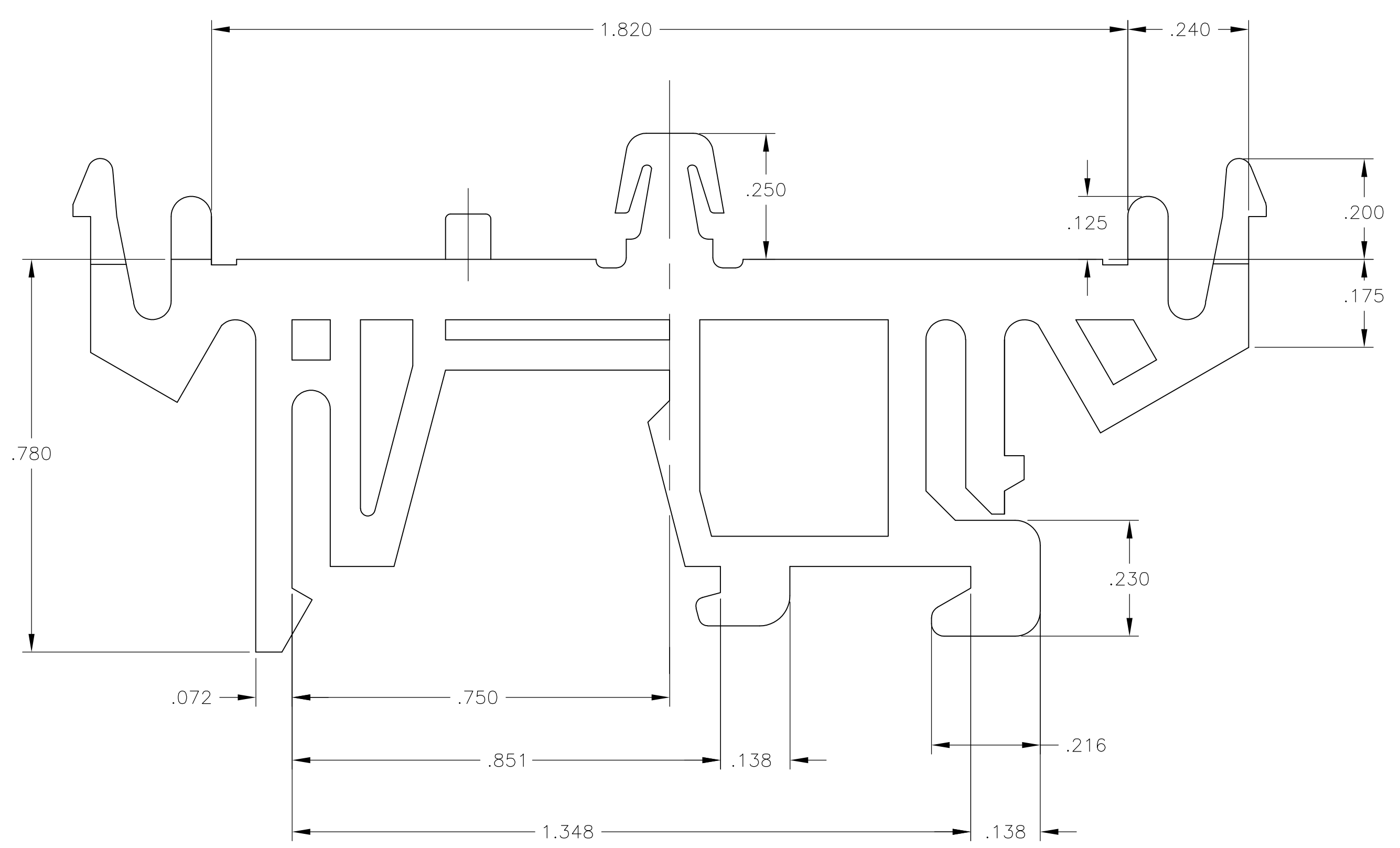


LOC		DIST		REVISIONS			
P	LTR	DESCRIPTION	DATE	DMN	APVD		
A		REVISED PER ECO-08-029264	24NOV08	HMR	SM		



1 MATERIAL: UL94V-0 POLYCARBONATE
 GE LEXAN 940-MED, STANDARD GRAY CHROMA±82088
 MAXIMUM ALLOWABLE REGRIND - 25 PERCENT



THIS DRAWING IS A CONTROLLED DOCUMENT.		DIN	24NOV2008	Tyco Electronics Corporation	
DIMENSIONS: INCHES		CHK	24NOV2008	Harrisburg, PA 17105-3608	
TOLERANCES UNLESS OTHERWISE SPECIFIED:		APVD	24NOV2008	TKAD=TRK ADPT .640054900	
0 PL	± .005	NAME		RESTRICTED TO	
1 PL	± .005	PRODUCT SPEC		-	
2 PL	± .005	APPLICATION SPEC		-	
3 PL	± .005	SIZE		A1	
4 PL	± .005	CAGE CODE		6-1437661-4	
ANGLES	± .005	DRAWING NO		6-1437661-4	
MATERIAL	FINISH	WEIGHT		SCALE 1:5	
1	-	CUSTOMER DRAWING		SHEET 1 OF 1 REV A	