



## OD1232 Series

DC Fan - 12V, 24V, 48V  
120 x 32mm (4.7.62 x 1.25in)

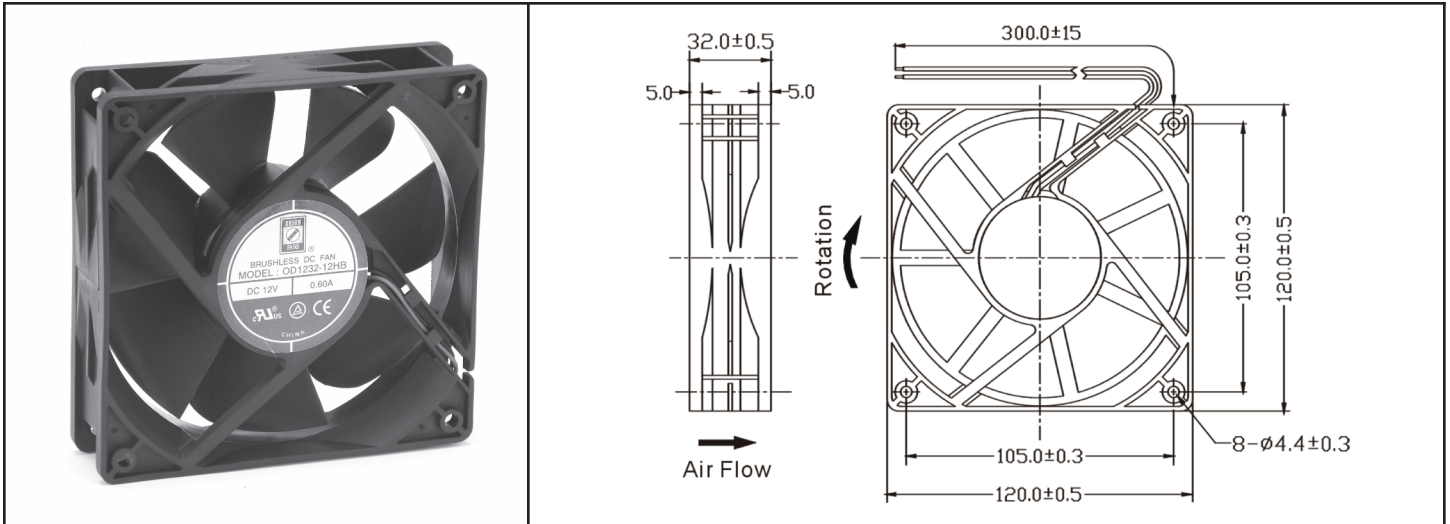


| Model #        | Pg # | Voltage | RPM  | CFM | Noise Level | Max Static Pressure  |
|----------------|------|---------|------|-----|-------------|----------------------|
| OD1232-12H     | 2    | 12 VDC  | 3750 | 120 | 51 dB       | .42 H <sub>2</sub> O |
| OD1232-12M     | 2    | 12 VDC  | 3300 | 107 | 48 dB       | .33 H <sub>2</sub> O |
| OD1232-12L     | 2    | 12 VDC  | 2900 | 93  | 44 dB       | .27 H <sub>2</sub> O |
| OD1232-24H     | 2    | 24 VDC  | 3750 | 120 | 51 dB       | .42 H <sub>2</sub> O |
| OD1232-24M     | 2    | 24 VDC  | 3300 | 107 | 48 dB       | .33 H <sub>2</sub> O |
| OD1232-24L     | 2    | 24 VDC  | 2900 | 93  | 44 dB       | .27 H <sub>2</sub> O |
| OD1232-48H     | 2    | 48 VDC  | 3750 | 120 | 51 dB       | .42 H <sub>2</sub> O |
| OD1232-48M     | 2    | 48 VDC  | 3300 | 107 | 48 dB       | .33 H <sub>2</sub> O |
| OD1232-48L     | 2    | 48 VDC  | 2900 | 93  | 44 dB       | .27 H <sub>2</sub> O |
| OD1232-24MB02A | 3    | 24 VDC  | 3300 | 107 | 48 dB       | .33 H <sub>2</sub> O |
| OD1232-48MB02A | 4    | 48 VDC  | 3300 | 107 | 48 dB       | .33 H <sub>2</sub> O |

# OD1232 Series



DC Fan - 12, 24, 48V  
120x32mm (4.7"x 1.25")



|                              |   |   |  |
|------------------------------|---|---|--|
| <b>Frame &amp; Impeller</b>  | PBT, UL94V-0 plastic                            | <b>Available Options:</b><br>Tachometer (FG)<br>Alarm (RD)<br>Thermal Speed Control<br>PWM Input<br><u>Life Expectancy (L10)</u><br>Ball Bearing<br>60,000 hours (L10 at 40C)<br>Sleeve Bearing<br>30,000 hours (L10 at 40C)<br><u>Operating Temperature</u><br>Ball Bearing<br>-20C ~ +75C<br>Sleeve Bearing<br>-10C ~ +50C<br><br>Weight: ~0.47 lbs<br>m4 |  |
| <b>Connection</b>            | 2x Lead wires                                   |   |  |
| <b>Motor</b>                 | Brushless DC, auto restart, polarity protected  |   |  |
| <b>Bearing System</b>        | Dual Ball or Sleeve                             |   |  |
| <b>Insulation Resistance</b> | 10M ohm between leadwire and frame (500VDC)     |   |  |
| <b>Dielectric Strength</b>   | 1 minute at 500 VAC, max leakage < 500 MicroAmp |   |  |
| <b>Storage Temperature</b>   | -40C ~ +80C                                     |   |  |

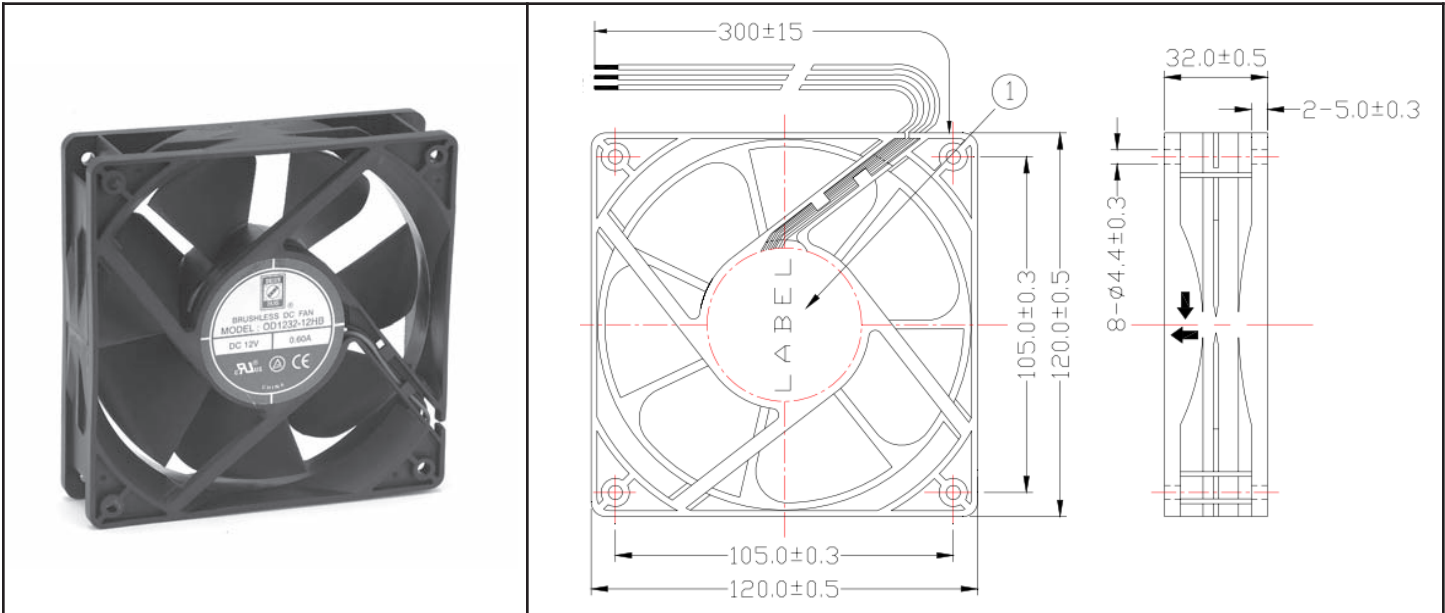
| Model Number | Speed (RPM) | Airflow (CFM) | Noise (dB) | Volts DC | Voltage Range | Amps | Max. Static Pressure (\"H <sub>2</sub> O) |
|--------------|-------------|---------------|------------|----------|---------------|------|---|
| OD1232-12H * | 3750        | 120           | 51         | 12       | 6~13.8        | 0.60 | 0.42                                      |
| OD1232-12M * | 3300        | 107           | 48         | 12       | 6~13.8        | 0.50 | 0.33                                      |
| OD1232-12L * | 2900        | 93            | 44         | 12       | 6~13.8        | 0.32 | 0.27                                      |
| OD1232-24H * | 3750        | 120           | 51         | 24       | 12~27.8       | 0.28 | 0.42                                      |
| OD1232-24M * | 3300        | 107           | 48         | 24       | 12~27.8       | 0.22 | 0.33                                      |
| OD1232-24L * | 2900        | 93            | 44         | 24       | 12~27.8       | 0.22 | 0.27                                      |
| OD1232-48H * | 3750        | 120           | 51         | 48       | 24~55.2       | 0.16 | 0.42                                      |
| OD1232-48M * | 3300        | 107           | 48         | 48       | 24~55.2       | 0.15 | 0.33                                      |
| OD1232-48L * | 2900        | 93            | 44         | 48       | 24~55.2       | 0.13 | 0.27                                      |

\* Indicate "B" to specify Ball bearing or "S" to specify Sleeve bearing

# OD1232-24MB02A



DC Fan, 24VDC  
120x32mm (4.7.62x1.25in)



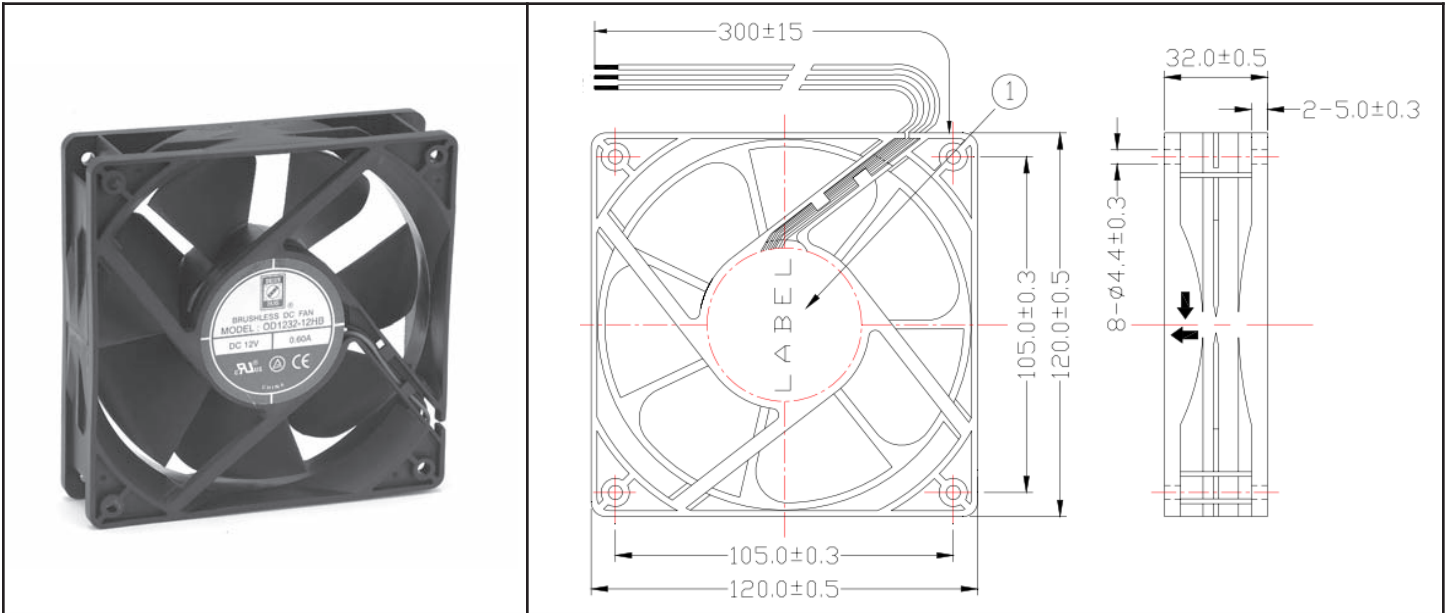
|                       |   |   |  |
|-----------------------|---|---|--|
| Frame & Impeller      | PBT, UL94V-0 plastic                            | <b>Available Options</b><br>IP55<br>Other speeds and voltages<br>Tachometer<br>PWM<br><br>*Connection:<br>Wire Leads - UL1007<br>24AWG Red(+), Black(-),<br>Yellow Alarm<br><br>Weight: 250 g |  |
| Connection            | 3x Lead wires *                                 |   |  |
| Motor                 | Brushless DC, auto restart, polarity protected. |   |  |
| Bearing System        | Dual ball bearing                               |   |  |
| Insulation Resistance | Min. 10M at 500VDC                              |   |  |
| Dielectric Strength   | 1 second at 500VAC max leakage 500 microamp     |   |  |
| Temperature Range     | -10C ~ +70C                                     |   |  |
| Storage Temperature   | -40C ~ +80C                                     |   |  |
| Life (L10)            | 70,000 hours (40C)                              |   |  |

|                      |                       |  |
|----------------------|-----------------------|--|
| Model Number         | OD1232-24MB02A        |  |
| Part Number          | 124231231             |  |
| Nominal Voltage      | 24 VDC                |  |
| Voltage Range        | 12~27.6 VDC           |  |
| Nominal Current      | .22 A                 |  |
| Rated Power          | 5.28Watts             |  |
| Rated Speed (RPM)    | 3300                  |  |
| Airflow (CFM)        | 107                   |  |
| Noise Level (dB)     | 48                    |  |
| Max. Static Pressure | .33 "H <sub>2</sub> O |  |
|                      |                       |  |

# OD1232-48MB02A



DC Fan, 48VDC  
120x32mm (4.7.62x1.25in)



|                       |   |   |  |
|-----------------------|---|---|--|
| Frame & Impeller      | PBT, UL94V-0 plastic                            | <b>Available Options</b><br>IP55<br>Other speeds and voltages<br>Tachometer<br>PWM<br><br>*Connection:<br>Wire Leads - UL1007<br>24AWG Red(+), Black(-),<br>Yellow Alarm<br><br>Weight: 250 g |  |
| Connection            | 3x Lead wires *                                 |   |  |
| Motor                 | Brushless DC, auto restart, polarity protected. |   |  |
| Bearing System        | Dual ball bearing                               |   |  |
| Insulation Resistance | Min. 10M at 500VDC                              |   |  |
| Dielectric Strength   | 1 second at 500VAC max leakage 500 microamp     |   |  |
| Temperature Range     | -10C ~ +70C                                     |   |  |
| Storage Temperature   | -40C ~ +80C                                     |   |  |
| Life (L10)            | 70,000 hours (40C)                              |   |  |

|                      |                       |  |
|----------------------|-----------------------|--|
| Model Number         | OD1232-48MB02A        |  |
| Part Number          | 124431231             |  |
| Nominal Voltage      | 48 VDC                |  |
| Voltage Range        | 24~55.2 VDC           |  |
| Nominal Current      | .15 A                 |  |
| Rated Power          | 7.2 Watts             |  |
| Rated Speed (RPM)    | 3300                  |  |
| Airflow (CFM)        | 107                   |  |
| Noise Level (dB)     | 48                    |  |
| Max. Static Pressure | .33 "H <sub>2</sub> O |  |
|                      |                       |  |