



OD1232 Series

DC Fan - 12V, 24V, 48V
120 x 32mm (4.7.62 x 1.25in)



| Model # | Pg # | Voltage | RPM | CFM | Noise Level | Max Static Pressure |
|----------------|------|---------|------|-----|-------------|----------------------|
| OD1232-12H | 2 | 12 VDC | 3750 | 120 | 51 dB | .42 H ₂ O |
| OD1232-12M | 2 | 12 VDC | 3300 | 107 | 48 dB | .33 H ₂ O |
| OD1232-12L | 2 | 12 VDC | 2900 | 93 | 44 dB | .27 H ₂ O |
| OD1232-24H | 2 | 24 VDC | 3750 | 120 | 51 dB | .42 H ₂ O |
| OD1232-24M | 2 | 24 VDC | 3300 | 107 | 48 dB | .33 H ₂ O |
| OD1232-24L | 2 | 24 VDC | 2900 | 93 | 44 dB | .27 H ₂ O |
| OD1232-48H | 2 | 48 VDC | 3750 | 120 | 51 dB | .42 H ₂ O |
| OD1232-48M | 2 | 48 VDC | 3300 | 107 | 48 dB | .33 H ₂ O |
| OD1232-48L | 2 | 48 VDC | 2900 | 93 | 44 dB | .27 H ₂ O |
| OD1232-24MB02A | 3 | 24 VDC | 3300 | 107 | 48 dB | .33 H ₂ O |
| OD1232-48MB02A | 4 | 48 VDC | 3300 | 107 | 48 dB | .33 H ₂ O |

OD1232 Series



DC Fan - 12, 24, 48V
120x32mm (4.7"x 1.25")



| | | | |
|------------------------------|---|---|--|
| Frame & Impeller | PBT, UL94V-0 plastic | Available Options: Tachometer (FG) Alarm (RD) Thermal Speed Control PWM Input <u>Life Expectancy (L10)</u> Ball Bearing 60,000 hours (L10 at 40C) Sleeve Bearing 30,000 hours (L10 at 40C) <u>Operating Temperature</u> Ball Bearing -20C ~ +75C Sleeve Bearing -10C ~ +50C Weight: ~0.47 lbs m4 | |
| Connection | 2x Lead wires | | |
| Motor | Brushless DC, auto restart, polarity protected | | |
| Bearing System | Dual Ball or Sleeve | | |
| Insulation Resistance | 10M ohm between leadwire and frame (500VDC) | | |
| Dielectric Strength | 1 minute at 500 VAC, max leakage < 500 MicroAmp | | |
| Storage Temperature | -40C ~ +80C | | |

| Model Number | Speed (RPM) | Airflow (CFM) | Noise (dB) | Volts DC | Voltage Range | Amps | Max. Static Pressure (\"H ₂ O) |
|--------------|-------------|---------------|------------|----------|---------------|------|---|
| OD1232-12H * | 3750 | 120 | 51 | 12 | 6~13.8 | 0.60 | 0.42 |
| OD1232-12M * | 3300 | 107 | 48 | 12 | 6~13.8 | 0.50 | 0.33 |
| OD1232-12L * | 2900 | 93 | 44 | 12 | 6~13.8 | 0.32 | 0.27 |
| OD1232-24H * | 3750 | 120 | 51 | 24 | 12~27.8 | 0.28 | 0.42 |
| OD1232-24M * | 3300 | 107 | 48 | 24 | 12~27.8 | 0.22 | 0.33 |
| OD1232-24L * | 2900 | 93 | 44 | 24 | 12~27.8 | 0.22 | 0.27 |
| OD1232-48H * | 3750 | 120 | 51 | 48 | 24~55.2 | 0.16 | 0.42 |
| OD1232-48M * | 3300 | 107 | 48 | 48 | 24~55.2 | 0.15 | 0.33 |
| OD1232-48L * | 2900 | 93 | 44 | 48 | 24~55.2 | 0.13 | 0.27 |

* Indicate "B" to specify Ball bearing or "S" to specify Sleeve bearing

OD1232-24MB02A



DC Fan, 24VDC
120x32mm (4.7.62x1.25in)



| | | | |
|-----------------------|---|---|--|
| Frame & Impeller | PBT, UL94V-0 plastic | Available Options IP55 Other speeds and voltages Tachometer PWM *Connection: Wire Leads - UL1007 24AWG Red(+), Black(-), Yellow Alarm Weight: 250 g | |
| Connection | 3x Lead wires * | | |
| Motor | Brushless DC, auto restart, polarity protected. | | |
| Bearing System | Dual ball bearing | | |
| Insulation Resistance | Min. 10M at 500VDC | | |
| Dielectric Strength | 1 second at 500VAC max leakage 500 microamp | | |
| Temperature Range | -10C ~ +70C | | |
| Storage Temperature | -40C ~ +80C | | |
| Life (L10) | 70,000 hours (40C) | | |

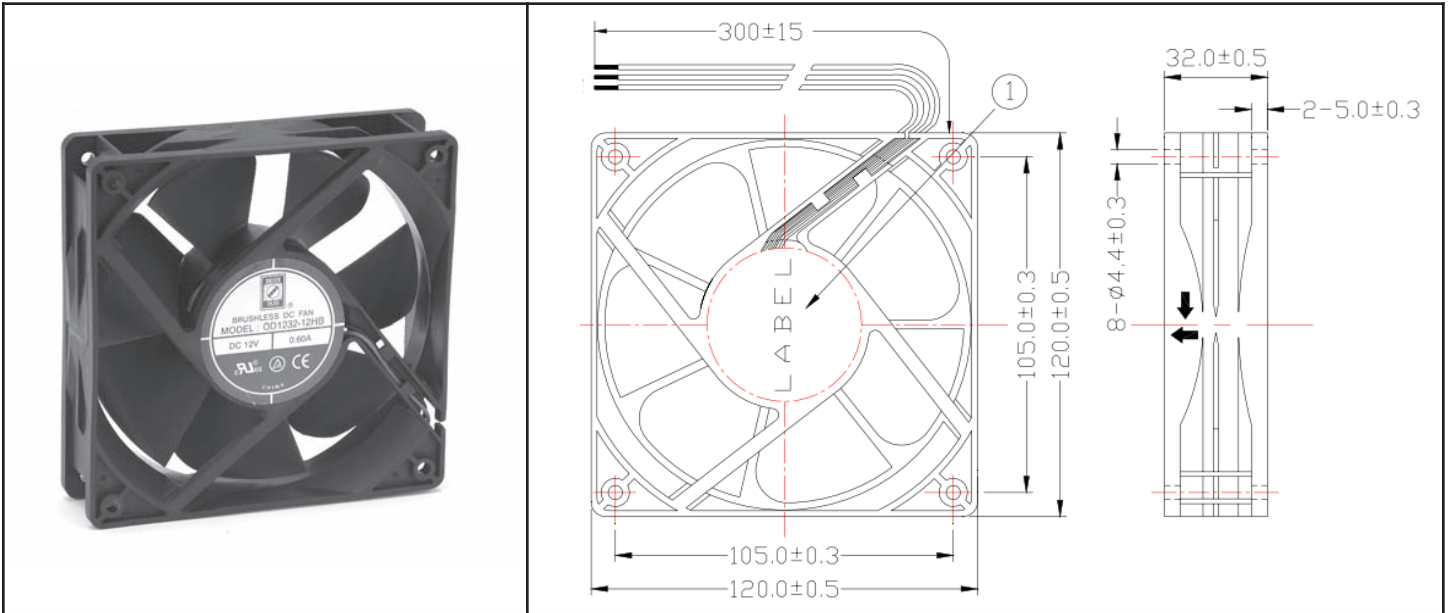
| | | |
|----------------------|-----------------------|--|
| Model Number | OD1232-24MB02A | |
| Part Number | 124231231 | |
| Nominal Voltage | 24 VDC | |
| Voltage Range | 12~27.6 VDC | |
| Nominal Current | .22 A | |
| Rated Power | 5.28Watts | |
| Rated Speed (RPM) | 3300 | |
| Airflow (CFM) | 107 | |
| Noise Level (dB) | 48 | |
| Max. Static Pressure | .33 "H ₂ O | |
| | | |

OD1232-48MB02A



DC Fan, 48VDC

120x32mm (4.7.62x1.25in)



| | | | |
|-----------------------|---|--|--|
| Frame & Impeller | PBT, UL94V-0 plastic | Available Options IP55 Other speeds and voltages Tachometer PWM *Connection: Wire Leads - UL1007 24AWG Red(+), Black (-), Yellow Alarm Weight: 250 g | |
| Connection | 3x Lead wires * | | |
| Motor | Brushless DC, auto restart, polarity protected. | | |
| Bearing System | Dual ball bearing | | |
| Insulation Resistance | Min. 10M at 500VDC | | |
| Dielectric Strength | 1 second at 500VAC max leakage 500 microamp | | |
| Temperature Range | -10C ~ +70C | | |
| Storage Temperature | -40C ~ +80C | | |
| Life (L10) | 70,000 hours (40C) | | |

| | | |
|----------------------|-----------------------|--|
| Model Number | OD1232-48MB02A | |
| Part Number | 124431231 | |
| Nominal Voltage | 48 VDC | |
| Voltage Range | 24~55.2 VDC | |
| Nominal Current | .15 A | |
| Rated Power | 7.2 Watts | |
| Rated Speed (RPM) | 3300 | |
| Airflow (CFM) | 107 | |
| Noise Level (dB) | 48 | |
| Max. Static Pressure | .33 "H ₂ O | |
| | | |