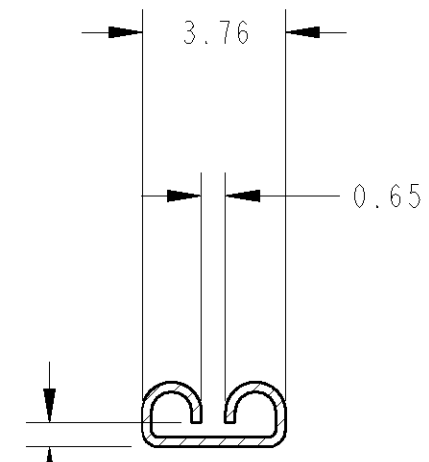
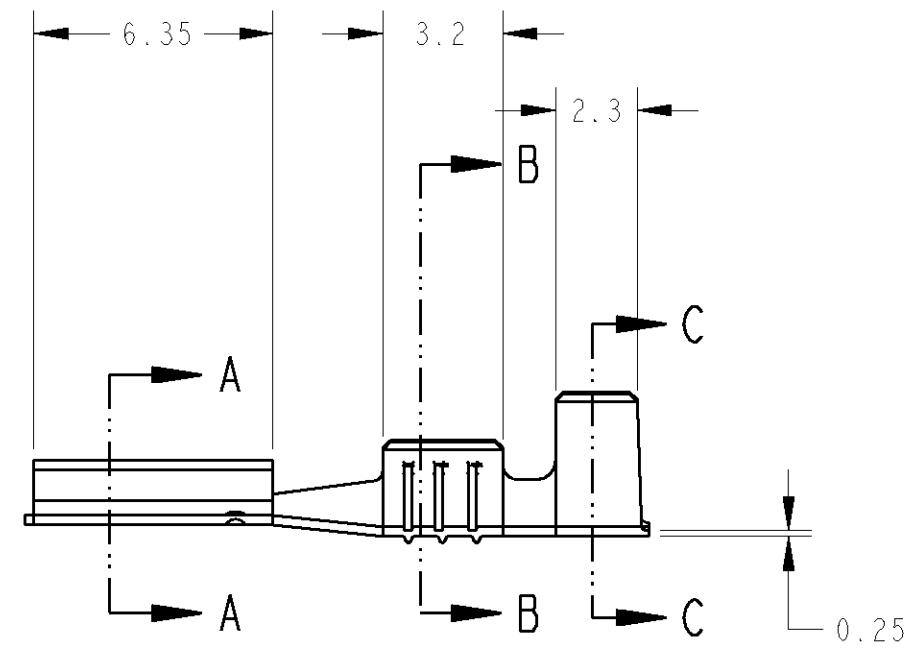


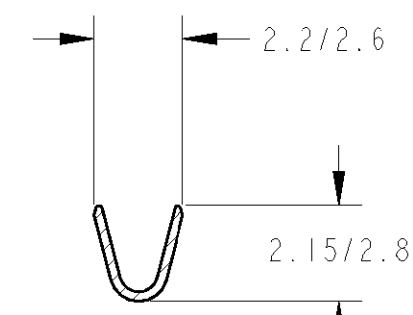
THIS DRAWING IS UNPUBLISHED. RELEASED FOR PUBLICATION
 © COPYRIGHT ALL RIGHTS RESERVED.

| LOC | DIST | REVISIONS | | | |
|-----|---------|------------------------------|---------|-----------|-----------|
| P | LTR REV | DESCRIPTION MODIFICATIONS | DATE | DWN DESS. | APVD APP. |
| F | 7 | A2 REVISED PER ECO-11-005140 | 01APR11 | RK | HMR |

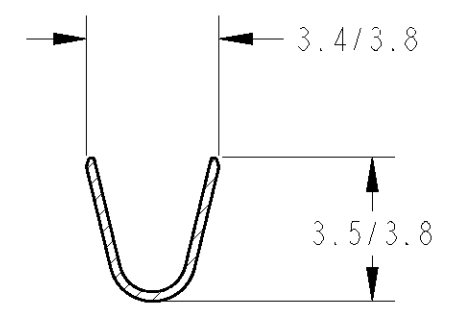


Entre-fer pour languette 2.8 x 0.8
 Gap for tab 2.8 x 0.8 series.

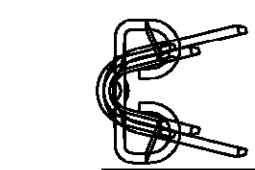
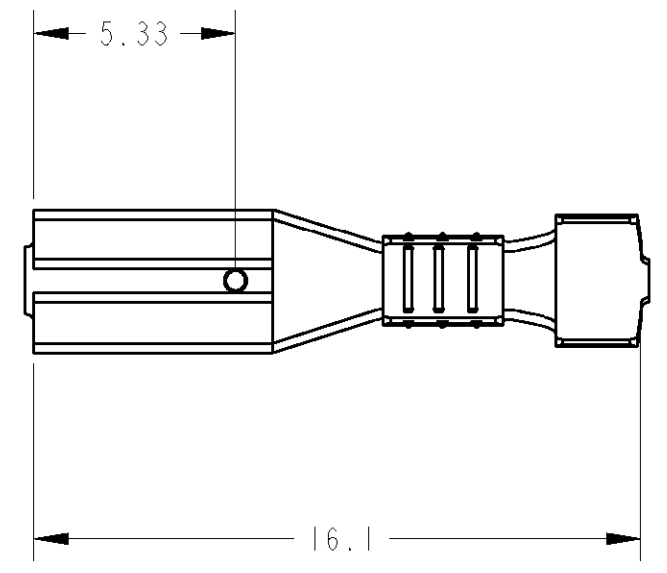
COUPE A-A



COUPE B-B



COUPE C-C



2

| DIA. ISOLANT | SECTION mm2 | Ep. TAB | FINITION | MATIERE | REFERENCE VRAC PREFORME | REFERENCE VRAC | REFERENCE |
|--------------|-------------|---------|------------|---------|-------------------------|----------------|---------------------|
| 1.5 2.5 | 0.3 1 | 0.8 | POST ETAME | LAITON | 141287-3 | / | 140825-3 |
| 1.5 2.5 | 0.3 1 | 0.8 | PRE ETAME | LAITON | 141287-2 | 140852-2 | 140825-2 |
| 1.5 2.5 | 0.3 1 | 0.8 | BRUT | LAITON | 141287-1 | 140852-1 | 140825-1 |

1 PRODUIT LIVRE EN BANDE, PAS 17.9±0.1.
 CONTINUOUS STRIP ON REEL, FEED 17.9±0.1.

2 OBSOLETE PARTS: OBSOLETE CIS STREAMLINING PER D.RENAUD/D.SINISI

| | | | | | | | | | |
|---|--|--|--|---|--|--|--|---|--|
| DIMENSIONS: mm | | TOLERANCES UNLESS OTHERWISE SPECIFIED: (SUIV NB DE DECIMALES): 0 PLC / DEC: ± 1 PLC / DEC: ±0.5 2 PLC / DEC: ±0.13 3 PLC / DEC: ±0.013 4 PLC / DEC: ±0.0001 ANGLES ± | | DWN / DESSINE 09DEC97 Gérard ROBERT CHK / VERIFIE 09DEC97 Gérard ROBERT APVD / APPROUVE 09DEC97 Yves PETRONIN PRODUCT SPEC SPEC. PRODUIT APPLICATION SPEC SPEC. APPLICATION 114-35000 | | TE Connectivity .110 SERIES RECEPTACLE, FASTON | | SIZE FORMAT A3 CAGE CODE 00779 DRAWING NO No PLAN C-140825 RESTRICTED TO RESERVE A | |
| MATERIAL MATIERE VOIR TABLEAU FINISH FINITION VOIR TABLEAU | | WEIGHT MASSE APPROX. - | | CUSTOMER DRAWING / PLAN CLIENT UNIQUEMENT POUR REFERENCE | | SCALE ECHELLE 5:1 SHEET FEUILLE OF DE | | REV A2 | |